

ABB DRIVES FOR HVAC

ACH480 drives

Hardware manual



ACH480 drives

Hardware manual

Table of contents



1. Safety instructions



4. Mechanical installation



6. Electrical installation – IEC



7. Electrical installation – North America



Table of contents

1 Safety instructions

Contents of this chapter	15
Use of warnings and notes	15
General safety in installation, start-up and maintenance	16
Electrical safety in installation, start-up and maintenance	17
Electrical safety precautions	17
Additional instructions and notes	18
Printed circuit boards	18
Grounding	18
General safety in operation	20
Additional instructions for permanent magnet motor drives	20
Safety in installation, start-up, maintenance	20
Safety in operation	21

2 Introduction to the manual

Contents of this chapter	23
Applicability	23
Target audience	23
Categorization by frame size	23
Quick installation and commissioning flowchart	24
Terms and abbreviations	25
Related manuals	26

3 Operation principle and hardware description

Contents of this chapter	29
Operation principle	29
Simplified main circuit diagram	30
Product variants	30
IEC and UL (NEC) product types	30
Layout	31
Control connections	32
Standard unit	32
Base unit	33
Option modules	33
Control panel options	34
UL Type 1 kits	34
Type designation label	35



6 Table of contents

Type designation key	36
Basic code	36
Option (plus) codes	36

4 Mechanical installation

Contents of this chapter	39
Installation alternatives	39
Examining the installation site	40
Required tools	40
Unpacking the delivery	41
Installing the drive	41
To install the drive with screws	41
To install the drive to a DIN installation rail	42

5 Guidelines for planning the electrical installation

Contents of this chapter	45
Limitation of liability	45
Selecting the main supply disconnecting device	45
European Union	45
North America	46
Other regions	46
Selecting the main contactor	46
Checking the compatibility of the motor and drive	46
Selecting the power cables	46
General guidelines	46
Typical power cable sizes	47
Power cable types	48
Preferred power cable types	48
Alternate power cable types	49
Not allowed power cable types	50
Additional guidelines, North America	50
Metal conduit	51
Power cable shield	51
Selecting the control cables	52
Shielding	52
Signals in separate cables	52
Signals that can be run in the same cable	52
Relay cable	52
Control panel to drive cable	52
PC tool cable	52
Routing the cables	53
General guidelines – IEC	53
General guidelines – North America	53



Continuous motor cable shield/conduit or enclosure for equipment on the motor cable	54
Separate control cable ducts	55
Implementing short-circuit and thermal overload protection	55
Protecting the drive and input power cable in short-circuits	55
Protecting the motor and motor cable in short-circuits	55
Protecting the drive, and the input power and motor cables against thermal overload	55
Protecting the motor against thermal overload	56
Protecting the motor against overload without thermal model or temperature sensors	56
Implementing a motor temperature sensor connection	56
Protecting the drive against ground faults	57
Residual current device compatibility	57
Implementing the Emergency stop function	57
Implementing the Safe torque off function	58
Using a safety switch between the drive and the motor	58
Implementing the control of a contactor between drive and motor	58
Protecting the contacts of relay outputs	58

6 *Electrical installation – IEC*

Contents of this chapter	61
Warnings	61
Required tools	61
Measuring the insulation	62
Measuring the insulation of the drive	62
Measuring the insulation of the input power cable	62
Measuring the insulation of the motor and motor cable	62
Measuring the insulation of the brake resistor circuit	63
Earthing system compatibility check – IEC	63
EMC filter	64
Ground-to-phase varistor	64
When to disconnect EMC filter or ground-to-phase varistor	64
Disconnecting the EMC filter or ground-to-phase varistor	66
EMC/VAR screw location	66
Guidelines for installing the drive to a TT system	67
Identifying the earthing system of the electrical power network	67
Connecting the power cables – IEC (shielded cables)	69
Connection diagram	69
Connection procedure	70
Connecting the control cables	72
Default I/O connection diagrams (HVAC default)	72
Default fieldbus connection diagram	74
Control cable connection procedure	75



Additional information on the control connections	75
Connecting EIA-485 fieldbus cable to the drive	75
PNP configuration for digital inputs	76
NPN configuration for digital inputs	77
Connection for obtaining 0 ... 10 V from analog output 2 (AO2)	77
Connection examples of two-wire and three-wire sensors	78
AI and AO (or AI, DI and +10 V) as PTC motor temperature sensor interface	78
AI1 and AI2 as Pt100, Pt1000, Ni1000, KTY83 and KTY84 sensor inputs	80
Safe torque off	81
Auxiliary voltage connection	81
Connecting a PC	82
Installing options	82
Installing a front option	83
Installing a side option	84



7 Electrical installation – North America

Contents of this chapter	87
Warnings	87
Required tools	87
Measuring the insulation	88
Measuring the insulation of the drive	88
Measuring the insulation of the input power cable	88
Measuring the insulation of the motor and motor cable	88
Measuring the insulation of the brake resistor circuit	89
Earthing system compatibility check – North America	89
EMC filter	90
Ground-to-phase varistor	90
When to disconnect ground-to-phase varistor, or connect EMC filter	90
Disconnecting the ground-to-phase varistor, or connecting the EMC filter ...	92
EMC/VAR screw location	92
Guidelines for installing the drive to a TT system	93
Identifying the earthing system of the electrical power network	93
Connecting the power cables – North America (wiring in conduits)	94
Connection diagram	95
Connection procedure	95
Connecting the control cables	96
Default I/O connection diagrams (HVAC default)	96
Default fieldbus connection diagram	98
Control cable connection procedure	99
Additional information on the control connections	100
Connecting EIA-485 fieldbus cable to the drive	100
PNP configuration for digital inputs	101
NPN configuration for digital inputs	101

Connection for obtaining 0 ... 10 V from analog output 2 (AO2)	102
Connection examples of two-wire and three-wire sensors	102
AI and AO (or AI, DI and +10 V) as PTC motor temperature sensor interface	103
AI1 and AI2 as Pt100, Pt1000, Ni1000, KTY83 and KTY84 sensor inputs	104
Safe torque off	105
Auxiliary voltage connection	105
Connecting a PC	106
Installing options	106
Installing a front option	107
Installing a side option	108
8 Installation checklist of the drive	
Contents of this chapter	111
Checklist	111
9 Maintenance	
Contents of this chapter	115
Maintenance intervals	115
Cleaning the heatsink	116
Replacing the cooling fans	117
To replace the cooling fan for frame sizes R1, R2 and R3	117
To replace the cooling fan for frame R4	119
Capacitors	121
Reforming the capacitors	121
10 Technical data	
Contents of this chapter	123
Electrical ratings	123
IEC ratings	123
UL (NEC) ratings	124
Definitions	125
Sizing	125
Output derating	125
Surrounding air temperature derating	128
Altitude derating	128
Switching frequency derating	128
Fuses	130
IEC fuses	130
gG fuses (IEC)	130
gR fuses (IEC)	131



UL (NEC) fuses	131
UL (NEC) fuse alternatives	132
Alternate short-circuit protection	134
Miniature circuit breakers (IEC)	134
Manual self-protected combination motor controller – Type E USA (UL (NEC))	135
Dimensions and weights	137
Free space requirements	138
Losses, cooling data and noise	138
Typical power cable sizes	139
Terminal data for the power cables	140
Terminal data for the control cables	141
External EMC filters	142
Electrical power network specification	143
Motor connection data	143
Motor cable length	144
Operational functionality and motor cable length	144
EMC compatibility and motor cable length	144
Brake resistor connection data	145
Control connection data	145
Efficiency	146
Protection classes	146
Ambient conditions	146
Materials	147
Disposal	147
Applicable standards	148
Markings	148
EMC compliance (IEC/EN 61800-3:2004 + A1:2012)	149
Definitions	149
Category C1	150
Category C2	150
Category C3	151
Category C4	151
UL checklist	152
Disclaimers	153
Generic disclaimer	153
Cybersecurity disclaimer	154

11 Dimension drawings

Contents of this chapter	155
Frame R1	156
Frame R1 (front & side) - IP20 / UL open type	156
Frame R1 (bottom & rear) - IP20 / UL open type	157
Frame R1 (front & side) - UL Type 1 kit installed	158
Frame R1 (bottom & rear) - UL Type 1 kit installed	159



Frame R2	160
Frame R2 (front & side) - IP20 / UL open type	160
Frame R2 (bottom & rear) - IP20 / UL open type	161
Frame R2 (front & side) - UL Type 1 kit installed	162
Frame R2 (bottom & rear) - UL Type 1 kit installed	163
Frame R3	164
Frame R3 (front & side) - IP20 / UL open type	164
Frame R3 (bottom & rear) - IP20 / UL open type	165
Frame R3 (front & side) - UL Type 1 kit installed	166
Frame R3 (bottom & rear) - UL Type 1 kit installed	167
Frame R4	168
Frame R4 (front & side) - IP20 / UL open type	168
Frame R4 (bottom & rear) - IP20 / UL open type	169
Frame R4 (front & side) - UL Type 1 kit installed	170
Frame R4 (bottom & rear) - UL Type 1 kit installed	171

12 Resistor braking

Contents of this chapter	173
Safety	173
Operation principle	173
Selecting the brake resistor	173
Reference brake resistors	175
Definitions	176
Selecting and routing the brake resistor cables	176
Minimizing electromagnetic interference	176
Maximum cable length	176
Placing the brake resistors	176
Protecting the system in brake circuit fault situations	177
Protecting the system in cable and brake resistor short-circuit situations	177
Protecting the system against thermal overload	177
Mechanical and electrical installation of brake resistor	178
Mechanical installation	178
Electrical installation	179
Measuring the insulation	179
Connecting power cables	179
Connection the control cables	179
Start-up	179

13 The Safe torque off function

Contents of this chapter	181
Description	181
Compliance with the European Machinery Directive	182



Wiring	183
Connection principle	183
Single ACH480 drive, internal power supply	183
Single ACH480 drive, external power supply	184
Wiring examples	185
Single ACH480 drive, internal power supply	185
Single ACH480 drive, external power supply	185
Multiple ACH480 drives, internal power supply	186
Multiple ACH480 drives, external power supply	187
Activation switch	187
Cable types and lengths	188
Grounding of protective shields	188
Operation principle	189
Start-up including acceptance test	190
Competence	190
Acceptance test reports	190
Acceptance test procedure	190
Use	192
Maintenance	193
Competence	193
Fault tracing	194
Safety data	195
Abbreviations	196
TÜV certificate	197
Declaration of conformity	198

14 BAPO-01 auxiliary power extension module

Contents of this chapter	199
Safety instructions	199
Hardware description	199
Layout	200
Mechanical installation	200
Electrical installation	200
Start-up	201
Technical data	201

15 BIO-01 I/O extension module

Contents of this chapter	203
Safety instructions	203
Hardware description	203
Product overview	203
Layout	204
Mechanical installation	204
Electrical installation	204



Start-up	205
Technical data	205

16 BREL-01 relay output extension module

Contents of this chapter	207
Safety instructions	207
Hardware description	207
Product overview	207
Layout	208
Mechanical installation	208
Electrical installation	208
Start-up	209
Configuration parameters	209
Technical data	211

Further information



1

Safety instructions

Contents of this chapter

This chapter contains the safety instructions which you must obey when you install, start up, operate and do maintenance work on the drive. If you ignore the safety instructions, injury, death or damage can occur.

Use of warnings and notes

Warnings tell you about conditions which can cause injury or death, or damage to the equipment. They also tell you how to prevent the danger. Notes draw attention to a particular condition or fact, or give information on a subject.

The manual uses these warning symbols:

**WARNING!**

Electricity warning tells about hazards from electricity which can cause injury or death, or damage to the equipment.

**WARNING!**

General warning tells about conditions, other than those caused by electricity, which can cause injury or death, or damage to the equipment.

**WARNING!**

Electrostatic sensitive devices warning tells you about the risk of electrostatic discharge which can cause damage to the equipment.

General safety in installation, start-up and maintenance

These instructions are for all personnel who do work on the drive.



WARNING!

Obey these instructions. If you ignore them, injury or death, or damage to the equipment can occur.

- Keep the drive in its package until you install it. After unpacking, protect the drive from dust, debris and moisture.
 - Use the required personal protective equipment: safety shoes with metal toe cap, safety glasses, protective gloves and long sleeves, etc. Some parts have sharp edges.
 - Beware of hot surfaces. Some parts, such as heatsinks of power semiconductors, and brake resistors, remain hot for a while after disconnection of the electrical supply.
 - Vacuum clean the area around the drive before the start-up to prevent the drive cooling fan from drawing the dust inside the drive.
 - Make sure that debris from drilling, cutting and grinding does not enter the drive during the installation. Electrically conductive debris inside the drive may cause damage or malfunction.
 - Make sure that there is sufficient cooling. See the technical data.
 - Before you connect voltage to the drive, make sure that all covers are in place. Do not remove the covers when voltage is connected.
 - Before you adjust the drive operation limits, make sure that the motor and all driven equipment can operate throughout the set operation limits.
 - Before you activate the automatic fault reset or automatic restart functions of the drive control program, make sure that no dangerous situations can occur. These functions reset the drive automatically and continue operation after a fault or supply break. If these functions are activated, the installation must be clearly marked as defined in IEC/EN 61800-5-1, subclause 6.5.3, for example, "THIS MACHINE STARTS AUTOMATICALLY".
 - The maximum drive power cycles is five times in ten minutes. Power cycling the drive too often can damage the charging circuit of the DC capacitors.
 - If you have connected safety circuits to the drive (for example, Safe torque off or emergency stop), validate them at start-up. See separate instructions for the safety circuits.
 - Beware of hot air exiting from the air outlets.
 - Do not cover the air inlet or outlet when the drive is running.
-



Note:

- If you select an external source for the start command and it is on, the drive will start immediately after fault reset unless you configure the drive for pulse start. See the firmware manual.
- Only authorized persons are allowed to repair a malfunctioning drive.

Electrical safety in installation, start-up and maintenance■ **Electrical safety precautions**

These electrical safety precautions are for all personnel who do work on the drive, motor cable or motor.

**WARNING!**

Obey these instructions. If you ignore them, injury or death, or damage to the equipment can occur.

If you are not a qualified electrical professional, do not do installation or maintenance work.

Go through these steps before you begin any installation or maintenance work.

1. Clearly identify the work location and equipment.
2. Disconnect all possible voltage sources. Make sure that re-connection is not possible. Lock out and tag out.
 - Open the main disconnecting device of the drive.
 - If you have a permanent magnet motor connected to the drive, disconnect the motor from the drive with a safety switch or by other means.
 - Disconnect any dangerous external voltages from the control circuits.
 - After you disconnect power from the drive, always wait 5 minutes to let the intermediate circuit capacitors discharge before you continue.
3. Protect any other energized parts in the work location against contact.
4. Take special precautions when close to bare conductors.
5. Measure that the installation is de-energized.
 - Use a multimeter with an impedance greater than 1 Mohm.
 - Make sure that the voltage between the drive input power terminals (L1, L2, L3) and the grounding (PE) busbar is close to 0 V.
 - Make sure that the voltage between the drive output terminals (T1/U, T2/V, T3/W) and the grounding (PE) busbar is close to 0 V.
 - Make sure that the voltage between the drive DC terminals (R+/UDC+ and UDC-) and the grounding terminal (PE) is close to 0 V.



6. Install temporary grounding as required by the local regulations.
7. Ask the person in control of the electrical installation work for a permit to work.

■ Additional instructions and notes



WARNING!

Obey these instructions. If you ignore them, injury or death, or damage to the equipment can occur.

If you are not a qualified electrical professional, do not do installation or maintenance work.

- Make sure that the electrical power network, motor/generator, and environmental conditions agree with the drive data.
- Do not do insulation or voltage withstand tests on the drive.
- If you have a cardiac pacemaker or other electronic medical device, keep away from the area near motor, drive, and the drive power cabling when the drive is in operation. There are electromagnetic fields present which can interfere with the function of such devices. This can cause a health hazard.

Note:



- The motor cable terminals of the drive are at a dangerous voltage when the input power is on, regardless of whether the motor is running or not.
- When the input power is on, the drive DC bus is at a dangerous voltage. If brake chopper and resistor are in use, they are at a dangerous voltage.
- External wiring can supply dangerous voltages to the relay outputs of the control units of the drive.
- The Safe torque off function does not remove the voltage from the main and auxiliary circuits. The function is not effective against deliberate sabotage or misuse.

Printed circuit boards



WARNING!

Use a grounding wrist band when you handle printed circuit boards. Do not touch the boards unnecessarily. The boards contain components sensitive to electrostatic discharge.

■ Grounding

These instructions are for all personnel who are responsible for the grounding of the drive.



WARNING!

Obey these instructions. If you ignore them, injury or death, or equipment malfunction can occur, and electromagnetic interference can increase.

If you are not a qualified electrical professional, do not do grounding work.

- Always ground the drive, the motor and adjoining equipment. This is necessary for the personnel safety. Proper grounding also reduces electromagnetic emission and interference.
- Make sure that the conductivity of the protective earth (PE) conductors is sufficient. See the electrical planning instructions of the drive. Obey the local regulations.
- Connect the power cable shields to protective earth (PE) terminals of the drive to make sure of personnel safety.
- Make a 360° grounding of the power and control cable shields at the cable entries to suppress electromagnetic disturbances.
- In a multiple-drive installation, connect each drive separately to the protective earth (PE) busbar of the power supply.

Note:

- You can use power cable shields as grounding conductors only when their conductivity is sufficient.
- As the normal touch current of the drive is higher than 3.5 mA AC or 10 mA DC, you must use a fixed protective earth (PE) connection. The minimum size of the protective earth conductor must comply with the local safety regulations for high protective earth conductor current equipment. See standard IEC/EN 61800-5-1 (UL 61800-5-1) and the electrical planning instructions of the drive.
To comply with standard IEC/EN 61800-5-1 (UL 61800-5-1)
 - use a protective earth conductor with a minimum cross-sectional area of 10 mm² Cu or 16 mm² Al (as an alternative when aluminum cables are permitted),
or
 - use a second protective earth conductor of the same cross-sectional area as the original protective earth conductor,
or
 - use a device that automatically disconnects the supply if the protective earth conductor is damaged.

If the protective earth conductor is separate (that is, it does not form part of the input power cable or the input power cable enclosure), the minimum cross-sectional area must be:

- 2.5 mm² when the conductor is mechanically protected,
or
 - 4 mm² when the conductor is not mechanically protected.
-



General safety in operation

These instructions are for all personnel that operate the drive.



WARNING!

Obey these instructions. If you ignore them, injury or death, or damage to the equipment can occur.

- If you have a cardiac pacemaker or other electronic medical device, keep away from the area near motor, drive, and the drive power cabling when the drive is in operation. There are electromagnetic fields present which can interfere with the function of such devices. This can cause a health hazard.
- Give a stop command to the drive before you reset a fault. If you have an external source for the start command and the start is on, the drive will start immediately after the fault reset, unless you configure the drive for pulse start. See the firmware manual.
- Before you activate the automatic fault reset or automatic restart functions of the drive control program, make sure that no dangerous situations can occur. These functions reset the drive automatically and continue operation after a fault or supply break. If these functions are activated, the installation must be clearly marked as defined in IEC/EN 61800-5-1, subclause 6.5.3, for example, "THIS MACHINE STARTS AUTOMATICALLY".



Note:

- The maximum drive power cycles is five times in ten minutes. Power cycling the drive too often can damage the charging circuit of the DC capacitors. If you need to start or stop the drive, use the control panel keys or commands through the I/O terminals of the drive.

Additional instructions for permanent magnet motor drives

■ **Safety in installation, start-up, maintenance**

These are additional warnings concerning permanent magnet motor drives. The other safety instructions in this chapter are also valid.



WARNING!

Obey these instructions. If you ignore them, injury or death, or damage to the equipment can occur.

If you are not a qualified electrical professional, do not do installation or maintenance work.

- Do not do work on the drive when a rotating permanent magnet motor is connected to it. A rotating permanent magnet motor energizes the drive including its input and output power terminals.
-

Before installation, start-up and maintenance work on the drive:

- Stop the drive.
- Disconnect the motor from the drive with a safety switch or by other means.
- If you cannot disconnect the motor, make sure that the motor cannot rotate during work. Make sure that no other system, like hydraulic crawling drives, can rotate the motor directly or through any mechanical connection like belt, nip, rope, etc.
- Do the steps in section [Electrical safety precautions \(page 17\)](#).
- Measure that the installation is de-energized.
 - Use a multimeter with an impedance greater than 1 Mohm.
 - Make sure that the voltage between the drive input power terminals (L1, L2, L3) and the grounding (PE) busbar is close to 0 V.
 - Make sure that the voltage between the drive output terminals (T1/U, T2/V, T3/W) and the grounding (PE) busbar is close to 0 V.
 - Make sure that the voltage between the drive DC terminals (R+/UDC+ and UDC-) and the grounding terminal (PE) is close to 0 V.
- Install temporary grounding to the drive output terminals (T1/U, T2/V, T3/W). Connect the output terminals together as well as to the PE.

During the start up:

- Make sure that the motor cannot run overspeed, for example, driven by the load. Motor overspeed causes overvoltage that can damage or destroy the capacitors in the intermediate circuit of the drive.



■ Safety in operation



WARNING!

Make sure that the motor cannot run overspeed, for example, driven by the load. Motor overspeed causes overvoltage that can damage or destroy the capacitors in the intermediate circuit of the drive.

2

Introduction to the manual

Contents of this chapter

The chapter describes the manual: the applicability, target audience and purpose of the manual. The chapter contains a list of related manuals and a flowchart for installation and commissioning.

Applicability

This manual is applicable to ACH480 drives.

Target audience

This manual is intended for people who plan the installation, install, start up and do maintenance work on the drive, or create instructions for the end user of the drive concerning the installation and maintenance of the drive.

Read the manual before working on the drive. You are expected to know the fundamentals of electricity, wiring, electrical components and electrical schematic symbols.

Categorization by frame size

The drives are manufactured in frame sizes (for example, R1). The information that is applicable only to specific frames is identified with the frame size. The frame size is shown on the type designation label.

Quick installation and commissioning flowchart

Task	See
Identify the frame size: R1, R2, etc.	Type designation key (page 36)
Plan the installation. Check the ambient conditions, ratings and required cooling air flow.	Guidelines for planning the electrical installation (page 45) Technical data (page 123)
Unpack and check the delivery.	Unpacking the delivery (page 41)
If the supply network is not a symmetrically grounded TN-S system, make sure that the drive is compatible with the earthing system.	Earthing system compatibility check – IEC (page 63) Earthing system compatibility check – North America (page 89)
Install the drive.	Installing the drive (page 41)
Route the cables.	Routing the cables (page 53)
Measure the insulation of the input cable, motor and motor cable.	Measuring the insulation (page 62)
Connect the power cables.	Connecting the power cables – IEC (shielded cables) (page 69) Connecting the power cables – North America (wiring in conduits) (page 94)
Connect the control cables.	Connecting the control cables (page 72)
Examine the installation.	Installation checklist of the drive (page 111)
Commission the drive.	Refer to the ACH480 drives quick installation and start-up guide (3AXD50000247141 [English]) and the ACH480 HVAC control program firmware manual (3AXD50000247134 [English]) .

Terms and abbreviations

Term	Description
ACH-AP-H	Assistant control panel with Hand-Off-Auto functionality
ACH-AP-W	Assistant control panel with Hand-Off-Auto functionality and Bluetooth interface
BAPO	Optional auxiliary power extension module
BCBL-01	Optional USB to RJ45 cable
BIO-01	Optional I/O extension module. Can be installed to the drive together with a fieldbus adapter module.
Brake chopper	Conducts the surplus energy from the intermediate circuit of the drive to the brake resistor when necessary. The chopper operates when the DC link voltage exceeds a certain maximum limit. The voltage rise is typically caused by deceleration (braking) of a high inertia motor.
Brake resistor	Dissipates the drive surplus braking energy conducted by the brake chopper to heat
BREL	Optional relay output extension module
Capacitor bank	The capacitors connected to the DC link
CCA-01	Configuration adapter
CDPI-01	Communication adapter module
Control board	Circuit board in which the control program runs
DC link	DC circuit between rectifier and inverter
DC link capacitors	Energy storage which stabilizes the intermediate circuit DC voltage
Drive	Frequency converter for controlling AC motors
EFB	Embedded fieldbus
EMC	Electromagnetic compatibility
FBA	Fieldbus adapter
FBIP-21	BACnet/IP adapter module
FCAN	Optional CANopen® adapter module
FCNA-01	Optional ControlNet™ adapter module
FDNA-01	Optional DeviceNet™ adapter module
FECA-01	Optional EtherCAT® adapter module
FENA-21	Optional Ethernet adapter module for EtherNet/IP™, Modbus TCP® and PROFINET IO® protocols, 2-port
FEPL-02	Optional Ethernet POWERLINK adapter module
FMBT-21	Optional Ethernet adapter module for Modbus TCP protocol
FPBA-01	Optional PROFIBUS DP® adapter module
FPNO-21	Optional Profinet IO adapter module
Frame, frame size	Physical size of the drive or power module
FSCA-01	Optional RS-485 (Modbus/RTU) adapter
IGBT	Insulated gate bipolar transistor
Intermediate circuit	DC circuit between rectifier and inverter
Inverter	Converts direct current and voltage to alternating current and voltage.

Term	Description
Macro	A pre-defined set of default values of parameters in a drive control program.
Parameter	In the drive control program, user-adjustable operation instruction to the drive, or signal measured or calculated by the drive. In some (for example fieldbus) contexts, a value that can be accessed as an object, eg, variable, constant, or signal.
PLC	Programmable logic controller
Rectifier	Converts alternating current and voltage to direct current and voltage
RFI	Radio-frequency interference
RIIO-01	Inbuilt I/O module
SIL	Safety integrity level (1...3) (IEC 61508)
STO	Safe torque off (IEC/EN 61800-5-2)

Related manuals

Name	Code
Drive manuals and guides	
ACH480 drives hardware manual	3AXD50000245949
ACH480 quick installation and start-up guide	3AXD50000247141
ACH480 HVAC control program firmware manual	3AXD50000247134
Option manuals or guides	
ACx-AP-x assistant control panel user's manual	3AUA0000085685
DPMP-01 mounting platform for ACx-AP-x control panel	3AUA0000100140
DPMP-02/03 mounting platform for ACx-AP-x control panel	3AUA0000136205
CDPI-01/-02 panel bus adapter user's manual	3AXD50000009929
FBIP-21 BACnet/IP adapter module quick guide	3AXD50000158171
FBIP-21 BACnet/IP adapter module user's manual	3AXD50000028468
FENA-21 Ethernet adapter module quick guide	3AXD50000158522
FMBT-21 Modbus/TCP adapter module quick guide	3AXD50000158560
FMBT-21 Modbus/TCP adapter module user's manual	3AXD50000158607
FPBA-01 PROFIBUS DP adapter module quick guide	3AXD50000158188
FPBA-01 PROFIBUS DP adapter module user's manual	3AFE68573271
FPNO-21 PROFINET adapter module quick guide	3AXD50000158577
FPNO-21 PROFINET fieldbus adapter module user's manual	3AXD50000158614
FDNA-01 DeviceNet adapter module quick guide	3AXD50000158515
FDNA-01 DeviceNet adapter user's manual	3AFE68573360
FCAN-01 CANopen adapter module quick guide	3AXD50000158195
FCAN-01 CANopen adapter module user's manual	3AFE68615500
FSCA-01 RS-485 adapter module quick guide	3AXD50000158546
FSCA-01 RS-485 adapter module user's manual	3AUA0000109533
FCNA-01 ControlNet adapter module quick guide	3AXD50000158201
FCNA-01 ControlNet adapter module user's manual	3AUA0000141650

Name	Code
FECA-01 EtherCAT adapter module quick guide	3AXD50000158553
FECA-01 EtherCAT adapter module user's manual	3AUA0000068940
FEPL-02 Ethernet POWERLINK adapter module quick guide	3AXD50000158164
FEPL-02 Ethernet POWERLINK adapter module user's manual	3AUA0000123527
UL Type 1 kit for ACS380, ACH480 and ACS480 installation guide, frames R0 to R2	3AXD50000235254
UL Type 1 kit for ACS380, ACH480 and ACS480 installation guide, frames R3 to R4	3AXD50000242375
Tool and maintenance manuals	
Drive composer PC tool user's manual	3AUA0000094606
Converter module capacitor reforming instructions	3BFE64059629

You can find manuals and other product documents in PDF format on the Internet at www.abb.com/drives/documents.

The code below opens an on-line listing of the manuals applicable to this product.



[ACH480 manuals](#)

3

Operation principle and hardware description

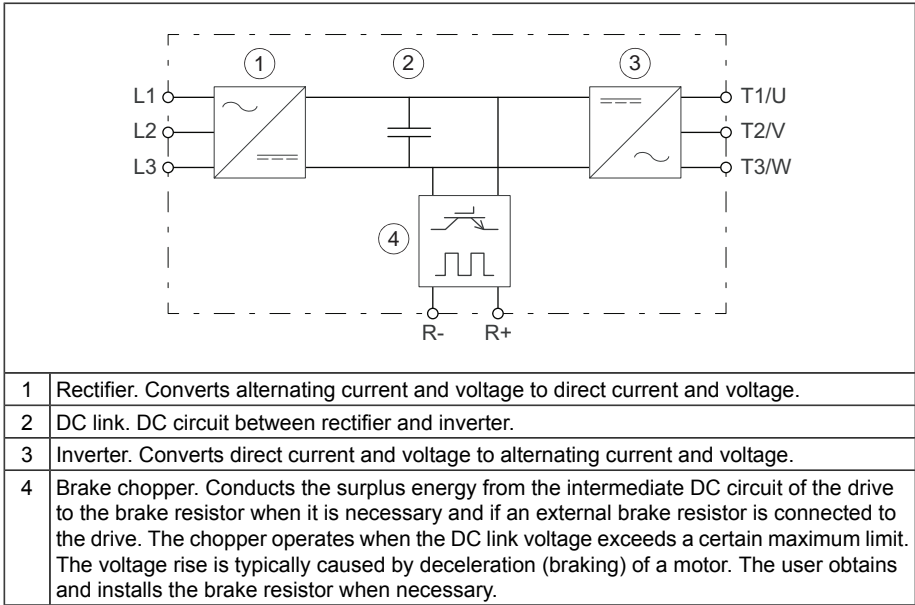
Contents of this chapter

This chapter describes the operation principle, layout, type designation label and type designation information. It shows a general diagram of the power connections and control interfaces.

Operation principle

The ACH480 is a drive for controlling asynchronous AC induction motors, permanent magnet synchronous motors and ABB synchronous reluctance motors (SynRM motors). The drive is optimized for cabinet mounting.

■ **Simplified main circuit diagram**



Product variants

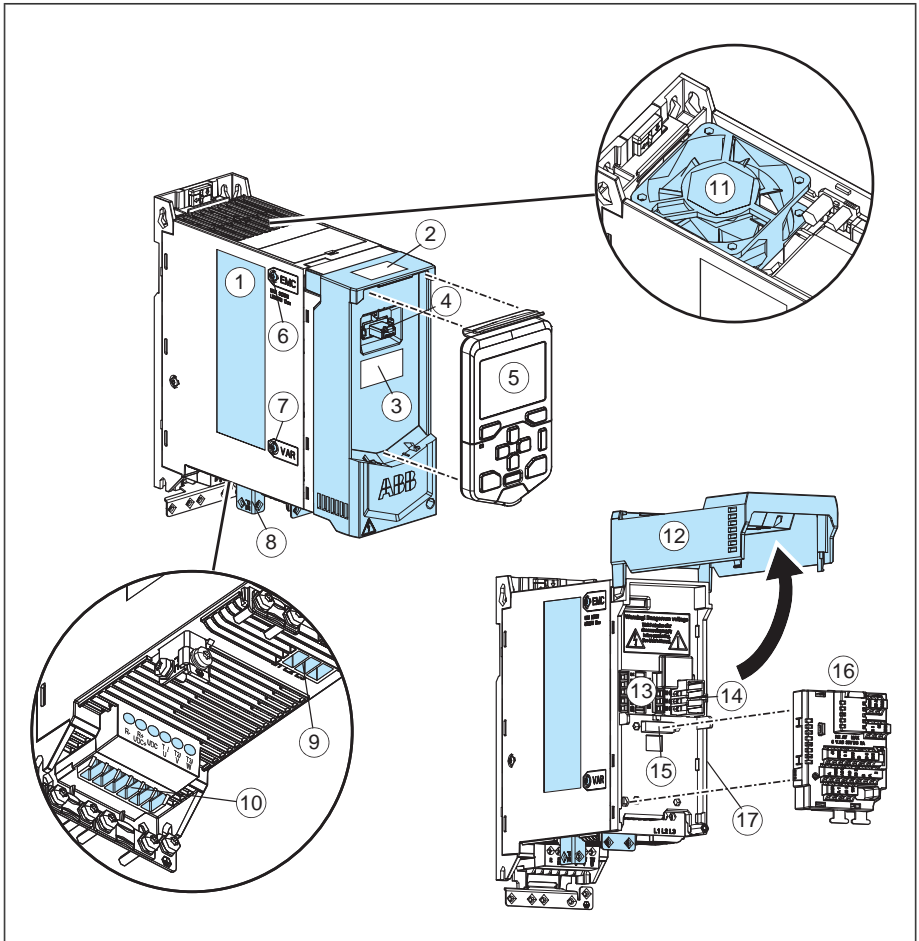
The drive has two product variants:

- Standard unit: drive (for example, ACH480-04-02A7-4) with ACH-AP-H assistant control panel and I/O & EIA-485 module (RIIO-01).
- Base unit: drive (for example, ACH480-04-02A7-4+0J400+0L540) without control panel and without I/O & EIA-485 module (RIIO-01).

■ **IEC and UL (NEC) product types**

The ACH480 series consists of IEC product types and UL (NEC) product types. The IEC types are designed for global use. The UL (NEC) types are specifically designed for use in North America.

Layout

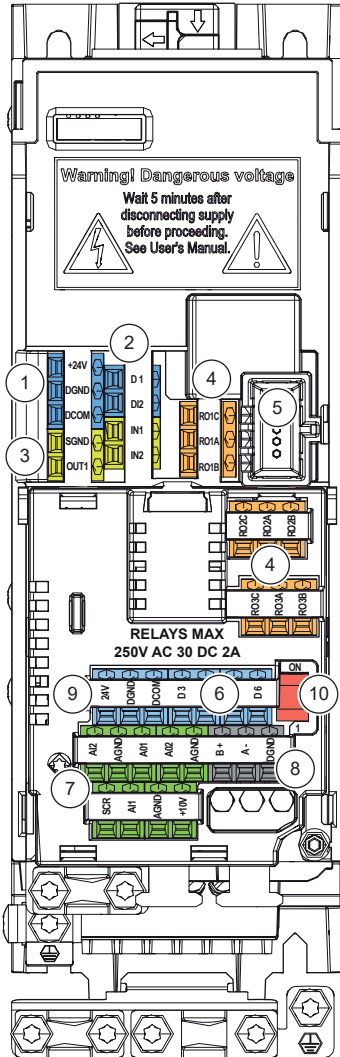


1	Type designation label	10	Motor and brake resistor terminals
2	Model information label	11	Cooling fan
3	Software information label	12	Front cover
4	Control panel connection	13	Fixed control terminals
5	Control panel	14	Cold configuration connection (CCA-01)
6	EMC filter grounding screw	15	Option slot for communication modules
7	Varistor grounding screw	16	I/O or fieldbus module
8	PE connection (motor)	17	Side option slot for side-mounted options
9	Input power terminal		

Control connections

There are fixed control connections on the base unit and optional control connections on the installed option module.

■ Standard unit



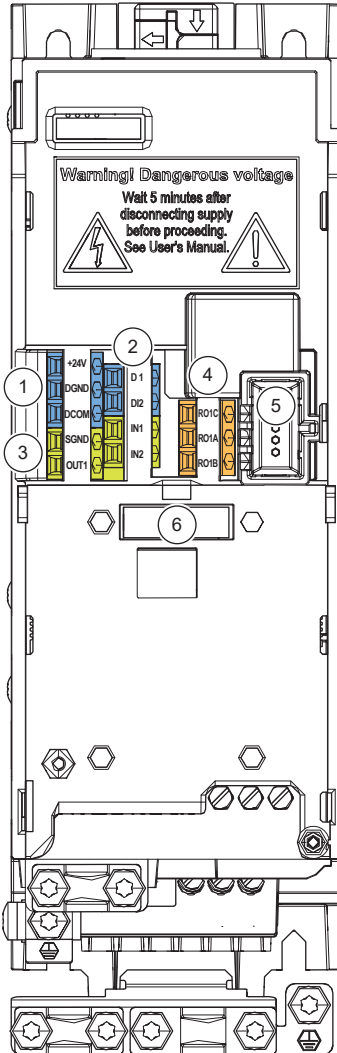
Connections of the base unit:

1. Auxiliary voltage outputs
2. Digital inputs
3. Safe torque-off connections
4. Relay output connections
5. Cold configuration connection for CCA-01

Connections of the RIIO-01 I/O & EIA-485 module:

6. Digital inputs
7. Analog inputs and outputs
8. Embedded fieldbus EIA-485 (Modbus RTU, BACnet MS/TP, N2)
9. Auxiliary voltage output
10. EIA-485 end of line termination switch

■ Base unit



Connections of the base unit:

1. Auxiliary voltage outputs
2. Digital inputs
3. Safe torque-off connections
4. Relay output connection
5. Cold configuration connection for CCA-01
6. Front option module slot 1

Option modules

The drive can be equipped with various option module(s). See [Type designation key \(page 36\)](#).

Control panel options

The drive supports these control panels:

- ACH-AP-H assistant hand-off-auto control panel
- ACH-AP-W assistant hand-off-auto control panel with Bluetooth
- RDUM-01 blank panel with RJ-45 connector
- CDPI-02 panel bus adapter (blank panel with two RJ-45 connectors for the panel bus).

In addition, you can order a control panel platform for the cabinet door installation. These panel platforms are available:

Type	Description
DPMP-01	Control panel mounting platform (flush mounting) and cable ¹⁾
DPMP-02	Control panel mounting platform (surface mounting) and cable ¹⁾
DPMP-EXT2	DPMP-02 panel mounting platform (and cable) and RDUM-01 blank panel with RJ-45 connector

¹⁾ You need also RDUM-01 blank panel, or CDPI-02 panel bus adapter to connect the panel cable at the drive end.



UL Type 1 kits

There are UL Type 1 kit options available for the drive. For more information, see:

- *UL Type 1 kit for ACS380, ACH480 and ACS480 installation guide, frames R0 to R2* (3AXD50000235254)
- *UL Type 1 kit for ACS380, ACH480 and ACS480 installation guide, frames R3 to R4* (3AXD50000242375).

Type designation label

The type designation label is located on the left side of the drive. Example labels are shown below.

Type designation label, IEC	
 Origin China Made in China ABB Oy Hiomotie 13 00380 Helsinki Finland <div style="border: 1px solid black; padding: 2px; width: fit-content;"> FRAME R1 </div> Air cooling IP20 Icc 100 kA UL open type UL type 1 with option - see manual	<p style="text-align: center;">ACH480-04-02A7-4 1</p> <p style="text-align: center;">4</p> <p>Input U1 3~ 400/480 VAC f1 50/60 Hz</p> <p>Output U2 3~ 0...U1 In 2.6/2.1 A Ild 2.5/2.1 A f2 0...599 Hz</p> <p style="text-align: center;">3</p>
Type designation label, UL (NEC)	
 Made in China <div style="border: 1px solid black; padding: 2px; width: fit-content;"> FRAME R3 </div> Air cooling IP20 SCCR 100 kA UL open type UL type 1 with option - see manual	<p style="text-align: center;">ACH480-04-014A-4 + 0J400 + 0L540 1</p> <p style="text-align: center;">4</p> <p>Input U1 3~ 400/480 VAC f1 50/60 Hz</p> <p>Output U2 3~ 0...U1 In 17/14 A Ild 16.2/14 A Ihd 12.6/11 A f2 0...500 Hz</p> <p style="text-align: center;">3</p>
1 Type designation	2 Frame (size)
3 Degree of protection	4 Nominal ratings
5 Valid markings	6 S/N: Serial number of format MYYWWXXXX, where M: Manufacturer YY: Year of manufacture: 15, 16, 17, ... for 2015, 2016, 2017, ... WW: Week of manufacture: 01, 02, 03, ... for week 1, week 2, week 3, ... XXXX: Running item number that starts each week from 0001.

Type designation key

The type designation contains information on the specifications and configuration of the drive.

Sample type code: ACH480-04-12A7-4+XXXX

■ Basic code

Code	Description
ACH480	Product series
04	Construction. 04 = Module, IP20 (UL open type) When there are no options selected: cabinet optimized module, IP20 (UL open type), ACH-AP-H assistant control panel, RIIO-01 I/O & EIA-485 module (BACnet MS/TP, Modbus RTU, N2), Safe torque off, brake chopper, coated boards, quick installation and start-up guide. For the IEC drive types also EMC category C2 filter.
12A7	Size. See the ratings table in the technical data.
4	Input voltage. • 4 = 3-phase 380 ... 480 V AC

■ Option (plus) codes

Code	Description
Control panel and panel options	
J400	ACH-AP-H control panel
J424	RDUM-01 blank cover with RJ45 connection, for remote mounting of the control panel
J429	ACH-AP-W control panel with Bluetooth
0J400	Without control panel
I/O options	
L511	BREL-01 relay output extension module
L515	BIO-01 I/O extension module (front option, can be used with fieldbus)
L534	BAPO-01 external 24 V DC power extension module (side option)
L540	RIIO-01 I/O & EIA-485 module (front option, as standard)
0L540	Base unit without RIIO-01 I/O & EIA-485 module
Fieldbus adapters	
K451	FDNA-01 DeviceNet
K454	FPBA-01 PROFIBUS DP
K457	FCAN-01 CANopen
K458	FSCA-01 Modbus/RTU
K465	FBIP-21 BACnet/IP
K469	FECA-01 EtherCAT
K470	FEPL-02 Ethernet POWERLINK
K475	FENA-21 2-port Ethernet (Ethernet/IP, Modbus/TCP, PROFINET)
K491	FMBT-21 Modbus/TCP

Code	Description
K492	FPNO-21 PROFINET
Documentation	
Full set of printed manuals in the selected language. An English manual is included, if a translation is not available.	
R700	English
R701	German
R702	Italian
R703	Dutch
R704	Danish
R705	Swedish
R706	Finnish
R707	French
R708	Spanish
R709	Portuguese (Brazil)
R711	Russian
R712	Chinese
R713	Polish
R714	Turkish

4

Mechanical installation

Contents of this chapter

The chapter tells you how to examine the installation site, unpack, check the delivery and install the drive mechanically.

Installation alternatives

You can install the drive:

- With screws on to a wall
- With screws on to an assembly plate
- On to a DIN installation rail (IEC/EN 60715, top hat type, width 35 mm [1.4 in] × height 7.5 mm [0.3 in]).

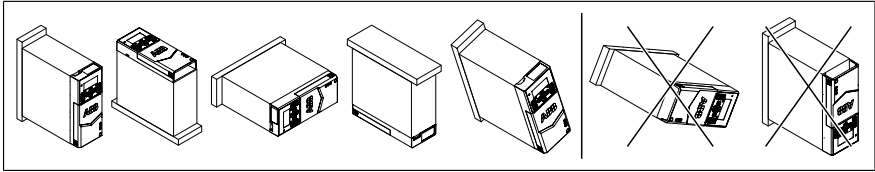
Installation requirements:

- The drive has an IP20 (UL open type) protection classification for cabinet installation. A UL Type 1 kit is available as an option.
- Make sure that there is a minimum of 75 mm (3 in) of free space at the top and bottom of the drive (at the cooling air inlet and outlet), measured from the frame. With the optional UL Type 1 kit, make sure that there is at least 50 mm (2 in) of free space at the top (measured from the top of the hood) and 75 mm (3 in) at the bottom of the drive.
- You can install several drives side by side. Note that side-mounted options require 20 mm (0.8 in) of space on the right side of the drive.



40 Mechanical installation

- You can install frames R1, R2, R3 and R4 tilted by up to 90 degrees from vertical to fully horizontal orientation.



- Make sure that the hot exhaust air from a drive does not flow into the cooling inlet of other drives or equipment.
- Drives equipped with the optional UL Type 1 kits: If you install the drives side-by-side, make sure that their air outlets do not face each other.

Examining the installation site

Examine the installation site. Make sure that:

- The installation site is sufficiently ventilated or cooled to remove heat from the drive. See the technical data.
- The ambient conditions of the drive meet the specifications. See the technical data.
- The wall behind the unit and the material above and below the unit is of non-flammable material.
- The installation surface is as close to vertical as possible and strong enough to support the drive.
- There is sufficient free space around the drive for cooling, maintenance, and operation. See the free space specifications for the drive.
- Make sure that there are no sources of strong magnetic fields such as high-current single-core conductors or contactor coils near the drive. A strong magnetic field can cause interference or inaccuracy in the operation of the drive.

Required tools

To install the drive mechanically, you need the following tools:

- a drill and suitable drill bits
- a screwdriver or wrench with a set of suitable bits
- a tape measure and spirit level
- personal protective equipment.



Unpacking the delivery

Make sure that all of the items are present and that there are no signs of damage.

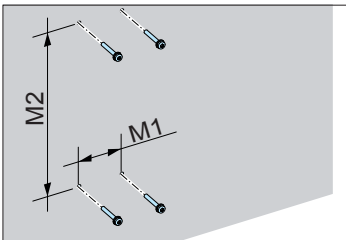
Standard drive package contents:

- Drive
- Assistant control panel (not installed)
- RIIO-01 I/O & EIA-485 module (not installed)
- Mounting template (for drives with frame size R3 or R4)
- Installation accessories (cable clamps, etc.)
- Options, if ordered with a plus code. Note that if a fieldbus adapter is ordered, it replaces the RIIO-01 I/O & EIA-485 module of the standard delivery.
- Multilingual warning sticker sheet (residual voltage warning)
- Safety instructions
- Quick installation and start-up guide
- Hardware and firmware manuals, if ordered with a plus code.

Installing the drive

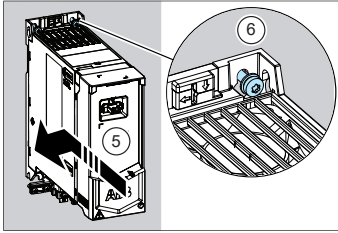
■ To install the drive with screws

1. Make marks onto the surface for the mounting holes. Use the included mounting template for frames R3 and R4. For other frames, see the dimension drawings.
2. Drill the holes for the mounting screws.
3. If necessary, install anchors or plugs into the holes.
4. Install the mounting screws into the holes. Leave a clearance between the screw head and installation surface.



5. Put the drive onto the mounting screws.
6. Tighten the mounting screws.

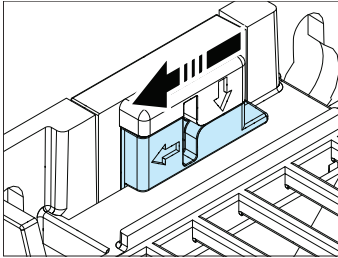




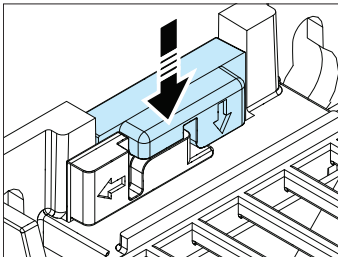
■ **To install the drive to a DIN installation rail**

Use an IEC/EN 60715 top hat type installation rail, width × height = 35 × 7.5 mm (1.4 × 0.3 in).

1. Move the locking part to the left.



2. Push and hold the locking button down.



3. Put the top tabs of the drive onto the top edge of the DIN installation rail.
4. Put the drive against the bottom edge of the DIN installation rail.
5. Release the locking button.



6. Move the locking part to the right.
7. Make sure that the drive is correctly installed.

To remove the drive, use a flat-head screwdriver to open the locking part.





5

Guidelines for planning the electrical installation

Contents of this chapter

This chapter contains guidelines for planning the electrical installation of the drive.

Limitation of liability

The installation must always be designed and made according to applicable local laws and regulations. ABB does not assume any liability whatsoever for any installation which breaches the local laws and/or other regulations. Furthermore, if the recommendations given by ABB are not followed, the drive may experience problems that the warranty does not cover.

Selecting the main supply disconnecting device

You must equip the drive with a main supply disconnecting device which meets the local safety regulations. You must be able to lock the disconnecting device to the open position for installation and maintenance work.

■ European Union

To meet the European Union Directives, according to standard EN 60204-1, Safety of Machinery, the disconnecting device must be one of the following types:

- switch-disconnector of utilization category AC-23B (IEC 60947-3)
 - disconnector that has an auxiliary contact that in all cases causes switching devices to break the load circuit before the opening of the main contacts of the disconnector (EN 60947-3)
 - a circuit-breaker suitable for isolation in accordance with IEC 60947-2.
-

■ North America

Installations must meet the requirements of UL (UL 508C) and/or CSA (C22.2 No. 14) and be compliant with NFPA 70 (NEC)¹⁾ and/or Canadian Electrical Code (CE) along with state and local codes for your location and application.

¹⁾ National Fire Protection Association 70 (National Electric Code).

■ Other regions

The disconnecting device must conform to the applicable local safety regulations.

Selecting the main contactor

You can equip the drive with a main contactor.

Obey these guidelines when you select a customer-defined main contactor:

- Dimension the contactor according to the nominal voltage and current of the drive. Also consider the environmental conditions such as surrounding air temperature.
- Select contactor with utilization category AC-1 (number of operations under load) according to IEC 60947-4, *Low-voltage switch gear and control gear*.
- Consider the application life time requirements.

Checking the compatibility of the motor and drive

Use asynchronous AC induction motor, permanent magnet synchronous motor or ABB synchronous reluctance motor (SynRM motors) with the drive. Multiple induction motors can be connected to the drive at a time when using the scalar motor control mode.

Make sure that the motor(s) and the drive are compatible according to the rating table in the technical data.

Selecting the power cables

■ General guidelines

Select the input power and motor cables according to local regulations.

- **Current:** Select a cable capable of carrying the maximum load current.
- **Temperature:** For an IEC installation, select a cable rated for at least 70 °C (158 °F) maximum permissible temperature of conductor in continuous use. For North America, select a cable rated for at least 75 °C (167 °F).
- **Voltage:** 600 V AC cable is accepted for up to 500 V AC. 750 V AC cable is accepted for up to 600 V AC. 1000 V AC cable is accepted for up to 690 V AC.

To comply with the EMC requirements of the CE mark, use one of the preferred cable types. See [Preferred power cable types \(page 48\)](#).

Symmetrical shielded cable reduces electromagnetic emission of the whole drive system as well as the stress on motor insulation, bearing currents and wear.

Metal conduit reduces electromagnetic emission of the whole drive system.

The protective conductor must always have an adequate conductivity.

Unless local wiring regulations state otherwise, the cross-sectional area of the protective conductor must agree with the conditions that require automatic disconnection of the supply required in 411.3.2. of IEC 60364-4-41:2005 and be capable of withstanding the prospective fault current during the disconnection time of the protective device. The cross-sectional area of the protective conductor can either be selected from the table below or calculated according to 543.1 of IEC 60364-5-54.

This table shows the minimum cross-sectional area of the protective conductor related to the phase conductor size according to IEC/UL 61800-5-1 when the phase conductor and the protective conductor are made of the same metal. If this is not so, the cross-sectional area of the protective earthing conductor shall be determined in a manner which produces a conductance equivalent to that which results from the application of this table.

Cross-sectional area of the phase conduct- ors S (mm ²)	Minimum cross-sectional area of the corres- ponding protective conductor S_p (mm ²)
$S \leq 16$	$S/1$
$16 < S \leq 35$	16
$35 < S$	$S/2$

1) To comply with standard IEC/EN 61800-5-1 (UL 61800-5-1)

- use a protective earth conductor with a minimum cross-sectional area of 10 mm² Cu or 16 mm² Al (as an alternative when aluminum cables are permitted),
or
 - use a second protective earth conductor of the same cross-sectional area as the original protective earth conductor,
or
 - use a device that automatically disconnects the supply if the protective earth conductor is damaged.
- If the protective earth conductor is separate (that is, it does not form part of the input power cable or the input power cable enclosure), the minimum cross-sectional area must be:
- 2.5 mm² when the conductor is mechanically protected,
or
 - 4 mm² when the conductor is not mechanically protected.

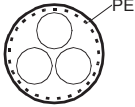
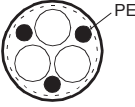

■ Typical power cable sizes

See the technical data.

■ Power cable types





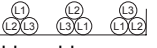

Preferred power cable types

This section presents the preferred cable types. Make sure that the selected cable type also complies with local/state/country electrical codes.


Cable type	Use as input power cabling	Use as motor cabling
 <p>Symmetrical shielded (or armored) cable with three phase conductors and concentric PE conductor as shield (or armor)</p>	Yes	Yes
 <p>Symmetrical shielded (or armored) cable with three phase conductors and symmetrically constructed PE conductor and a shield (or armor)</p>	Yes	Yes
 <p>Symmetrical shielded (or armored) cable with three phase conductors and a shield (or armor), and separate PE conductor/cable ¹⁾</p>	Yes	Yes

¹⁾ A separate PE conductor is required if the conductivity of the shield (or armor) is not sufficient for the PE use.

Alternate power cable types

Cable type	Use as input power cabling	Use as motor cabling
 <p>PVC</p> <p>Four-conductor cabling in PVC conduit or jacket (three phase conductors and PE)</p>	<p>Yes with phase conductor smaller than 10 mm² (8 AWG) Cu.</p>	<p>Yes with phase conductor smaller than 10 mm² (8 AWG) Cu, or motors up to 30 kW (40 hp). Note: Shielded or armored cable, or cabling in metal conduit is always recommended to minimize radio frequency interference.</p>
 <p>EMT</p> <p>Four-conductor cabling in metal conduit (three phase conductors and PE), eg, EMT, or four-conductor armored cable</p>	<p>Yes</p>	<p>Yes with phase conductor smaller than 10 mm² (8 AWG) Cu, or motors up to 30 kW (40 hp)</p>
 <p>Well-shielded (Al/Cu shield or armor) four-conductor cable (three phase conductors and a PE)</p>	<p>Yes</p>	<p>Yes with motors up to 100 kW (135 hp). A potential equalization between the frames of motor and driven equipment is required.</p>
 <p>PE</p> <p>A single-core cable system: three phase conductors and PE conductor on cable tray</p>  <p>Preferable cable arrangement to avoid voltage or current imbalance between the phases</p>	<p>Yes</p> <p> WARNING! If you use unshielded single-core cables in an IT network, make sure that the non-conductive outer sheath (jacket) of the cables have good contact with a properly grounded conductive surface. For example, install the cables on a properly grounded cable tray. Otherwise voltage may become present on the non-conductive outer sheath of the cables, and there is even a risk of an electric shock.</p>	<p>No</p>

Not allowed power cable types

Cable type	Use as input power cabling	Use as motor cabling
 <p data-bbox="90 359 372 432">Symmetrical shielded cable with individual shields for each phase conductor</p>	No	No

■ **Additional guidelines, North America**

ABB recommends the use of conduit for power wiring to the drive and between the drive and the motor(s). Due to the variety of application needs, metallic and non-metallic conduit can be used. ABB prefers the use of metallic conduit.

The following table shows examples of various materials and methods for wiring the drive in the intended application. See NEC 70 along with state and local codes for the appropriate materials for your application.

In all applications, ABB prefers the use of symmetrical shielded VFD cable between drive and motor(s).

Wiring method	Notes
Conduit - Metallic ^{1) 2)}	
Electrical metallic tubing: Type EMT	Prefer symmetrical shielded VFD cable. Use separate conduit run for each motor. Do not run input power wiring and motor wiring in the same conduit.
Rigid metal conduit: Type RMC	
Liquid-tight flexible metal electrical conduit: Type LFMC	
Conduit - Non-metallic ^{2) 3)}	
Liquid-tight flexible non-metallic conduit: Type LFNC	Prefer symmetrical shielded VFD cable. Use separate conduit run for each motor. Do not run input power wiring and motor wiring in the same conduit.
Wireways ²⁾	
Metallic	Prefer symmetrical shielded VFD cable. Separate motor wiring from input power wiring and other low voltage wiring. Do not run outputs of multiple drives parallel. Bundle each cable (wiring) together and use separators where possible.

Wiring method	Notes
Free air ²⁾	
Enclosures, air handlers, etc.	Prefer symmetrical shielded VFD cable. Allowed internally in enclosures when in accordance with UL.

- 1) Metallic conduit may be used as an additional ground path, provided this path is a solid path capable of handling ground currents.
- 2) See NFPA NEC 70, UL, and local codes for your application.
- 3) Non-metallic conduit use underground is allowed; however, these installations inherently have an increased chance for nuisance problems due to the potential for water/moisture in the conduit. Water/moisture in the conduit increases the likelihood of VFD faults or warnings. Proper installation is required to make sure there is no intrusion of water/moisture.

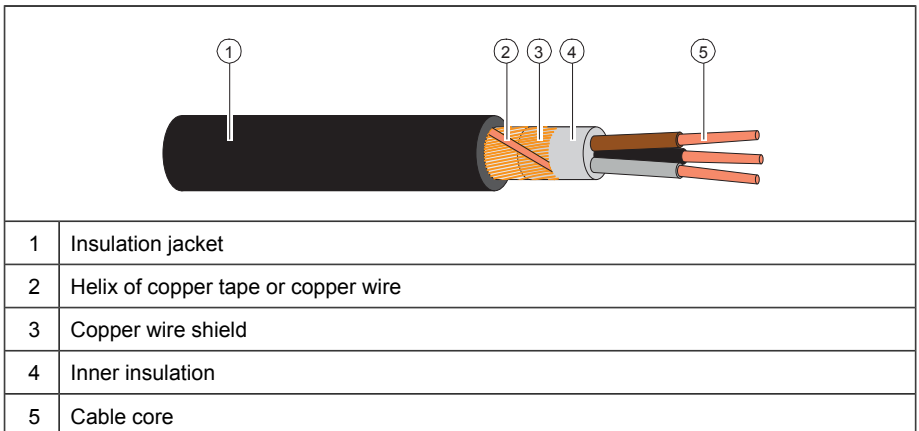
Metal conduit

Couple separate parts of a metal conduit together: bridge the joints with a ground conductor bonded to the conduit on each side of the joint. Also bond the conduits to the drive enclosure and motor frame. Use separate conduits for input power, motor, brake resistor, and control wiring. Do not run motor wiring from more than one drive in the same conduit.

■ Power cable shield

If the cable shield is used as the sole protective earth (PE) conductor, make sure that its conductivity agrees with the PE conductor requirements.

To effectively suppress radiated and conducted radio-frequency emissions, the cable shield conductivity must be at least 1/10 of the phase conductor conductivity. The requirements are easily met with a copper or aluminum shield. The minimum requirement of the motor cable shield of the drive is shown below. It consists of a concentric layer of copper wires with an open helix of copper tape or copper wire. The better and tighter the shield, the lower the emission level and bearing currents.



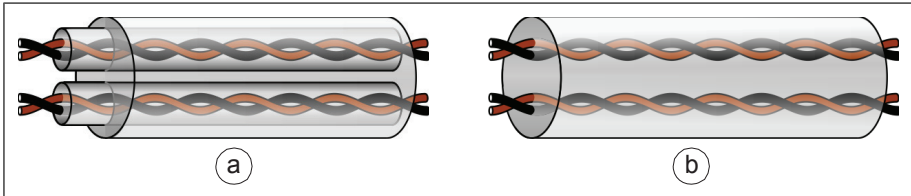
Selecting the control cables

■ Shielding

Only use shielded control cables.

Use a double-shielded twisted pair cable for analog signals. This type of cable is recommended for the pulse encoder signals also. Use one individually shielded pair for each signal. Do not use common return for different analog signals.

A double-shielded cable (a) is the best alternative for low-voltage digital signals, but single-shielded (b) twisted pair cable is also acceptable.



■ Signals in separate cables

Run analog and digital signals in separate, shielded cables. Do not mix 24 V DC and 115/230 V AC signals in the same cable.

■ Signals that can be run in the same cable

If their voltage does not exceed 48 V, relay-controlled signals can be run in the same cables as digital input signals. The relay-controlled signals should be run as twisted pairs.

■ Relay cable

The cable type with braided metallic shield (for example ÖLFLEX by LAPPKABEL, Germany) has been tested and approved by ABB.

■ Control panel to drive cable

Use EIA-485 with male RJ-45 connector, cable type Cat 5e or better. The maximum permitted length of the cable is 100 m (328 ft).

■ PC tool cable

Connect the Drive composer PC tool to the drive through the USB port of the control panel. Use a USB Type A (PC) - Type Mini-B (control panel) cable. The maximum length of the cable is 3 m (9.8 ft).

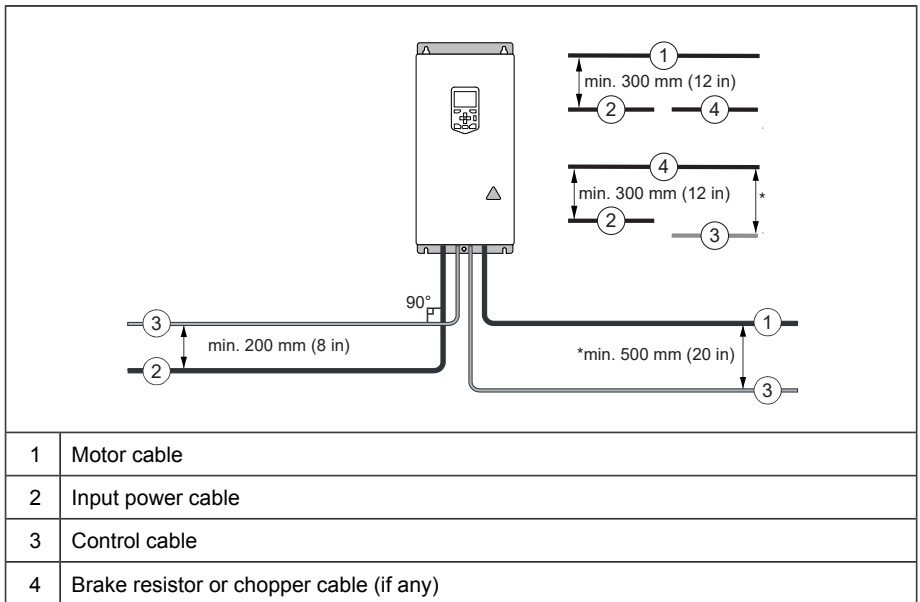
Routing the cables

■ General guidelines – IEC

- Route the motor cable away from other cables. Motor cables of several drives can be run in parallel installed next to each other.
- Install the motor cable, input power cable and control cables on separate trays.
- Avoid long parallel runs of motor cables with other cables.
- Where control cables must cross power cables, make sure that they are arranged at an angle as near to 90 degrees as possible.
- Do not run extra cables through the drive.
- Make sure that the cable trays have good electrical bonding to each other and to the grounding electrodes. Aluminum tray systems can be used to improve local equalizing of potential.

The following figure illustrates the cable routing guidelines with an example drive.

Note: When motor cable is symmetrical and shielded and it has short parallel runs with other cables (< 1.5 m / 5 ft), distances between the motor cable and other cables can be reduced by half.

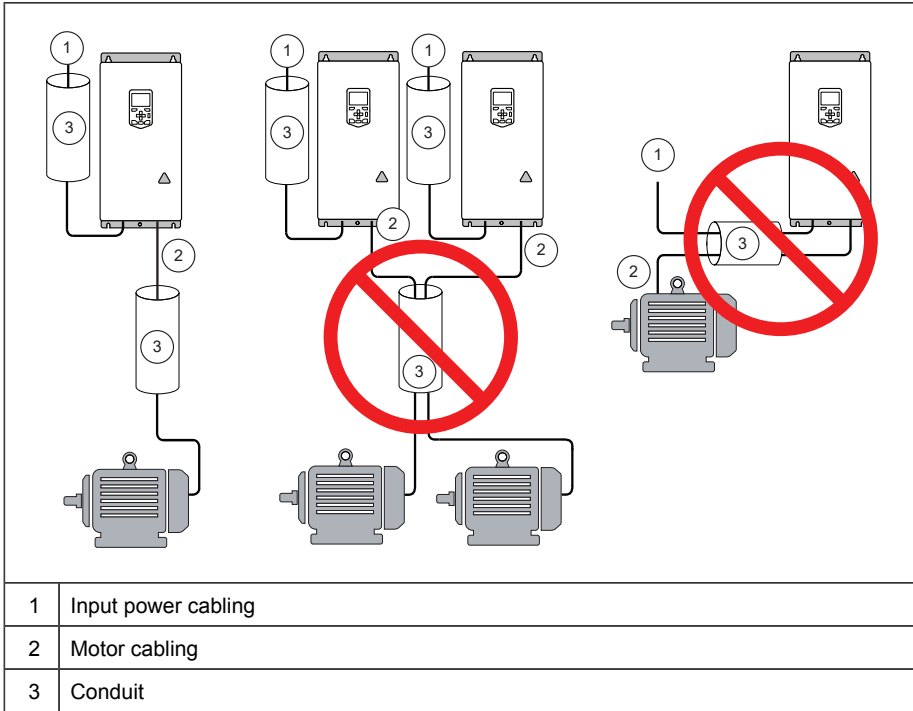


■ General guidelines – North America

Make sure that the installation is in accordance with national and local codes. Obey these general guidelines:

54 Guidelines for planning the electrical installation

- Use separate conduits for the input power, motor, brake resistor (optional), and control cabling.
- Use separate conduit for each motor cabling.



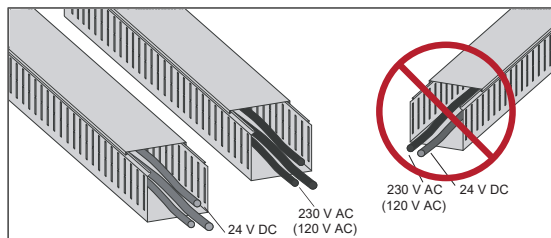
■ Continuous motor cable shield/conduit or enclosure for equipment on the motor cable

To minimize the emission level when safety switches, contactors, connection boxes or similar equipment are installed on the motor cable between the drive and the motor:

- Install the equipment in a metal enclosure.
- Use either a symmetrical shielded cable, or install the cabling in a metal conduit.
- Make sure that there is a good and continuous galvanic connection in the shield/conduit between drive and motor.
- Connect the shield/conduit to the protective ground terminal of the drive and the motor.

■ Separate control cable ducts

Put 24 V DC and 230 V AC (120 V AC) control cables in separate ducts, unless the 24 V DC cable is insulated for 230 V AC (120 V AC) or insulated with an insulation sleeving for 230 V AC (120 V AC).



Implementing short-circuit and thermal overload protection

■ Protecting the drive and input power cable in short-circuits

Use the fuses specified for the drive in the technical data. Make sure that also the electric power supply network meets the specification (minimum allowed short-circuit current that the fuse selection is based on).

The fuses restrict drive damage and prevent damage to adjoining equipment in case of a short-circuit inside the drive. When located at the distribution board, the fuses also protect the input power cable against short circuits.

See the drive technical data for alternative short-circuit protections.

■ Protecting the motor and motor cable in short-circuits

The drive protects the motor cable and motor in a short-circuit situation when the motor cable is sized according to the nominal current of the drive. No additional protection devices are needed.

■ Protecting the drive, and the input power and motor cables against thermal overload

If the cables have the correct size for the nominal current, the drive protects itself and the input and motor cables against thermal overload. No additional thermal protection devices are needed.



WARNING!

If the drive is connected to multiple motors, use a separate motor thermal overload device for protecting each motor cable and motor against overload. The drive overload protection is for the sum of the total motor load. It may not trip due to an overload in one motor.

■ Protecting the motor against thermal overload

According to regulations, the motor must be protected against thermal overload and the current must be switched off when overload is detected. The drive includes a motor thermal protection function that protects the motor and switches off the current when necessary. Depending on a drive parameter value, the function either monitors a calculated temperature value (based on a motor thermal model) or an actual temperature indication given by motor temperature sensors.

The motor thermal protection model supports thermal memory retention and speed sensitivity. The user can tune the thermal model further by feeding in additional motor and load data.

The most common temperature sensor types are thermal switch (for example Klixon), PTC or Pt100.

For more information, see the firmware manual.

■ Protecting the motor against overload without thermal model or temperature sensors

Motor overload protection protects the motor against overload without using motor thermal model or temperature sensors.

Motor overload protection is required and specified by multiple standards including the US National Electric Code (NEC), UL 508C and the common UL/IEC 61800-5-1 standard in conjunction with IEC 60947-4-1. The standards allow for motor overload protection without external temperature sensors.

The protection feature allows the user to specify the class of operation in the same manner as the overload relays are specified in standards IEC 60947-4-1 and NEMA ICS 2.

The motor overload protection supports thermal memory retention and speed sensitivity.

For more information, see drive firmware manual.

Implementing a motor temperature sensor connection



WARNING!

IEC 60664 and IEC 61800-5-1 require double or reinforced insulation between live parts and accessible parts when:

- the accessible parts are not conductive, or
- the accessible parts are conductive, but not connected to the protective earth.

Obey this requirement when you plan the connection of the motor temperature sensor to the drive.

You have these implementation alternatives:

1. If there is double or reinforced insulation between the sensor and the live parts of the motor: You can connect the sensor directly to the analog/digital input(s) of the drive. See the control cable connection instructions.
2. If there is basic insulation between the sensor and the live parts of the motor: You can connect the sensor to the analog/digital input(s) of the drive. All other circuits connected to the digital and analog inputs (typically extra-low voltage circuits) must be:
 - protected against contact, and
 - insulated with basic insulation from other low-voltage circuits. The insulation must be rated for the same voltage level as the drive main circuit.

Note: Extra-low voltage circuits (for example, 24 V DC) typically do not meet these requirements.

As an alternative, you can connect the sensor with basic insulation to the analog/digital input(s) of the drive, if you do not connect any other external control circuits to the drive digital and analog inputs.

3. You can connect a sensor to a digital input of the drive via an external relay. The sensor and the relay must form a double or reinforced insulation between the motor live parts and the digital input of the drive.

Protecting the drive against ground faults

The drive is equipped with an internal ground fault protective function to protect the unit against ground faults in the motor and motor cable. This function is not a personnel safety or a fire protection feature. See the firmware manual for more information.

■ Residual current device compatibility

The drive is suitable to be used with residual current devices of Type B.

Note: As standard, the drive contains capacitors connected between the main circuit and the frame. These capacitors and long motor cables increase the ground leakage current and may cause nuisance faults in residual current devices.

Implementing the Emergency stop function

For safety reasons, install the emergency stop devices at each operator control station and at other operating stations where emergency stop may be needed. Design the emergency stop according to the applicable standards.

You can use the Safe torque off function of the drive to implement the Emergency stop function.

Note: Pressing the stop (off) key on the control panel of the drive does not generate an emergency stop of the motor or separate the drive from dangerous potential.

Implementing the Safe torque off function

See chapter *The Safe torque off function (page 181)*.

Using a safety switch between the drive and the motor

ABB recommends to install a safety switch between the permanent magnet motor and the drive output. The switch is needed to isolate the motor from the drive during maintenance work on the drive.

Implementing the control of a contactor between drive and motor

Implementing the control of the output contactor depends on the motor control mode and stopping method selected.

When you select the vector motor control mode and the motor ramp stop mode, use this operation sequence to open the contactor:

1. Give a stop command to the drive.
2. Wait until the drive decelerates the motor to zero speed.
3. Open the contactor.



WARNING!

If vector motor control mode is in use, do not open the output contactor while the drive controls the motor. The motor control operates faster than the contactor, and tries to maintain the load current. This can cause damage to the contactor.

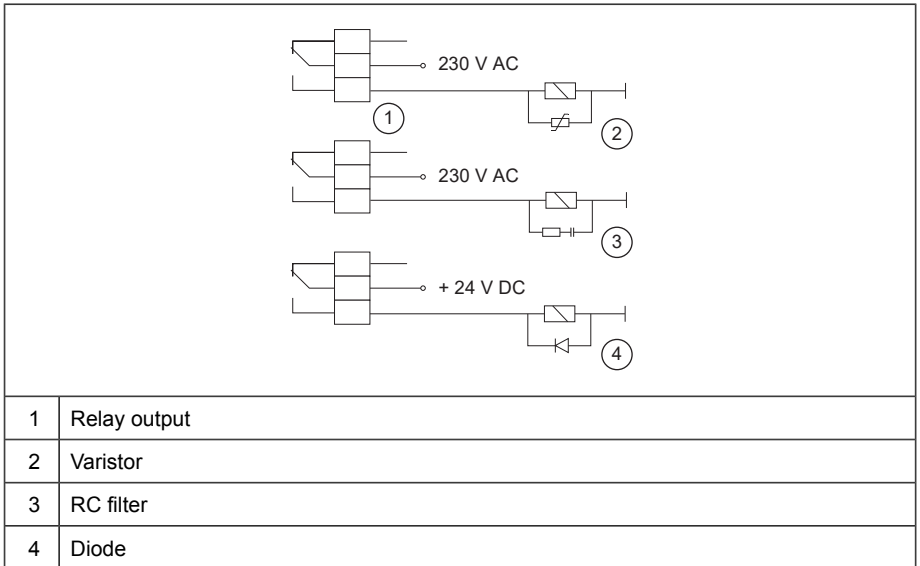
When you select the vector motor control mode and the motor coast stop mode, you can open the contactor immediately after the drive has received the stop command. This is the case also if you use the scalar motor control mode.

Protecting the contacts of relay outputs

Inductive loads (relays, contactors, motors) cause voltage transients when switched off.

It is highly recommended that inductive loads are equipped with noise attenuating circuits (varistors, RC filters [AC] or diodes [DC]) to minimize the EMC emission at switch-off. If not suppressed, the disturbances can connect capacitively or inductively to other conductors in the control cable and form a risk of malfunction in other parts of the system.

Install the protective component as close to the inductive load as possible. Do not install protective components at the relay outputs.





6

Electrical installation – IEC

Contents of this chapter

This chapter describes how to:

- measure the insulation
- do an earthing system compatibility check
- change the EMC filter or ground-to-phase varistor connection
- connect the power and control cables
- install optional modules
- connect a PC.

Warnings



WARNING!

Obey the safety instructions of the drive. If you ignore them, injury or death, or damage to the equipment can occur.

If you are not a qualified electrical professional, do not do installation or maintenance work.

Required tools

To do the electrical installation, you need the following tools:

- wire stripper
 - screwdriver or wrench with a set of suitable bits. For motor cable terminals, the recommended screwdriver shaft length is 150 mm (5.9 in).
 - short flat head screwdriver for the I/O terminals
-



- torque wrench
- multimeter and voltage detector
- personal protective equipment.

Measuring the insulation

Measuring the insulation is typically not required in North America.

■ Measuring the insulation of the drive



WARNING!

Do not do any voltage withstand or insulation resistance tests on any part of the drive as testing can damage the drive. Every drive has been tested for insulation between the main circuit and the chassis at the factory. Also, there are voltage-limiting circuits inside the drive which cut down the testing voltage automatically.

■ Measuring the insulation of the input power cable

Before you connect the input power cable to the drive, measure its insulation according to local regulations.

■ Measuring the insulation of the motor and motor cable



WARNING!

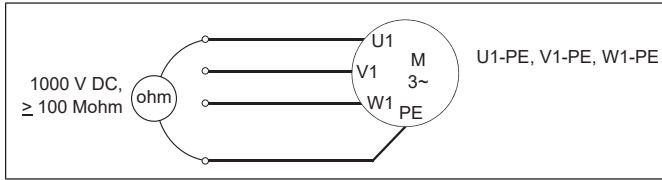
Obey the safety instructions of the drive. If you ignore them, injury or death, or damage to the equipment can occur.

If you are not a qualified electrical professional, do not do installation or maintenance work.

1. Do the steps in section *Electrical safety precautions (page 17)* before you start the work.
2. Make sure that the motor cable is disconnected from the drive output terminals.
3. Measure the insulation resistance between each phase conductor and the protective earth conductor. Use a measuring voltage of 1000 V DC. The insulation resistance of an ABB motor must be more than 100 Mohm (reference value at 25 °C [77 °F]). For the insulation resistance of other motors, refer to the manufacturer's instructions.

Note: Moisture inside the motor casing reduces the insulation resistance. If you think that there is moisture in the motor, dry the motor and do the measurement again.





■ Measuring the insulation of the brake resistor circuit

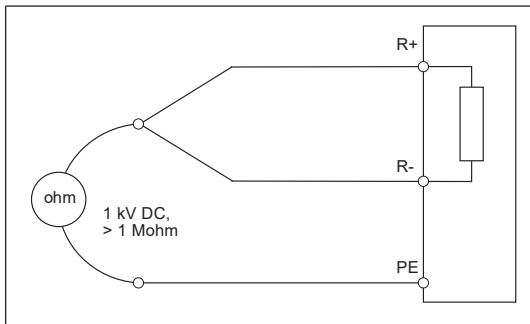


WARNING!

Obey the safety instructions of the drive. If you ignore them, injury or death, or damage to the equipment can occur.

If you are not a qualified electrical professional, do not do installation or maintenance work.

1. Stop the drive and do the steps in section [Electrical safety precautions \(page 17\)](#) before you start the work.
2. Make sure that the resistor cable is connected to the resistor and disconnected from the drive output terminals.
3. At the drive end, connect the R+ and R- conductors of the resistor cable together. Measure the insulation resistance between the conductors and the PE conductor with a measuring voltage of 1000 V DC. The insulation resistance must be more than 1 Mohm.



Earthing system compatibility check – IEC

This section is valid for the IEC drive types. For the UL (NEC) drive types, see [Earthing system compatibility check – North America \(page 89\)](#).

■ EMC filter

The drive has an internal EMC filter as standard. You can install the drive to a symmetrically grounded TN-S system. If you install the drive to another system, you may need to disconnect the EMC filter. See [When to disconnect EMC filter or ground-to-phase varistor \(page 64\)](#).

Note: If you disconnect the EMC filter, the electromagnetic compatibility of the drive decreases.



WARNING!

Do not install a drive with the internal EMC filter connected to an earthing system that the EMC filter is not suitable for (for example, an IT system). The supply network becomes connected to ground potential through the internal EMC filter capacitors, which can cause danger or damage to the drive.

■ Ground-to-phase varistor

A drive with the ground-to-phase varistor connected can be installed to a symmetrically grounded TN-S system. If you install the drive to another system, you may need to disconnect the varistor. See [When to disconnect EMC filter or ground-to-phase varistor](#).



WARNING!

Do not install the drive with the ground-to-phase varistor connected to a system that the varistor is not suitable for. If you do, the varistor circuit can be damaged.

■ When to disconnect EMC filter or ground-to-phase varistor

The table shows different earthing systems, and when you need to disconnect the EMC filter (metal EMC screw) or ground-to-phase varistor (metal VAR screw).



WARNING!

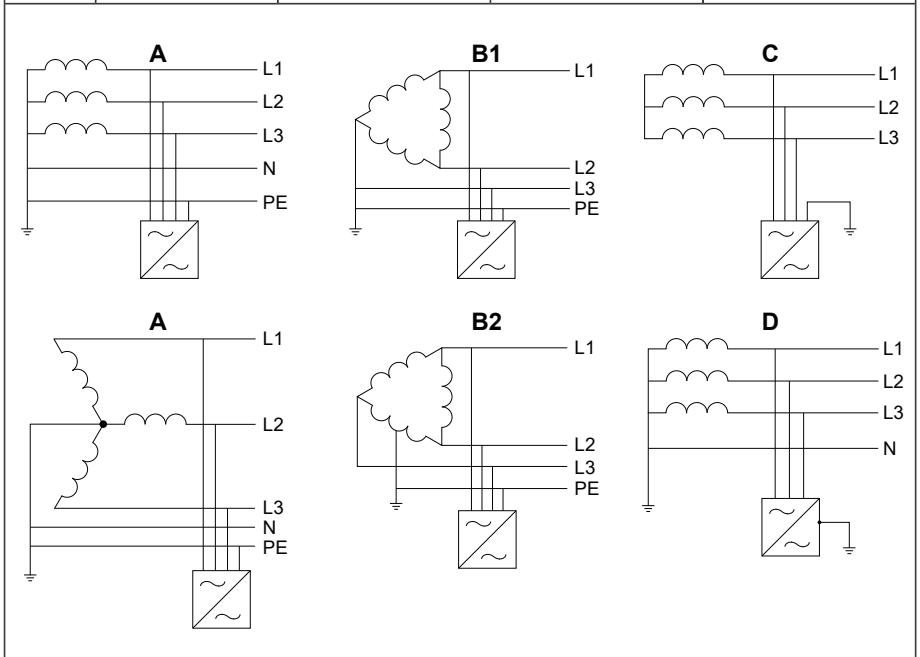
Remove the metal EMC screw in systems other than the symmetrically grounded TN-S systems. If you do not, it can cause danger or damage to the drive.



WARNING!

Remove the metal VAR screw in IT systems. If you do not, it can cause danger or damage to the drive.

Screw label	Screw material	Earthing systems and the need to remove EMC screw or VAR screw		
		Symmetrically grounded TN-S systems, i.e. center grounded-wye (A)	Corner-grounded delta (B1), mid-point-grounded delta (B2) and TT (D) systems	IT systems (un-grounded or high-resistance grounded) (C)
EMC	Metal	Do not remove	Remove	Remove
VAR	Frames R1, R3, R4: Metal	Do not remove	Do not remove	Remove
	Frame R2: Plastic	Do not remove	Do not remove	Do not remove

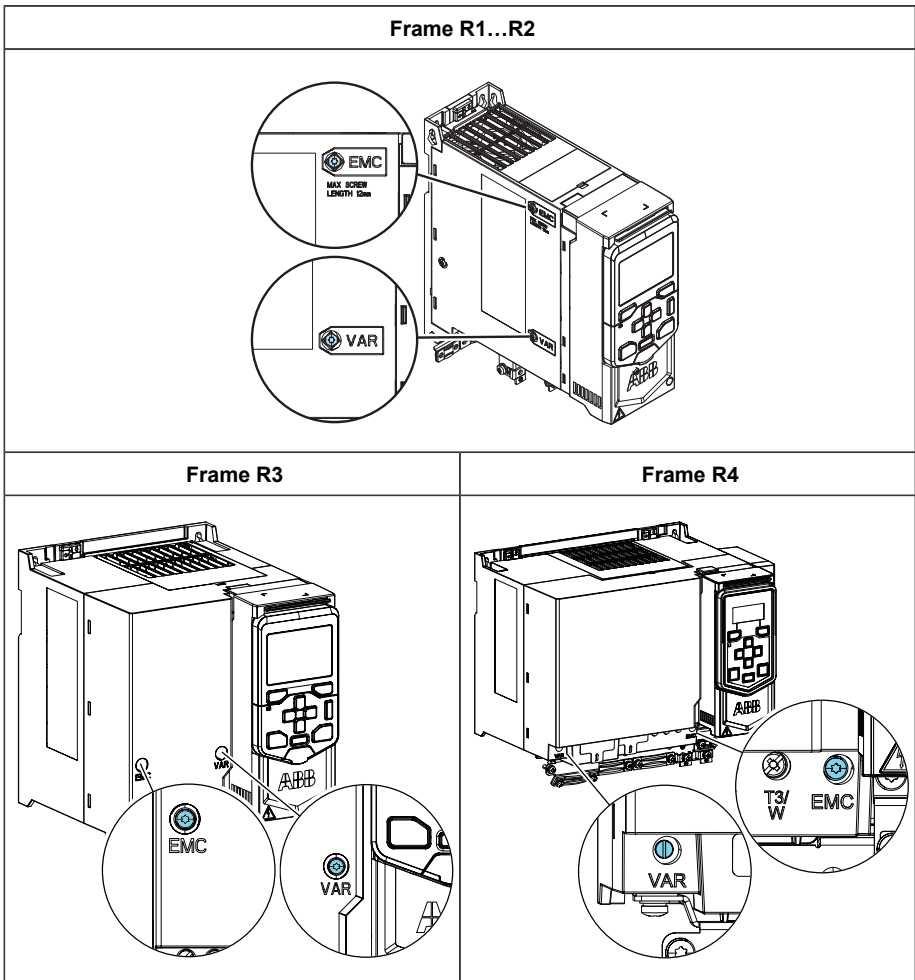


■ Disconnecting the EMC filter or ground-to-phase varistor

Before you continue, see *When to disconnect EMC filter or ground-to-phase varistor (page 64)*. Obey the guidelines.

1. Do the steps in section *Electrical safety precautions (page 17)* before you start the work.
2. To disconnect the EMC filter, remove the metal EMC screw.
3. To disconnect the varistor, remove the metal VAR screw.

EMC/VAR screw location



■ Guidelines for installing the drive to a TT system

You can install the drive to a TT system under these conditions:

1. There is a residual current device in the supply system
2. The internal EMC filter is disconnected. If the EMC filter is not disconnected, its leakage current will cause the residual current device to trip.

Note:

- ABB does not guarantee the EMC category, because the internal EMC filter is disconnected.
- ABB does not guarantee the functioning of the ground leakage detector built inside the drive.
- In large systems the residual current device can trip without a real reason.

■ Identifying the earthing system of the electrical power network



WARNING!

Only a qualified electrical professional may do the work instructed in this section. Depending on the installation site, the work may even be categorized as live working. Continue only if you are an electrical professional certified for the work. Obey the local regulations. If you ignore them, injury or death can occur.

To identify the earthing system, examine the supply transformer connection. See the applicable electrical diagrams of the building. If that is not possible, measure these voltages at the distribution board, and use the table to define the earthing system type.

1. input voltage line to line (U_{L-L})
2. input voltage line 1 to ground (U_{L1-G})
3. input voltage line 2 to ground (U_{L2-G})
4. input voltage line 3 to ground (U_{L3-G}).



The table below shows the line-to-ground voltages in relation to the line-to-line voltage for each earthing system.

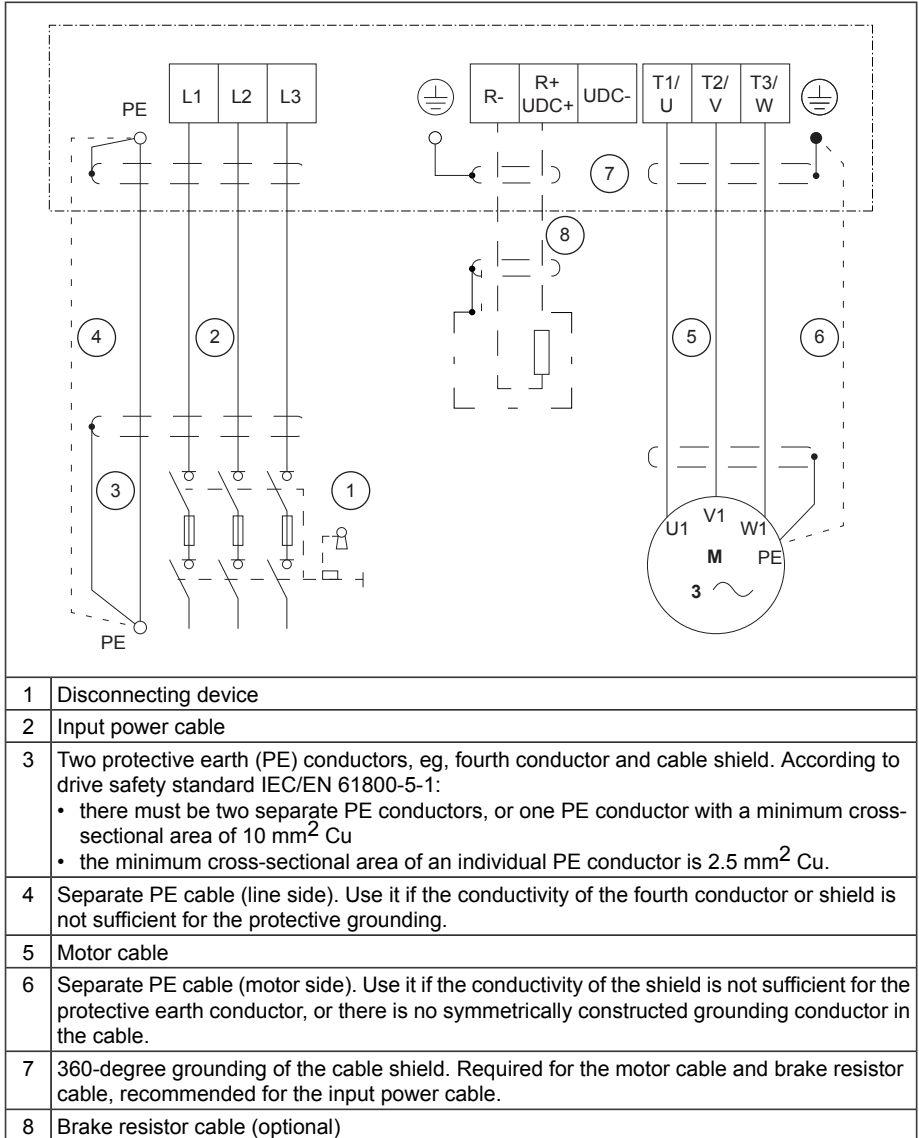
U_{L-L}	U_{L1-G}	U_{L2-G}	U_{L3-G}	Electrical power system type
X	0.58·X	0.58·X	0.58·X	Symmetrically grounded TN system (TN-S system)
X	1.0·X	1.0·X	0	Corner-grounded delta system (nonsymmetrical)
X	0.866·X	0.5·X	0.5·X	Midpoint-grounded delta system (nonsymmetrical)
X	Varying level versus time	Varying level versus time	Varying level versus time	IT systems (ungrounded or high-resistance-grounded [>30 ohms]) nonsymmetrical
X	Varying level versus time	Varying level versus time	Varying level versus time	TT system (the protective earth connection for the consumer is provided by a local earth electrode, and there is another independently installed at the generator)



Connecting the power cables – IEC (shielded cables)

Use a symmetrical shielded power cable (VFD cable) as the motor cable.

■ Connection diagram



■ Connection procedure



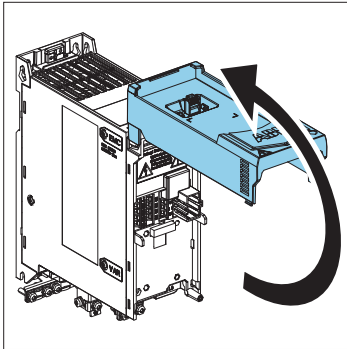
WARNING!

Obey the safety instructions of the drive. If you ignore them, injury or death, or damage to the equipment can occur.

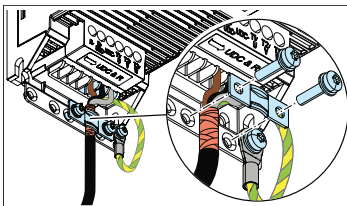
If you are not a qualified electrical professional, do not do installation or maintenance work.

Refer to *Terminal data for the power cables (page 140)* for the tightening torques.

1. Do the steps in section *Electrical safety precautions (page 17)* before you start the work.
2. Open the locking screw of the drive front cover and lift the front cover up.

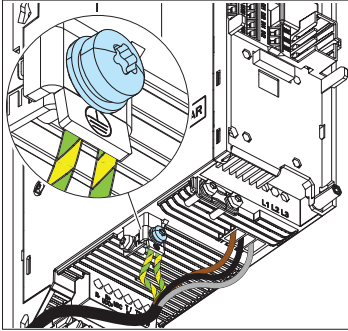


3. Attach the residual voltage warning sticker in the local language to the drive.
4. Strip the motor cable.
5. Ground the motor cable shield under the grounding clamp (360-degree grounding).



6. Twist the motor cable shield into a bundle, mark it with yellow-green insulation tape, fit a cable lug, and connect it to the grounding terminal.
 7. Connect the phase conductors of the motor cable to the T1/U, T2/V and T3/W motor terminals.
-

8. If you use a brake resistor, connect the brake resistor cable to the R- and UDC+ terminals. Use shielded cable and ground the shield under the grounding clamp (360-degree grounding).
9. Strip the input power cable.
10. If the input power cable has a shield, ground the shield under the clamp (360-degree grounding). Twist the shield also into a bundle, mark it with yellow-green insulation tape, fit a cable lug, and connect it to the grounding terminal.



11. Connect the PE conductors of the input power cable to the grounding terminal.
12. Connect the phase conductors of the input power cable to the L1, L2 and L3 input terminals.
13. Mechanically attach all of the cables on the outside of the drive.



Connecting the control cables

Before you connect the control cables, make sure that all option modules are installed.

■ Default I/O connection diagrams (HVAC default)

The connection diagrams below are valid for the standard drive variant, that is, drive equipped with the RIIO-01 I/O & EIA-485 module.

Connection	Term. 1)	Description	2)
Analog inputs and outputs			
	SCR	Signal cable shield (screen)	
	AI1	Output frequency: 0 ... 10 V	
	AGND	Analog input circuit common	
	+10 V	Reference voltage 10 V DC	
	AI2	Not configured	
	AGND	Analog input circuit common	
	AO1	Output frequency: 0 ... 20 mA	
	AO2	Motor current: 0 ... 20 mA	
AGND	Analog output circuit common		
Digital inputs and auxiliary voltage output			
	+24V	Aux. voltage output +24 V DC, max. 250 mA ³⁾	×
	DGND	Aux. voltage output common	×
	DCOM	Digital input common for all	×
	DI1	Stop (0) / Start (1)	×
	DI2	Not configured	×
	DI3	Constant output frequency selection⁴⁾	
	DI4	Start interlock 1 (1 = allow start)	
	DI5	Not configured	
DI6	Not configured		



Connection	Term. 1)	Description	2)	
Relay outputs				
	+24V	Aux. voltage output +24 V DC, max. 250 mA ³⁾		
	DGND	Aux. voltage output common		
	DCOM	Digital input common for all		
	RO1C	Common	Damper control 250 V AC / 30 V DC, 2 A	×
	RO1A	Norm. closed		×
	RO1B	Norm. open		×
	RO2C	Common	Running 250 V AC / 30 V DC, 2 A	
	RO2A	Norm. closed		
	RO2B	Norm. open		
	RO3C	Common	Fault (-1) 250 V AC / 30 V DC, 2 A	
	RO3A	Norm. closed		
	RO3B	Norm. open		
Embedded EIA-485				
	B+	Embedded fieldbus (EIA-485)		
	A-			
	DGND			
	TERM	Termination switch. ON = on. 1 = off.		
Safe torque off				
	SGND	Safe torque off. Factory connection. Both circuits must be closed for the drive to start.	×	
	IN1		×	
	IN2		×	
	OUT1		×	
Auxiliary voltage input/output				
	+24V	Aux. voltage output +24 V DC, max. 250 mA ³⁾		
	DGND	Aux. voltage output common		
	DCOM	Digital input common for all		

1) Terminal size: 0.14 ... 1.5 mm² (26 ... 16 AWG) Tightening torque: 0.5 ... 0.6 N·m (4.4 ... 5.3 lbf·in)

2) × = base unit, empty = RIIO-01 module

3) The sum output current from 24 V terminals of base unit and RIIO-01 module must not exceed 250 mA.

4) Drive output frequency:

DI3	DI4	Operation/Parameter
0	0	Set output frequency through AI1
1	0	28.26 Constant frequency 1
0	1	28.27 Constant frequency 2
1	1	28.28 Constant frequency 3

■ **Default fieldbus connection diagram**

The connection diagrams are valid for the base unit equipped with an optional fieldbus adapter module.

Connection	Term. 1)	Description	2)	
Auxiliary voltage output and digital inputs				
	+24V	Aux. voltage output +24 V DC, max. 250 mA	×	
	DGND	Aux. voltage output common	×	
	DCOM	Digital input common for all	×	
	DI1	Stop (0) / Start (1)	×	
	DI2	Not configured	×	
Relay outputs				
	+24V	Aux. voltage output +24 V DC, max. 250 mA	×	
	DGND	Aux. voltage output common	×	
	DCOM	Digital input common for all	×	
	RO1C	Common	Damper control 250 V AC / 30 V DC, 2 A	×
	RO1A	Norm. closed		×
	RO1B	Norm. open		×
Safe torque off				
	SGND	Safe torque off. Factory connection. Both circuits must be closed for the drive to start.	×	
	IN1		×	
	IN2		×	
	OUT1		×	
Fieldbus connection				
<p>See the applicable fieldbus adapter manual.</p>	DSUB9	+K457 FCAN-01 CANopen		
	DSUB9	+K454 FPBA-01 Profibus DP		
	RJ45×2	+K465 FBIP-21 BACnet/IP		
	RJ45×2	+K469 FECA-01 EtherCAT		
	RJ45×2	+K475 FENA-21 Ethernet/IP, Profinet, Modbus TCP		
	RJ45×2	+K470 FEPL-02 Ethernet Powerlink		
	Term.block	+K451 FDNA-01 DeviceNet		
	Term.block	+K458 FSCA-01 RS-485		
	8P8C×2	+K462 FCNA-01 ControlNet		
	RJ45×2	+K491 FMBT-21 Two-port Modbus/TCP adapter		
RJ45×2	+K492 FPNO-21 Two-port Profinet IO adapter			

1) Terminal size: 0.14 ... 1.5 mm² (26 ... 16 AWG) Tightening torque: 0.5 ... 0.6 N·m (4.4 ... 5.3 lbf·in)

2) × = base unit, empty = fieldbus module

■ Control cable connection procedure

Keep the signal wire pairs twisted as near to the terminals as possible to prevent inductive coupling.

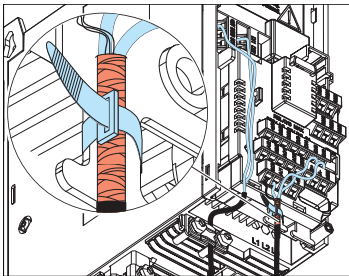


WARNING!

Obey the safety instructions of the drive. If you ignore them, injury or death, or damage to the equipment can occur.

If you are not a qualified electrical professional, do not do installation or maintenance work.

1. Stop the drive and do the steps in *Electrical safety precautions (page 17)* before you start the work.
2. Strip a part of the outer shield of the control cable for grounding.
3. Use a cable tie to ground the outer shield to the grounding tab. For 360-degree grounding, use metallic cable ties.
4. Strip the control cable conductors.
5. Connect the conductors to the correct control terminals. Tightening torque: 0.5 ... 0.6 N·m (4.4 ... 5.3 lbf·in).
6. Connect the shields and grounding wires to the SCR terminal. Tightening torque: 0.5 ... 0.6 N·m (4.4 ... 5.3 lbf·in).
7. Mechanically attach the control cables on the outside of the drive.



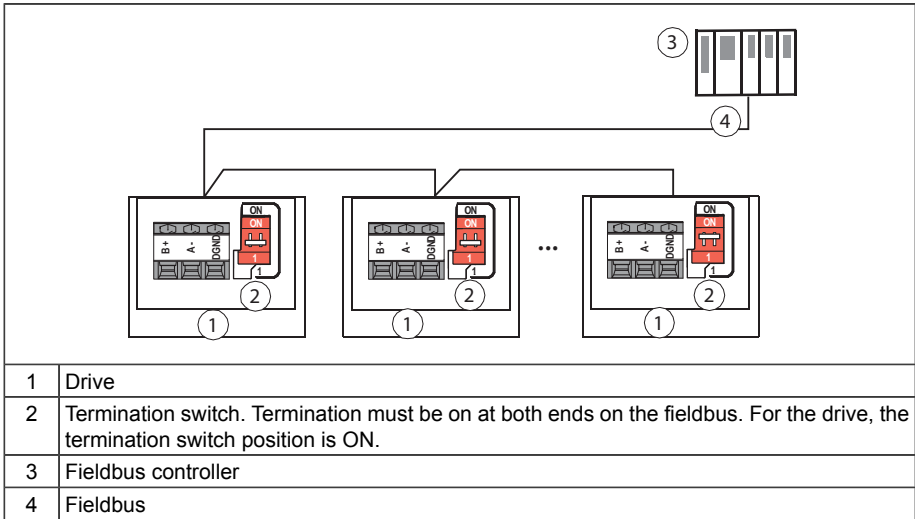
■ Additional information on the control connections

Connecting EIA-485 fieldbus cable to the drive

Connect the cable to the EIA-485 terminal on the RIIO-01 I/O & EIA-485 module, which is attached to the drive. The connection diagram is shown below.

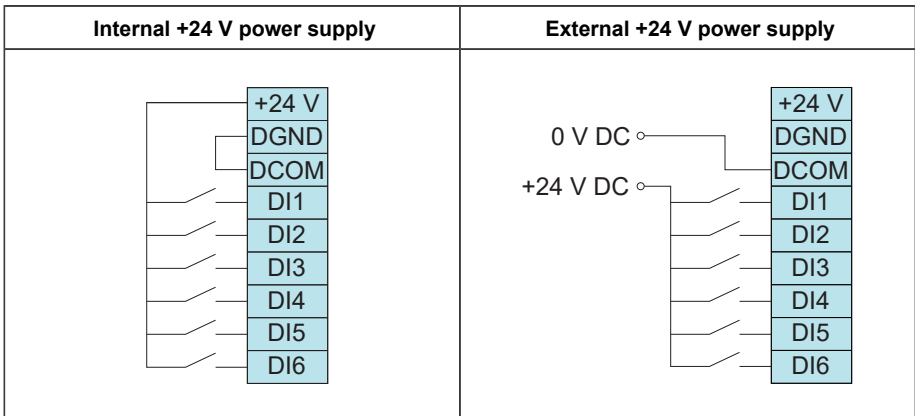
The EIA-485 network uses shielded, twisted-pair cable with a characteristic impedance of 100 ... 130 ohm for data signaling. The distributed capacitance between conductors is less than 100 pF per meter (30 pF per foot). Distributed capacitance between

conductors and shield is less than 200 pF per meter (60 pF per foot). Foil or braided shields are acceptable.



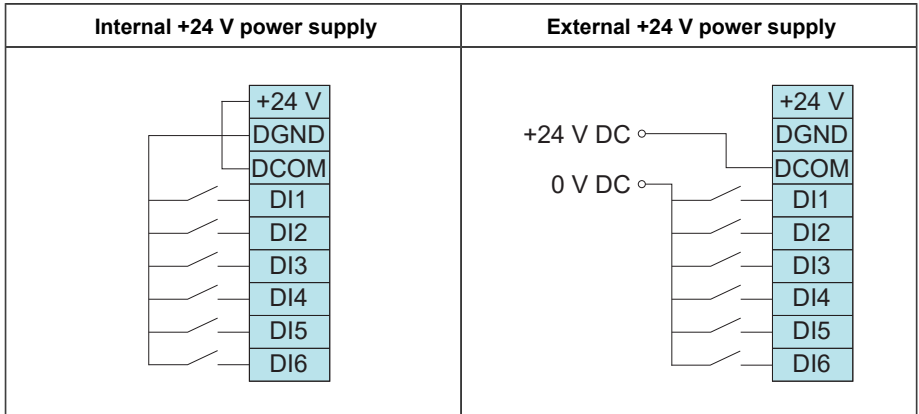
PNP configuration for digital inputs

Internal and external +24 V power supply connections for PNP (source) configuration are shown in the figure below.



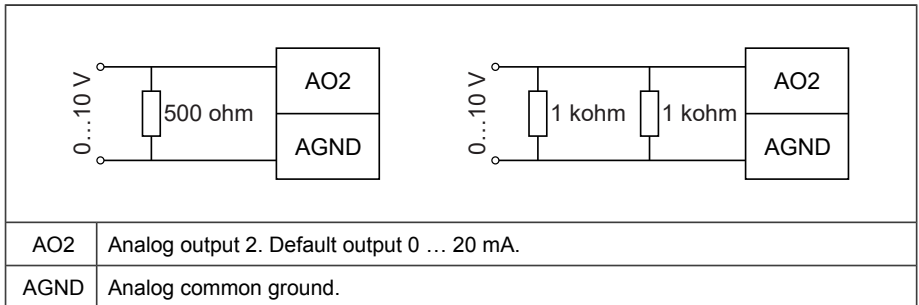
NPN configuration for digital inputs

Internal and external +24 V power supply connections for NPN (sink) configuration are shown in the figure below.



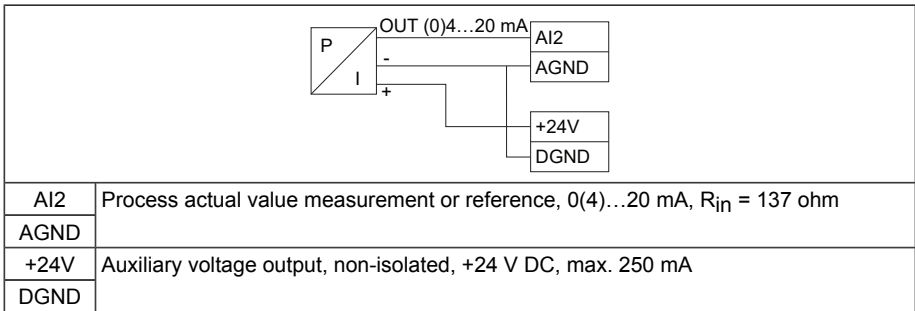
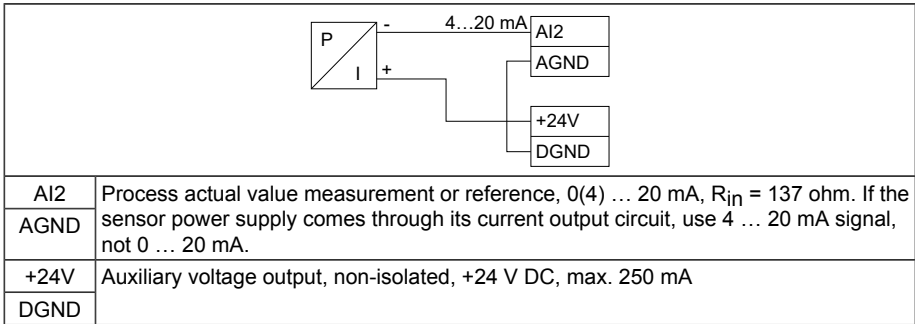
Connection for obtaining 0 ... 10 V from analog output 2 (AO2)

To obtain 0 ... 10 V from analog output AO2, connect a 500 ohm resistor (or two 1 kohm resistors in parallel) between AO2 and AGND. Examples are shown in the figure below.



Connection examples of two-wire and three-wire sensors

The figures give examples of connections for a two-wire or three-wire sensor/transmitter that is supplied by the auxiliary voltage output of the drive.



AI and AO (or AI, DI and +10 V) as PTC motor temperature sensor interface



WARNING!

IEC 60664 and IEC 61800-5-1 require double or reinforced insulation between live parts and accessible parts when:

- the accessible parts are not conductive, or
- the accessible parts are conductive, but not connected to the protective earth.

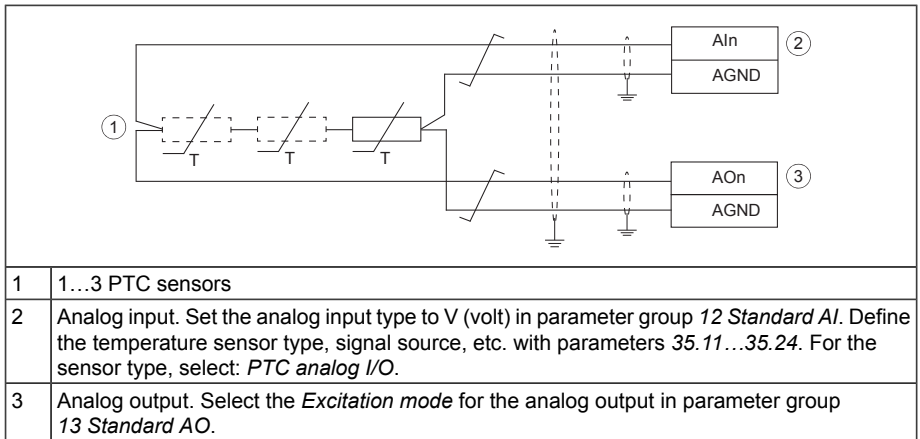
Obey this requirement when you plan the connection of the motor temperature sensor to the drive.

If the motor temperature sensor has a reinforced insulation vs. the motor windings, you can connect it directly to the drive IO interface. This section shows two connection alternatives for the direct I/O connection. If the sensor does not have reinforced insulation, you must use another type of connection to fulfill the safety requirements. See [Implementing a motor temperature sensor connection \(page 56\)](#).

See the firmware manual for information on the related Motor thermal protection function, and the required parameter settings.

PTC connection 1

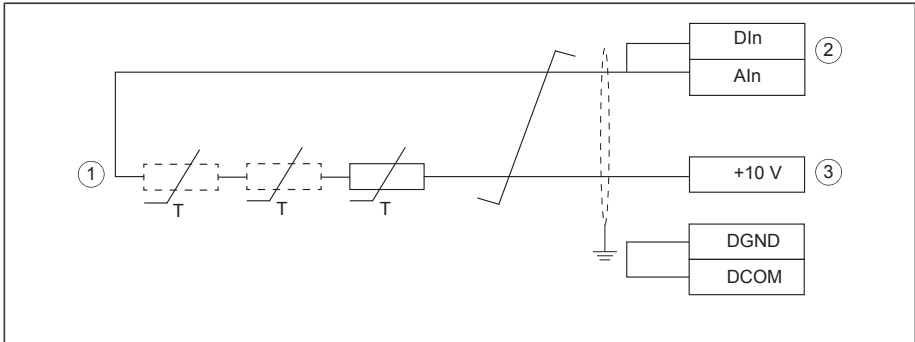
1...3 PTC sensors can be connected in series to an analog input and an analog output. The analog output feeds a constant excitation current of 1.6 mA through the sensor. The sensor resistance increases as the motor temperature rises, as does the voltage over the sensor. The temperature measurement function calculates the resistance of the sensor and generates an indication if overtemperature is detected. Leave the sensor end of the cable shield unconnected.



PTC connection 2

If no analog output is available for the PTC connection, it is possible to use a voltage divider connection. 1...3 PTC sensors are connected in series with 10 V reference and digital and analog inputs. The voltage over the digital input internal resistance varies depending on the PTC resistance. The temperature measurement function reads the digital input voltage through the analog input and calculates the PTC resistance.





1	1...3 PTC sensors
2	Digital input and analog input. Set the analog input type to V (volt) in parameter group 12 <i>Standard AI</i> . Define the temperature sensor type, signal source, etc. with parameters 35.11...35.24. For the sensor type, select: <i>PTC AI/DI Voltage Divider tree</i> . Make sure that the digital input is not configured to any other use by parameters.
3	10 V reference voltage

AI1 and AI2 as Pt100, Pt1000, Ni1000, KTY83 and KTY84 sensor inputs



WARNING!

IEC 60664 and IEC 61800-5-1 require double or reinforced insulation between live parts and accessible parts when:

- the accessible parts are not conductive, or
- the accessible parts are conductive, but not connected to the protective earth.

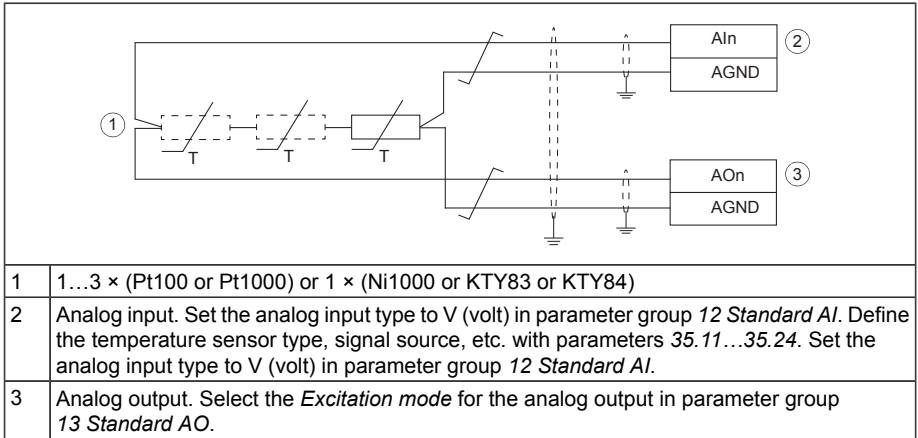
Obey this requirement when you plan the connection of the motor temperature sensor to the drive.



If the motor temperature sensor has a reinforced insulation vs. the motor windings, you can connect it directly to the drive IO interface. This section shows the connection. If the sensor has no reinforced insulation, you must use another type of connection to fulfill the safety requirements. See [Implementing a motor temperature sensor connection \(page 56\)](#).

You can connect temperature measurement sensors (one, two or three Pt100 sensors; one, two or three Pt1000 sensors; or one Ni1000, KTY83 or KTY84) between an analog input and output as shown below. Leave the sensor end of the cable shield unconnected.

See the firmware manual for information on the related Motor thermal protection function.



Safe torque off

For the drive to start, both STO connections (OUT1-IN1 and OUT1-IN2) must be closed. By default, the terminal block has jumpers to close the circuit. Remove the jumpers before connecting external Safe torque off circuitry to the drive. See chapter [The Safe torque off function](#).

Auxiliary voltage connection

The drive has 24 V DC ($\pm 10\%$) auxiliary power supply terminals both on the base unit and on the RIIO-01 module. You can use them:

- to supply auxiliary power from the drive to external control circuits or option modules
- to supply external auxiliary power to the drive to keep the control and cooling in operation if there is a power outage.

See the technical data for the specifications for the auxiliary power supply terminals (input/output).

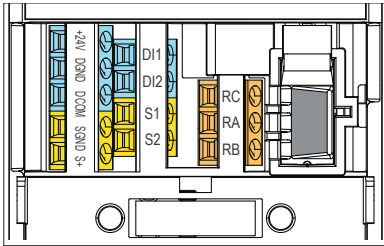
To supply power to external control circuits or option modules:

1. Connect the load either to the auxiliary power output on the base unit, or on the RIIO-01 module (+24V and DGND terminals).
2. Make sure that you do not exceed the load capacity of the output, or the sum load capacity of both outputs.

To connect an external auxiliary power supply to the drive:

1. Install a BAPO-01 power extension module to the drive. See [Installing options \(page 82\)](#).
2. Connect an external power supply to the +24V and DGND terminals of the base unit.

For more information on the BAPO-01 module, see [BAPO-01 auxiliary power extension module \(page 199\)](#).



Connecting a PC

You can connect a PC to the drive. To communicate with the drive, the PC must have suitable software (for example, Drive composer) installed.

If you have an assistant control panel (ACH-AP-H or ACH-AP-W), use a USB data cable (Type A - Type B, maximum length 3 m [9.8 ft]) to connect to the PC. Connect the cable as follows:

1. Open the USB connector cover on the control panel.
2. Connect the USB cable Mini-B plug to the control panel USB connector.
3. Connect the USB cable A plug to the USB port of the PC. The panel shows text "USB connected".

Note: You cannot use the control panel keys when the drive is connected to a PC.

If you have a RDUM-01 blank panel or CDPI-02 panel bus adapter installed, use a BCBL-01 USB-RJ45 converter to connect to the PC.

It is also possible to use a CCA-01 configuration adapter when the drive is not connected to the power supply network or to an external 24 V supply. The CCA-01 does not operate if the drive is powered.

Installing options

The drive has two option module slots:

- Front option: Communication module slot under the front cover.
- Side option: Multifunction extension module slot on the side of the drive.

Refer also to the fieldbus module manual for the installation instructions. For other option modules, see:

- [BAPO-01 auxiliary power extension module \(page 199\)](#)
- [BIO-01 I/O extension module \(page 203\)](#)
- [BREL-01 relay output extension module \(page 207\)](#).

■ Installing a front option

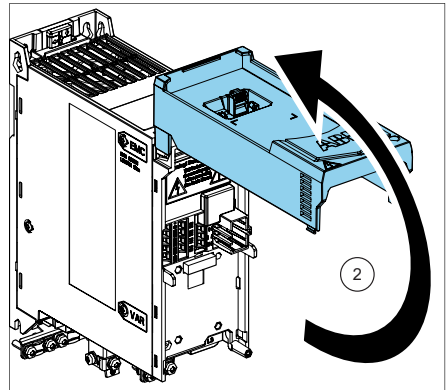
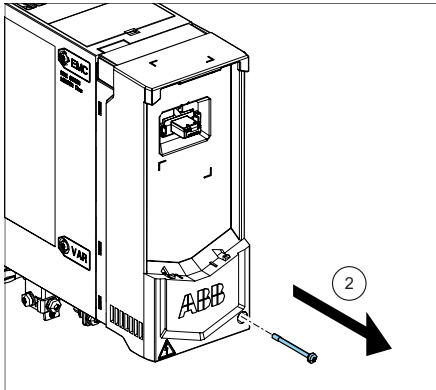


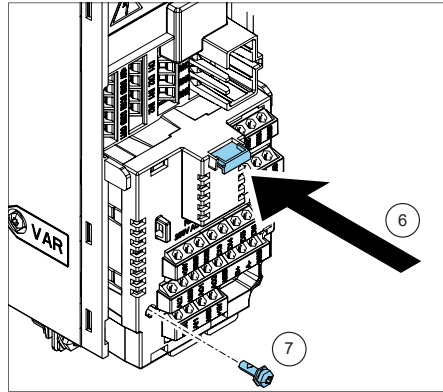
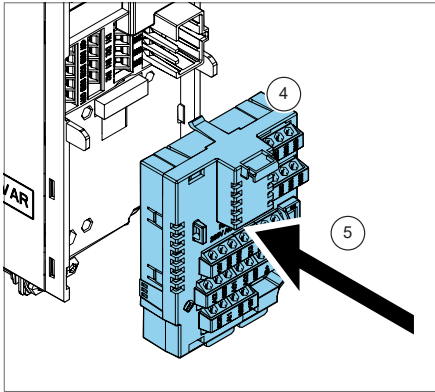
WARNING!

Obey the safety instructions of the drive. If you ignore them, injury or death, or damage to the equipment can occur.

If you are not a qualified electrical professional, do not do installation or maintenance work.

1. Stop the drive and do the steps in section *Electrical safety precautions (page 17)* before you start the work.
2. Loosen the locking screw of the front cover and lift the front cover up.
3. If the option module has a locking tab, pull it up.
4. Carefully align the option module with the option module slot in the front of the drive.
5. Fully push the option module into position.
6. If the option module has a locking tab, push it down until it locks.
7. Tighten the locking screw to fully attach and electrically ground the front option.
8. Connect the control cables. See the control cable connection instructions.





Note: If you have the BIO-01 option module, you can add one additional fieldbus module on top of it.

■ Installing a side option



WARNING!

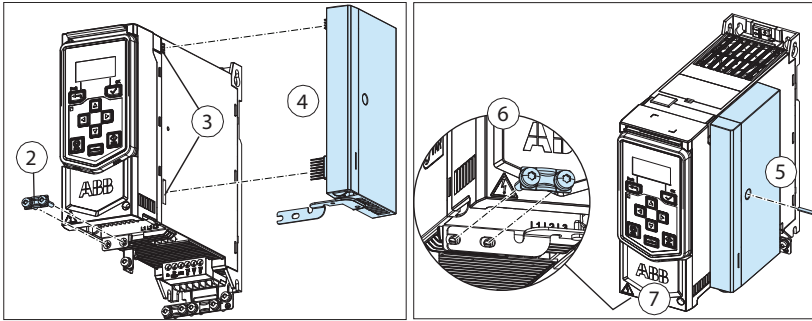
Obey the safety instructions of the drive. If you ignore them, injury or death, or damage to the equipment can occur.

If you are not a qualified electrical professional, do not do installation or maintenance work.

1. Stop the drive and do the steps in section [Electrical safety precautions \(page 17\)](#) before you start the work.
2. Remove the two screws from the front-most grounding clamp at the bottom of the drive.
3. Carefully align the side option with the connectors on the right side of the drive.
4. Fully push the option module into position.
5. Tighten the locking screw of the option module.



6. Attach the grounding bar to the bottom of the side option and to the front ground tab on the drive.
7. Connect the control cables. See the control cable connection instructions.



7

Electrical installation – North America

Contents of this chapter

This chapter describes how to:

- measure the insulation
- do an earthing system compatibility check
- change the EMC filter or ground-to-phase varistor connection
- connect the power and control cables
- install optional modules
- connect a PC.

Warnings



WARNING!

Obey the safety instructions of the drive. If you ignore them, injury or death, or damage to the equipment can occur.

If you are not a qualified electrical professional, do not do installation or maintenance work.

Required tools

To do the electrical installation, you need the following tools:

- wire stripper
-



- screwdriver or wrench with a set of suitable bits. For motor cable terminals, the recommended screwdriver shaft length is 150 mm (5.9 in).
- short flat head screwdriver for the I/O terminals
- torque wrench
- multimeter and voltage detector
- personal protective equipment.

Measuring the insulation

Measuring the insulation is typically not required in North America.

■ Measuring the insulation of the drive



WARNING!

Do not do any voltage withstand or insulation resistance tests on any part of the drive as testing can damage the drive. Every drive has been tested for insulation between the main circuit and the chassis at the factory. Also, there are voltage-limiting circuits inside the drive which cut down the testing voltage automatically.

■ Measuring the insulation of the input power cable

Before you connect the input power cable to the drive, measure its insulation according to local regulations.

■ Measuring the insulation of the motor and motor cable



WARNING!

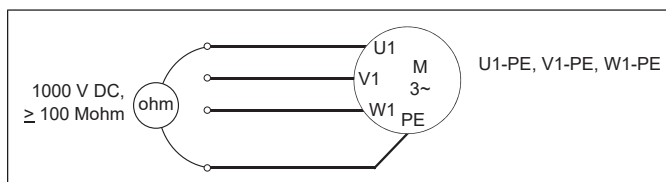
Obey the safety instructions of the drive. If you ignore them, injury or death, or damage to the equipment can occur.

If you are not a qualified electrical professional, do not do installation or maintenance work.



1. Do the steps in section *Electrical safety precautions (page 17)* before you start the work.
2. Make sure that the motor cable is disconnected from the drive output terminals.
3. Measure the insulation resistance between each phase conductor and the protective earth conductor. Use a measuring voltage of 1000 V DC. The insulation resistance of an ABB motor must be more than 100 Mohm (reference value at 25 °C [77 °F]). For the insulation resistance of other motors, refer to the manufacturer's instructions.

Note: Moisture inside the motor casing reduces the insulation resistance. If you think that there is moisture in the motor, dry the motor and do the measurement again.



■ Measuring the insulation of the brake resistor circuit

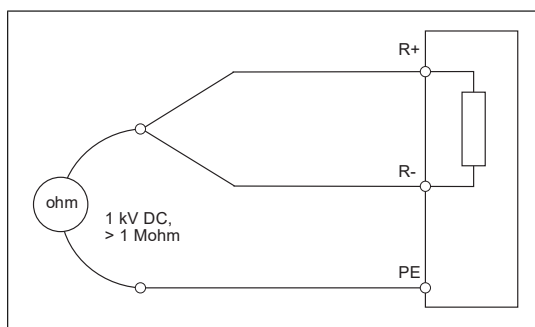


WARNING!

Obey the safety instructions of the drive. If you ignore them, injury or death, or damage to the equipment can occur.

If you are not a qualified electrical professional, do not do installation or maintenance work.

1. Stop the drive and do the steps in section [Electrical safety precautions \(page 17\)](#) before you start the work.
2. Make sure that the resistor cable is connected to the resistor and disconnected from the drive output terminals.
3. At the drive end, connect the R+ and R- conductors of the resistor cable together. Measure the insulation resistance between the conductors and the PE conductor with a measuring voltage of 1000 V DC. The insulation resistance must be more than 1 Mohm.



Earthing system compatibility check – North America

This section is valid for the UL(NEC) drive types. For the IEC drives types, see [Earthing system compatibility check – IEC \(page 63\)](#).

■ EMC filter

The drive has an internal EMC filter as standard. However, for the UL(NEC) drive types, the filter is disconnected as default. The filter is typically not needed in North American installations.

If you are concerned with EMC issues, and install the drive to a symmetrically grounded TN-S system, you can connect the internal EMC filter. See [Disconnecting ground-to-phase varistor, or connecting EMC filter](#).

Note: When the internal EMC filter is disconnected, the electromagnetic compatibility of the drive is reduced.



WARNING!

Do not install a drive with the internal EMC filter connected to an earthing system that the EMC filter is not suitable for (for example, an IT system). The supply network becomes connected to ground potential through the internal EMC filter capacitors, which can cause danger or damage to the drive.

■ Ground-to-phase varistor

The drive is equipped with an internal ground-to-phase varistor as standard. For frame sizes R1, R3 and R4, the varistor is connected as default. For frame size R2, the varistor is disconnected as default.

A drive with the ground-to-phase varistor connected can be installed to a symmetrically grounded TN-S system. If you install the drive to another system, you may need to disconnect the varistor. See [When to disconnect ground-to-phase varistor, or connect EMC filter](#).



WARNING!

Do not install the drive with the ground-to-phase varistor connected to a system that the varistor is not suitable for. If you do, the varistor circuit can be damaged.

■ When to disconnect ground-to-phase varistor, or connect EMC filter

The table shows different earthing systems, and when to disconnect ground-to-phase varistor, or connect EMC filter, ie, maintain or remove the factory default EMC screw or VAR screw.



WARNING!

Failure to remove the metal VAR screw, when indicated in the table, can cause danger or drive failure.

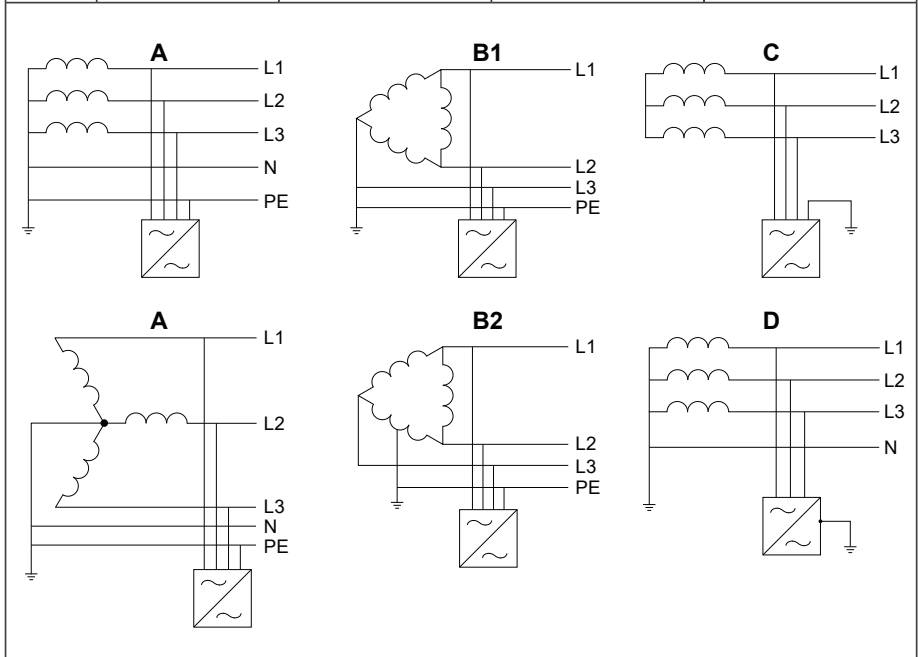




WARNING!

Do not install the metal EMC screw in systems other than the symmetrically grounded TN-S system. It can cause danger, or damage to the drive.

Screw label	Factory default screw material	Earthing systems and factory default EMC or VAR screw		
		Symmetrically grounded TN-S systems, i.e. center grounded-wye (A)	Corner-grounded delta (B1), mid-point-grounded delta (B2) and TT (D) systems	IT systems (un-grounded or high-resistance grounded) (C)
EMC	Plastic	Can install the metal screw. ¹⁾	Maintain the plastic screw.	Maintain the plastic screw.
VAR	<u>Frames R1, R3, R4</u> : metal	Maintain the metal screw.	Maintain the metal screw.	Remove the metal screw.
	<u>Frame R2</u> : plastic	Maintain the plastic screw.	Maintain the plastic screw.	Maintain the plastic screw.



¹⁾ If you are concerned with EMC issues, you can install the metal screw and connect the EMC filter. The metal screw is included in the drive delivery.

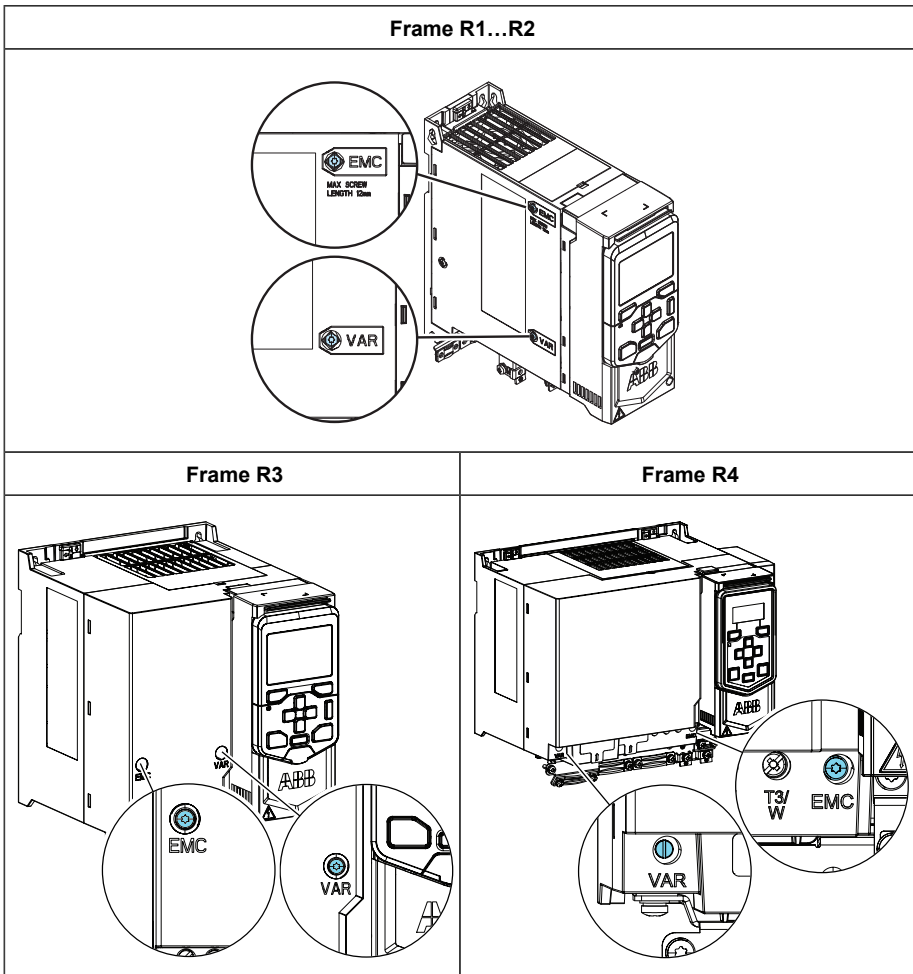


■ **Disconnecting the ground-to-phase varistor, or connecting the EMC filter**

Before you continue, see *When to disconnect ground-to-phase varistor, or connect EMC filter (page 90)*. Obey the guidelines.

1. Do the steps in section *Electrical safety precautions (page 17)* before you start the work.
2. To disconnect the varistor, remove the metal VAR screw.
3. To connect the EMC filter, remove the plastic EMC screw, and replace it with the metal screw included in the drive delivery.

EMC/VAR screw location



■ Guidelines for installing the drive to a TT system

You can install the drive to a TT system under these conditions:

1. There is a residual current device in the supply system
2. The internal EMC filter is disconnected. If the EMC filter is not disconnected, its leakage current will cause the residual current device to trip.

Note:

- ABB does not guarantee the EMC category, because the internal EMC filter is disconnected.
- ABB does not guarantee the functioning of the ground leakage detector built inside the drive.
- In large systems the residual current device can trip without a real reason.

■ Identifying the earthing system of the electrical power network



WARNING!

Only a qualified electrical professional may do the work instructed in this section. Depending on the installation site, the work may even be categorized as live working. Continue only if you are an electrical professional certified for the work. Obey the local regulations. If you ignore them, injury or death can occur.

To identify the earthing system, examine the supply transformer connection. See the applicable electrical diagrams of the building. If that is not possible, measure these voltages at the distribution board, and use the table to define the earthing system type.

1. input voltage line to line (U_{L-L})
2. input voltage line 1 to ground (U_{L1-G})
3. input voltage line 2 to ground (U_{L2-G})
4. input voltage line 3 to ground (U_{L3-G}).



The table below shows the line-to-ground voltages in relation to the line-to-line voltage for each earthing system.

U_{L-L}	U_{L1-G}	U_{L2-G}	U_{L3-G}	Electrical power system type
X	$0.58 \cdot X$	$0.58 \cdot X$	$0.58 \cdot X$	Symmetrically grounded TN system (TN-S system)
X	$1.0 \cdot X$	$1.0 \cdot X$	0	Corner-grounded delta system (nonsymmetrical)
X	$0.866 \cdot X$	$0.5 \cdot X$	$0.5 \cdot X$	Midpoint-grounded delta system (nonsymmetrical)
X	Varying level versus time	Varying level versus time	Varying level versus time	IT systems (ungrounded or high-resistance-grounded [>30 ohms]) nonsymmetrical
X	Varying level versus time	Varying level versus time	Varying level versus time	TT system (the protective earth connection for the consumer is provided by a local earth electrode, and there is another independently installed at the generator)

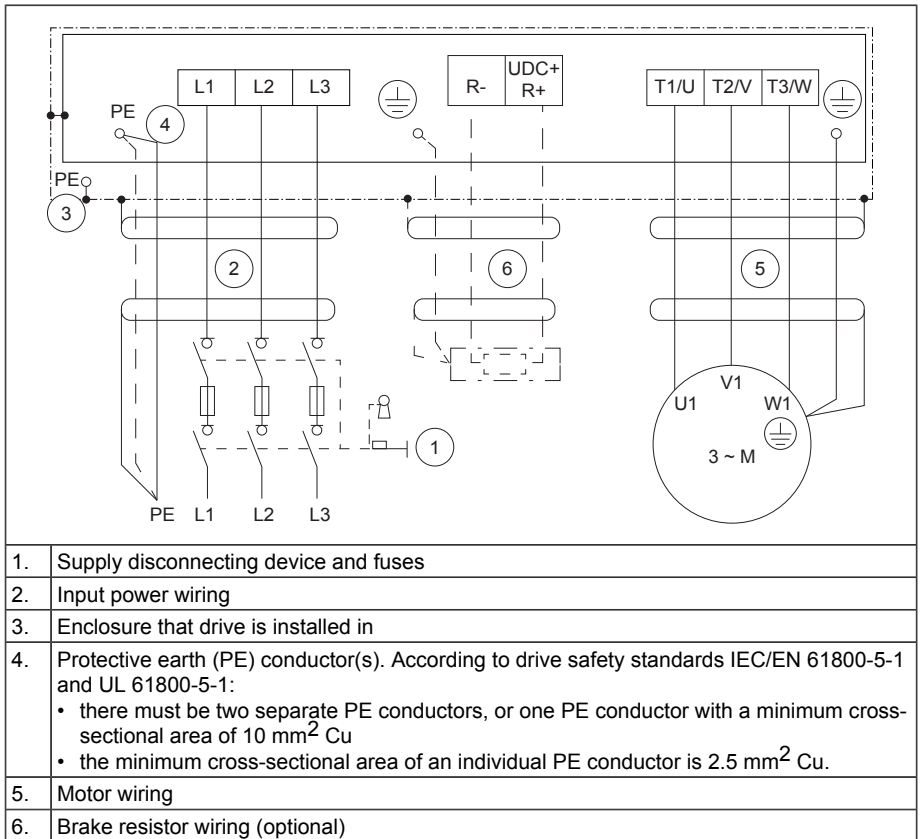
Connecting the power cables – North America (wiring in conduits)

Use insulated wires suitable for the installation in electric conduits. See the National Electric Code and Local ordinances.

Note: ABB prefers the use of a symmetrical shielded motor cable (VFD cable).



■ **Connection diagram**



■ **Connection procedure**



WARNING!

Obey the safety instructions of the drive. If you ignore them, injury or death, or damage to the equipment can occur.

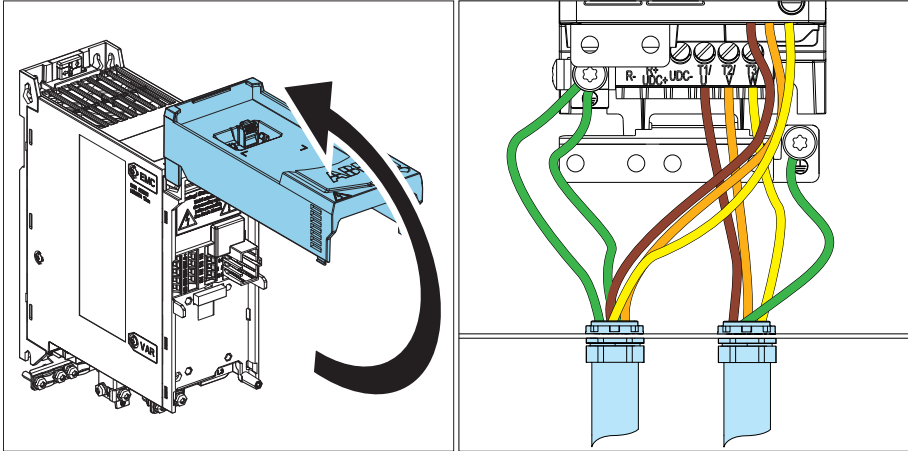
If you are not a qualified electrical professional, do not do installation or maintenance work.

Refer to *Terminal data for the power cables (page 140)* for the tightening torques.

1. Do the steps in section *Electrical safety precautions (page 17)* before you start the work.
2. Install the conduits, and attach them to the cable entry plate of the enclosure that the drive is installed in.



3. Make sure that the conduit is correctly grounded at the cable entry.
4. Strip the conductor ends and pull the conductors through the conduits.
5. Open the locking screw of the drive front cover and lift the front cover up.
6. Attach the residual voltage warning sticker in the local language to the drive.
7. Connect the conductors to the drive.
8. Connect the other ends of the conductors.



Connecting the control cables

Before you connect the control cables, make sure that all option modules are installed.

■ Default I/O connection diagrams (HVAC default)

The connection diagrams below are valid for the standard drive variant, that is, drive equipped with the RIIO-01 I/O & EIA-485 module.

Connection	Term. 1)	Description	2)
Analog inputs and outputs			
	SCR	Signal cable shield (screen)	
	AI1	Output frequency: 0 ... 10 V	
	AGND	Analog input circuit common	
	+10 V	Reference voltage 10 V DC	
	AI2	Not configured	
	AGND	Analog input circuit common	
	AO1	Output frequency: 0 ... 20 mA	
	AO2	Motor current: 0 ... 20 mA	
AGND	Analog output circuit common		

Connection	Term. 1)	Description	2)	
Digital inputs and auxiliary voltage output				
	+24V	Aux. voltage output +24 V DC, max. 250 mA ³⁾	×	
	DGND	Aux. voltage output common	×	
	DCOM	Digital input common for all	×	
	DI1	DI1	Stop (0) / Start (1)	×
	DI2	DI2	Not configured	×
	DI3	DI3	Constant output frequency selection ⁴⁾	
	DI4	DI4	Start interlock 1 (1 = allow start)	
	DI5	DI5	Not configured	
	DI6	Not configured		
Relay outputs				
	+24V	Aux. voltage output +24 V DC, max. 250 mA ³⁾		
	DGND	Aux. voltage output common		
	DCOM	Digital input common for all		
	RO1C	Common	Damper control 250 V AC / 30 V DC, 2 A	×
	RO1A	Norm. closed		×
	RO1B	Norm. open		×
	RO2C	Common	Running 250 V AC / 30 V DC, 2 A	
	RO2A	Norm. closed		
	RO2B	Norm. open		
	RO3C	Common	Fault (-1) 250 V AC / 30 V DC, 2 A	
	RO3A	Norm. closed		
	RO3B	Norm. open		
	Embedded EIA-485			
		B+	Embedded fieldbus (EIA-485)	
		A-		
DGND				
	TERM	Termination switch. ON = on. 1 = off.		
Safe torque off				
	SGND	Safe torque off. Factory connection. Both circuits must be closed for the drive to start.	×	
	IN1			×
	IN2			×
	OUT1			×



Connection	Term. 1)	Description	2)
Auxiliary voltage input/output			
	+24V	Aux. voltage output +24 V DC, max. 250 mA ³⁾	
	DGND	Aux. voltage output common	
	DCOM	Digital input common for all	

- 1) Terminal size: 0.14 ... 1.5 mm² (26 ... 16 AWG) Tightening torque: 0.5 ... 0.6 N·m (4.4 ... 5.3 lbf·in)
- 2) × = base unit, empty = RIIO-01 module
- 3) The sum output current from 24 V terminals of base unit and RIIO-01 module must not exceed 250 mA.
- 4) Drive output frequency:

DI3	DI4	Operation/Parameter
0	0	Set output frequency through AI1
1	0	28.26 Constant frequency 1
0	1	28.27 Constant frequency 2
1	1	28.28 Constant frequency 3

■ **Default fieldbus connection diagram**

The connection diagrams are valid for the base unit equipped with an optional fieldbus adapter module.

Connection	Term. 1)	Description	2)	
Auxiliary voltage output and digital inputs				
	+24V	Aux. voltage output +24 V DC, max. 250 mA	×	
	DGND	Aux. voltage output common	×	
	DCOM	Digital input common for all	×	
	DI1	Stop (0) / Start (1)	×	
	DI2	Not configured	×	
Relay outputs				
	+24V	Aux. voltage output +24 V DC, max. 250 mA	×	
	DGND	Aux. voltage output common	×	
	DCOM	Digital input common for all	×	
	RO1C	Common	Damper control 250 V AC / 30 V DC, 2 A	×
	RO1A	Norm. closed		×
	RO1B	Norm. open		×
Safe torque off				
	SGND	Safe torque off. Factory connection. Both circuits must be closed for the drive to start.	×	
	IN1		×	
	IN2		×	
	OUT1		×	

Connection	Term. 1)	Description	2)
Fieldbus connection			
See the applicable fieldbus adapter manual.	DSUB9	+K457 FCAN-01 CANopen	
	DSUB9	+K454 FPBA-01 Profibus DP	
	RJ45×2	+K465 FBIP-21 BACnet/IP	
	RJ45×2	+K469 FECA-01 EtherCAT	
	RJ45×2	+K475 FENA-21 Ethernet/IP, Profinet, Modbus TCP	
	RJ45×2	+K470 FEPL-02 Ethernet Powerlink	
	Term.block	+K451 FDNA-01 DeviceNet	
	Term.block	+K458 FSCA-01 RS-485	
	8P8C×2	+K462 FCNA-01 ControlNet	
	RJ45×2	+K491 FMBT-21 Two-port Modbus/TCP adapter	
	RJ45×2	+K492 FPNO-21 Two-port Profinet IO adapter	

1) Terminal size: 0.14 ... 1.5 mm² (26 ... 16 AWG) Tightening torque: 0.5 ... 0.6 N·m (4.4 ... 5.3 lbf·in)

2) × = base unit, empty = fieldbus module

■ Control cable connection procedure

Keep the signal wire pairs twisted as near to the terminals as possible to prevent inductive coupling.



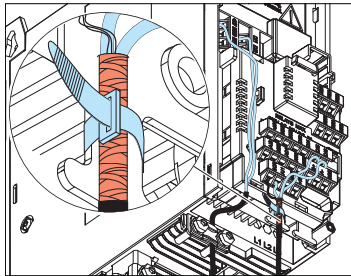
WARNING!

Obey the safety instructions of the drive. If you ignore them, injury or death, or damage to the equipment can occur.

If you are not a qualified electrical professional, do not do installation or maintenance work.

1. Stop the drive and do the steps in *Electrical safety precautions (page 17)* before you start the work.
2. Strip a part of the outer shield of the control cable for grounding.
3. Use a cable tie to ground the outer shield to the grounding tab. For 360-degree grounding, use metallic cable ties.
4. Strip the control cable conductors.
5. Connect the conductors to the correct control terminals. Tightening torque: 0.5 ... 0.6 N·m (4.4 ... 5.3 lbf·in).
6. Connect the shields and grounding wires to the SCR terminal. Tightening torque: 0.5 ... 0.6 N·m (4.4 ... 5.3 lbf·in).
7. Mechanically attach the control cables on the outside of the drive.



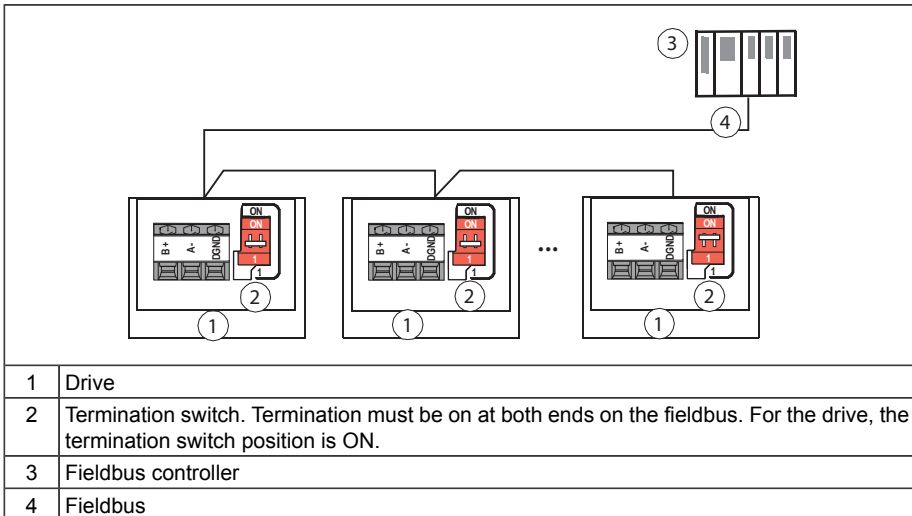


■ **Additional information on the control connections**

Connecting EIA-485 fieldbus cable to the drive

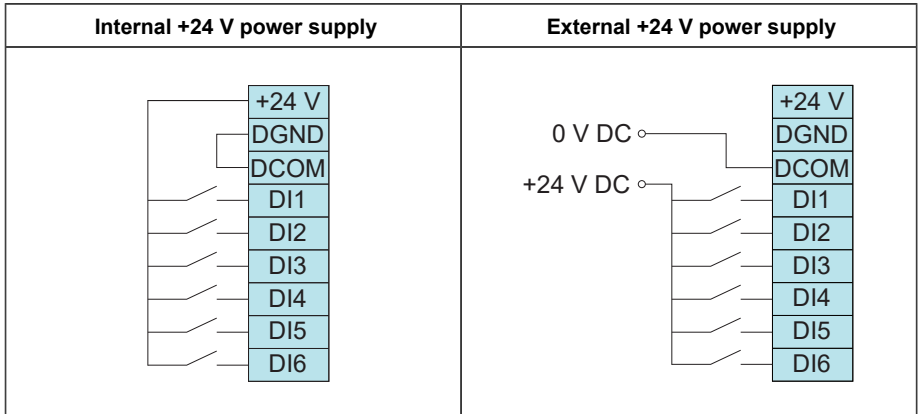
Connect the cable to the EIA-485 terminal on the RIIO-01 I/O & EIA-485 module, which is attached to the drive. The connection diagram is shown below.

The EIA-485 network uses shielded, twisted-pair cable with a characteristic impedance of 100 ... 130 ohm for data signaling. The distributed capacitance between conductors is less than 100 pF per meter (30 pF per foot). Distributed capacitance between conductors and shield is less than 200 pF per meter (60 pF per foot). Foil or braided shields are acceptable.



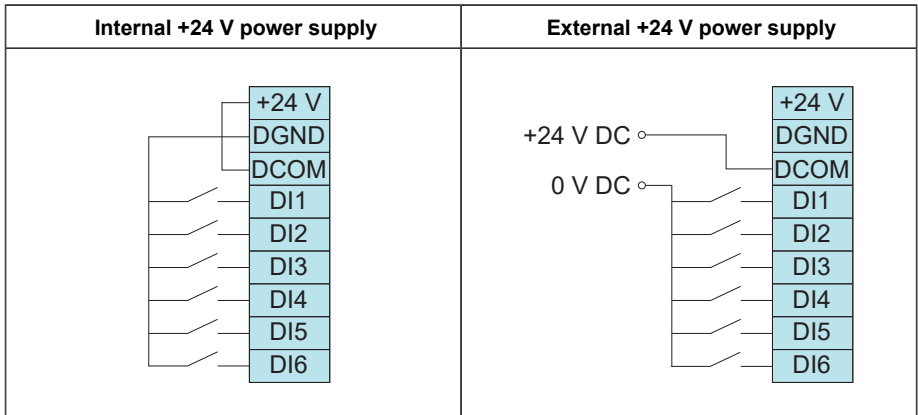
PNP configuration for digital inputs

Internal and external +24 V power supply connections for PNP (source) configuration are shown in the figure below.



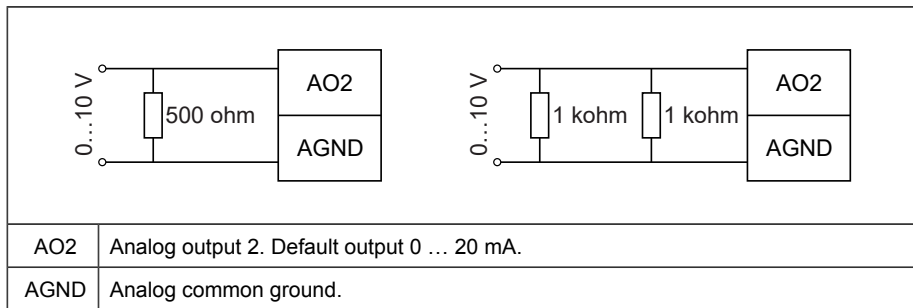
NPN configuration for digital inputs

Internal and external +24 V power supply connections for NPN (sink) configuration are shown in the figure below.



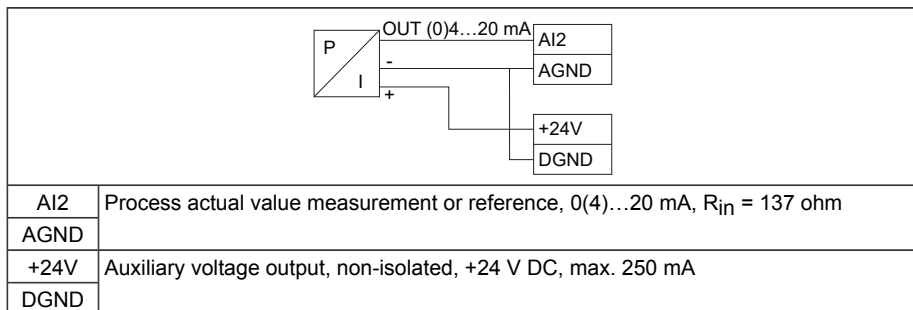
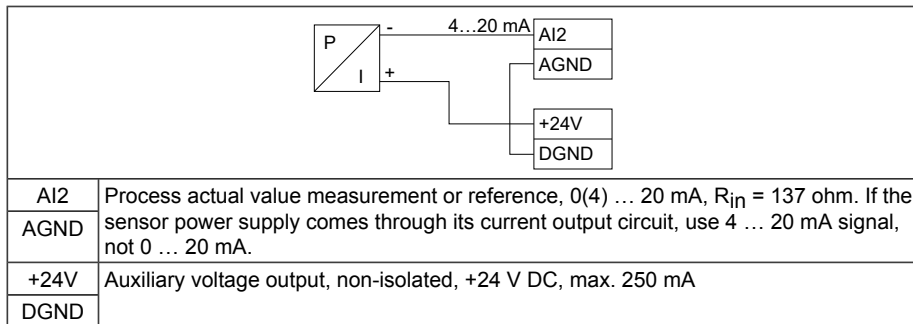
Connection for obtaining 0 ... 10 V from analog output 2 (AO2)

To obtain 0 ... 10 V from analog output AO2, connect a 500 ohm resistor (or two 1 kohm resistors in parallel) between AO2 and AGND. Examples are shown in the figure below.



Connection examples of two-wire and three-wire sensors

The figures give examples of connections for a two-wire or three-wire sensor/transmitter that is supplied by the auxiliary voltage output of the drive.



AI and AO (or AI, DI and +10 V) as PTC motor temperature sensor interface



WARNING!

IEC 60664 and IEC 61800-5-1 require double or reinforced insulation between live parts and accessible parts when:

- the accessible parts are not conductive, or
- the accessible parts are conductive, but not connected to the protective earth.

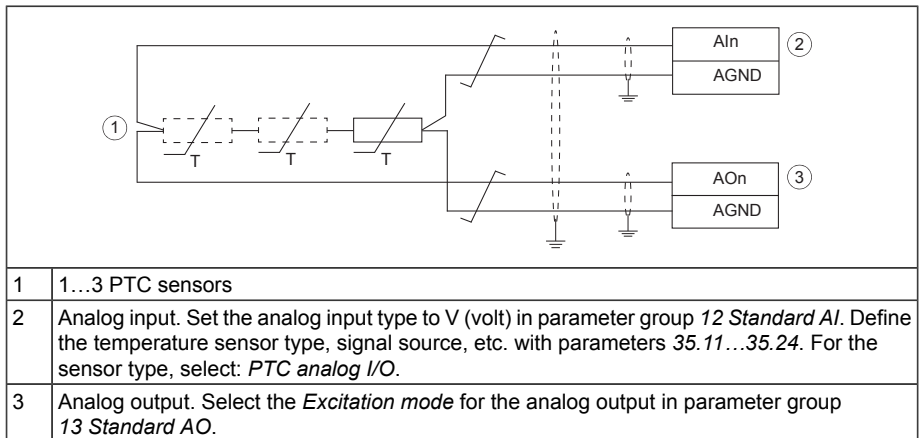
Obey this requirement when you plan the connection of the motor temperature sensor to the drive.

If the motor temperature sensor has a reinforced insulation vs. the motor windings, you can connect it directly to the drive IO interface. This section shows two connection alternatives for the direct I/O connection. If the sensor does not have reinforced insulation, you must use another type of connection to fulfill the safety requirements. See [Implementing a motor temperature sensor connection \(page 56\)](#).

See the firmware manual for information on the related Motor thermal protection function, and the required parameter settings.

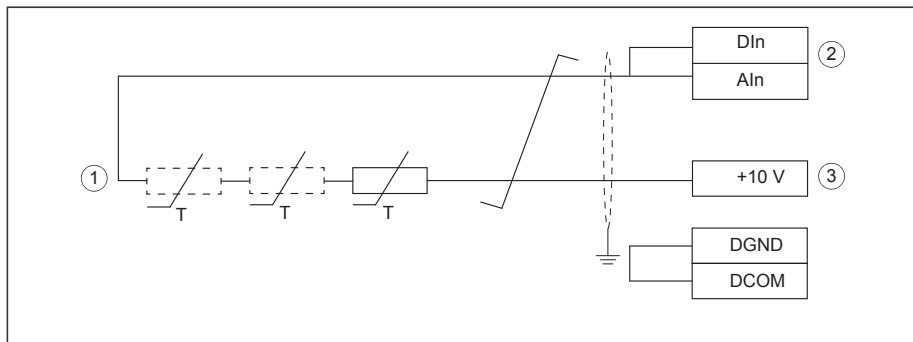
PTC connection 1

1...3 PTC sensors can be connected in series to an analog input and an analog output. The analog output feeds a constant excitation current of 1.6 mA through the sensor. The sensor resistance increases as the motor temperature rises, as does the voltage over the sensor. The temperature measurement function calculates the resistance of the sensor and generates an indication if overtemperature is detected. Leave the sensor end of the cable shield unconnected.



PTC connection 2

If no analog output is available for the PTC connection, it is possible to use a voltage divider connection. 1...3 PTC sensors are connected in series with 10 V reference and digital and analog inputs. The voltage over the digital input internal resistance varies depending on the PTC resistance. The temperature measurement function reads the digital input voltage through the analog input and calculates the PTC resistance.



1	1...3 PTC sensors
2	Digital input and analog input. Set the analog input type to V (volt) in parameter group 12 <i>Standard AI</i> . Define the temperature sensor type, signal source, etc. with parameters 35.11...35.24. For the sensor type, select: <i>PTC AI/DI Voltage Divider tree</i> . Make sure that the digital input is not configured to any other use by parameters.
3	10 V reference voltage

AI1 and AI2 as Pt100, Pt1000, Ni1000, KTY83 and KTY84 sensor inputs



WARNING!

IEC 60664 and IEC 61800-5-1 require double or reinforced insulation between live parts and accessible parts when:

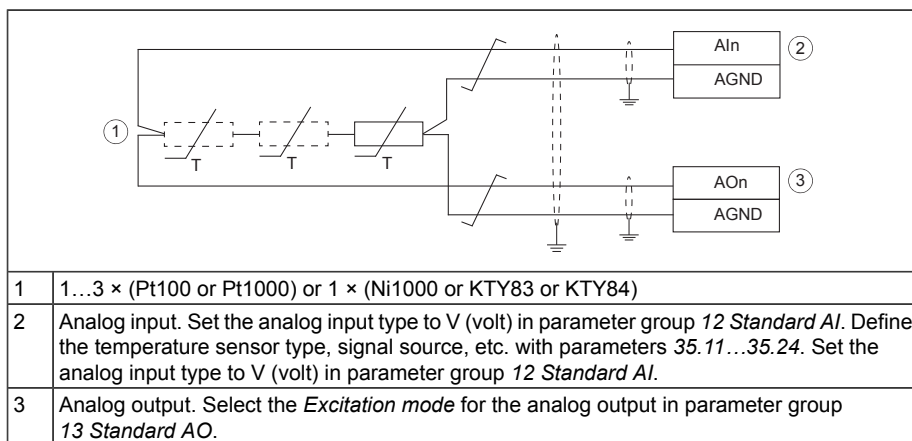
- the accessible parts are not conductive, or
- the accessible parts are conductive, but not connected to the protective earth.

Obey this requirement when you plan the connection of the motor temperature sensor to the drive.

If the motor temperature sensor has a reinforced insulation vs. the motor windings, you can connect it directly to the drive IO interface. This section shows the connection. If the sensor has no reinforced insulation, you must use another type of connection to fulfill the safety requirements. See [Implementing a motor temperature sensor connection \(page 56\)](#).

You can connect temperature measurement sensors (one, two or three Pt100 sensors; one, two or three Pt1000 sensors; or one Ni1000, KTY83 or KTY84) between an analog input and output as shown below. Leave the sensor end of the cable shield unconnected.

See the firmware manual for information on the related Motor thermal protection function.



Safe torque off

For the drive to start, both STO connections (OUT1-IN1 and OUT1-IN2) must be closed. By default, the terminal block has jumpers to close the circuit. Remove the jumpers before connecting external Safe torque off circuitry to the drive. See chapter [The Safe torque off function](#).

Auxiliary voltage connection

The drive has 24 V DC ($\pm 10\%$) auxiliary power supply terminals both on the base unit and on the RIIO-01 module. You can use them:

- to supply auxiliary power from the drive to external control circuits or option modules
- to supply external auxiliary power to the drive to keep the control and cooling in operation if there is a power outage.

See the technical data for the specifications for the auxiliary power supply terminals (input/output).

To supply power to external control circuits or option modules:

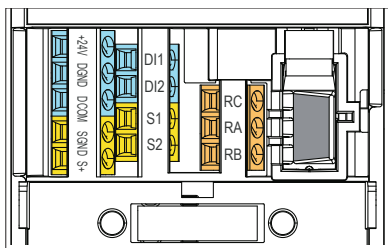
1. Connect the load either to the auxiliary power output on the base unit, or on the RIIO-01 module (+24V and DGND terminals).
2. Make sure that you do not exceed the load capacity of the output, or the sum load capacity of both outputs.

To connect an external auxiliary power supply to the drive:

1. Install a BAPO-01 power extension module to the drive. See [Installing options \(page 82\)](#).
2. Connect an external power supply to the +24V and DGND terminals of the base unit.



For more information on the BAPO-01 module, see [BAPO-01 auxiliary power extension module \(page 199\)](#).



Connecting a PC

You can connect a PC to the drive. To communicate with the drive, the PC must have suitable software (for example, Drive composer) installed.

If you have an assistant control panel (ACH-AP-H or ACH-AP-W), use a USB data cable (Type A - Type B, maximum length 3 m [9.8 ft]) to connect to the PC. Connect the cable as follows:

1. Open the USB connector cover on the control panel.
2. Connect the USB cable Mini-B plug to the control panel USB connector.
3. Connect the USB cable A plug to the USB port of the PC. The panel shows text "USB connected".

Note: You cannot use the control panel keys when the drive is connected to a PC.

If you have a RDUM-01 blank panel or CDPI-02 panel bus adapter installed, use a BCBL-01 USB-RJ45 converter to connect to the PC.

It is also possible to use a CCA-01 configuration adapter when the drive is not connected to the power supply network or to an external 24 V supply. The CCA-01 does not operate if the drive is powered.

Installing options

The drive has two option module slots:

- Front option: Communication module slot under the front cover.
- Side option: Multifunction extension module slot on the side of the drive.

Refer also to the fieldbus module manual for the installation instructions. For other option modules, see:

- [BAPO-01 auxiliary power extension module \(page 199\)](#)
- [BIO-01 I/O extension module \(page 203\)](#)
- [BREL-01 relay output extension module \(page 207\)](#).

■ Installing a front option

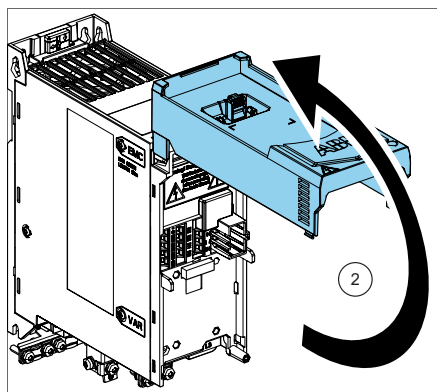
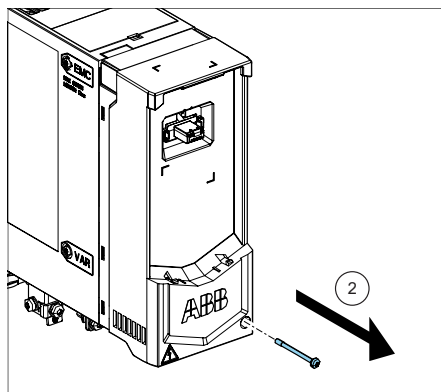


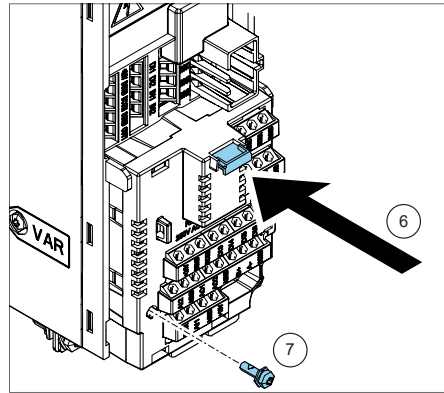
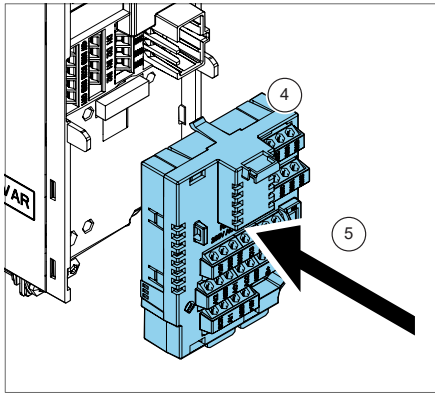
WARNING!

Obey the safety instructions of the drive. If you ignore them, injury or death, or damage to the equipment can occur.

If you are not a qualified electrical professional, do not do installation or maintenance work.

1. Stop the drive and do the steps in section *Electrical safety precautions (page 17)* before you start the work.
2. Loosen the locking screw of the front cover and lift the front cover up.
3. If the option module has a locking tab, pull it up.
4. Carefully align the option module with the option module slot in the front of the drive.
5. Fully push the option module into position.
6. If the option module has a locking tab, push it down until it locks.
7. Tighten the locking screw to fully attach and electrically ground the front option.
8. Connect the control cables. See the control cable connection instructions.





Note: If you have the BIO-01 option module, you can add one additional fieldbus module on top of it.

■ Installing a side option



WARNING!

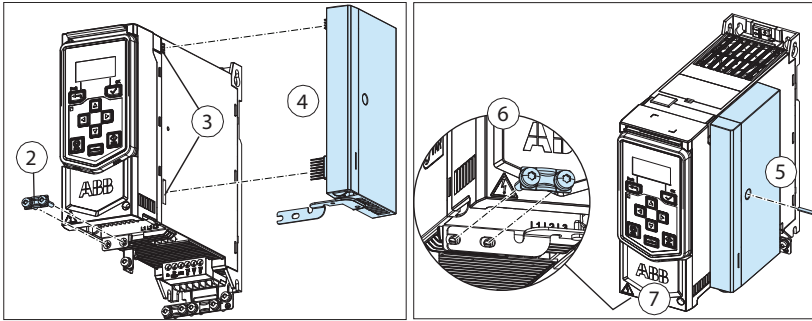
Obey the safety instructions of the drive. If you ignore them, injury or death, or damage to the equipment can occur.

If you are not a qualified electrical professional, do not do installation or maintenance work.

1. Stop the drive and do the steps in section *Electrical safety precautions (page 17)* before you start the work.
2. Remove the two screws from the front-most grounding clamp at the bottom of the drive.
3. Carefully align the side option with the connectors on the right side of the drive.
4. Fully push the option module into position.
5. Tighten the locking screw of the option module.



6. Attach the grounding bar to the bottom of the side option and to the front ground tab on the drive.
7. Connect the control cables. See the control cable connection instructions.





Installation checklist of the drive

Contents of this chapter

This chapter contains a checklist of the mechanical and electrical installation of the drive.

Checklist

Examine the mechanical and electrical installation of the drive before start-up. Go through the checklist together with another person.



WARNING!

Obey the safety instructions of the drive. If you ignore them, injury or death, or damage to the equipment can occur.

If you are not a qualified electrical professional, do not do installation or maintenance work.



WARNING!

Stop the drive and do the steps in section [Electrical safety precautions \(page 17\)](#) before you start the work.

Make sure that ...	<input checked="" type="checkbox"/>
The ambient operating conditions meet the drive ambient conditions specification, and enclosure rating (IP code or UL enclosure type).	<input type="checkbox"/>

112 Installation checklist of the drive

Make sure that ...	<input checked="" type="checkbox"/>
The supply voltage matches the nominal input voltage of the drive. See the type designation label.	<input type="checkbox"/>
The insulation resistance of the input power cable, motor cable and motor is measured according to local regulations.	<input type="checkbox"/>
The drive is attached securely on an even, vertical and non-flammable wall.	<input type="checkbox"/>
The cooling air flows freely in and out of the drive.	<input type="checkbox"/>
<u>If the drive is connected to a network other than a symmetrically grounded TN-S system:</u> You have done all the required modifications (for example, you may need to disconnect the EMC filter or ground-to-phase varistor). See the electrical installation instructions.	<input type="checkbox"/>
Appropriate AC fuses and main disconnecter are installed.	<input type="checkbox"/>
There is an adequately sized protective earth (ground) conductor(s) between the drive and the switchboard, the conductor is connected to correct terminal, and the terminal is tightened to the correct torque. Proper grounding has also been measured according to the regulations.	<input type="checkbox"/>
The input power cable is connected to the correct terminals, the phase order is correct, and the terminals are tightened to the correct torque.	<input type="checkbox"/>
There is an adequately sized protective earth (ground) conductor between the motor and the drive, and the conductor is connected to the correct terminal, and the terminal is tightened to the correct torque. Proper grounding has also been measured according to the regulations.	<input type="checkbox"/>
The motor cable is connected to the correct terminals, the phase order is correct, and the terminals are tightened to the correct torque.	<input type="checkbox"/>
The motor cable is routed away from other cables.	<input type="checkbox"/>
No power factor compensation capacitors are connected to the motor cable.	<input type="checkbox"/>
<u>If an external brake resistor is connected to the drive:</u> There is an adequately sized protective earth (ground) conductor between the brake resistor and the drive, and the conductor is connected to the correct terminal, and the terminals are tightened to the correct torque. Proper grounding has also been measured according to the regulations.	<input type="checkbox"/>
<u>If an external brake resistor is connected to the drive:</u> The brake resistor is connected to the correct terminals, and the terminals are tightened to the correct torque.	<input type="checkbox"/>
<u>If an external brake resistor is connected to the drive:</u> The brake resistor cable is routed away from other cables.	<input type="checkbox"/>
The control cables are connected to the correct terminals, and the terminals are tightened to the correct torque.	<input type="checkbox"/>

Make sure that ...	<input checked="" type="checkbox"/>
<u>If a drive bypass connection will be used:</u> The direct-on-line contactor of the motor and the drive output contactor are either mechanically and/or electrically interlocked, that is, they cannot be closed at the same time. A thermal overload device must be used for protection when bypassing the drive. Refer to local codes and regulations.	<input type="checkbox"/>
There are no tools, foreign objects or dust from drilling inside the drive.	<input type="checkbox"/>
The area in front of the drive is clean: the drive cooling fan cannot draw any dust or dirt inside.	<input type="checkbox"/>
Drive covers and cover of the motor connection box are in place.	<input type="checkbox"/>
The motor and the driven equipment are ready for power-up.	<input type="checkbox"/>



Maintenance

Contents of this chapter

The chapter contains the preventive maintenance instructions.

Maintenance intervals

The table below shows the maintenance tasks which can be done by the end user. The complete maintenance schedule is available on the Internet (www.abb.com/driveservices). For more information, consult your local ABB Service representative (www.abb.com/searchchannels).

Recommended annual actions by the user	
Connections and environment	
Quality of the supply voltage	P
Spare parts	
Spare parts	I
Reforming DC circuit capacitors of spare modules	P
Inspections	
Tightness of terminals	I
Dustiness, corrosion and temperature	I
Cleaning the heatsink	P

Maintenance task/object	Years from start-up						
	3	6	9	12	15	18	21
Cooling fans							
Main cooling fan (frames R1...R4)		R		R		R	
Batteries							
Control panel battery			R			R	

Symbols

- I Inspection** (visual inspection and maintenance action if needed)
P Performance of on/off-site work (commissioning, tests, measurements or other work)
R Replacement

Maintenance and component replacement intervals are based on the assumption that the equipment is operated within the specified ratings and ambient conditions. ABB recommends annual drive inspections to ensure the highest reliability and optimum performance.

Note: Long term operation near the specified maximum ratings or ambient conditions may require shorter maintenance intervals for certain components. Consult your local ABB Service representative for additional maintenance recommendations.

Cleaning the heatsink

The drive module heatsink fins pick up dust from the cooling air. The drive runs into overtemperature warnings and faults if the heatsink is not clean. When necessary, clean the heatsink as follows.



WARNING!

Obey the safety instructions of the drive. If you ignore them, injury or death, or damage to the equipment can occur.

If you are not a qualified electrical professional, do not do installation or maintenance work.



WARNING!

Use a vacuum cleaner with antistatic hose and nozzle, and wear a grounding wristband. Using a normal vacuum cleaner creates static discharges which can damage circuit boards.

1. Stop the drive and do the steps in section [Electrical safety precautions \(page 17\)](#) before you start the work.
2. Remove the drive module from the cabinet.
3. Remove the module cooling fan(s). See the separate instructions.

4. Blow dry, clean and oil-free compressed air from bottom to top and simultaneously use a vacuum cleaner at the air outlet to trap the dust. If there is a risk of dust entering adjoining equipment, do the cleaning in another room.
5. Reinstall the cooling fan.

Replacing the cooling fans

Parameter *05.04 Fan on-time counter* shows the running time of the cooling fan. After you replace the fan, reset the fan counter. Refer to the firmware manual.

You can get replacement fans from ABB. Use only ABB specified spare parts.

■ To replace the cooling fan for frame sizes R1, R2 and R3

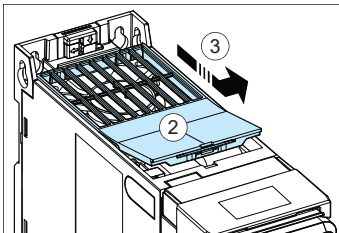


WARNING!

Obey the safety instructions of the drive. If you ignore them, injury or death, or damage to the equipment can occur.

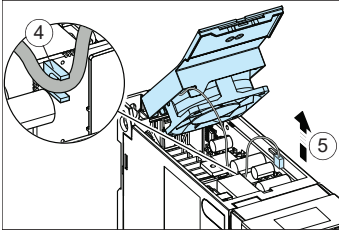
If you are not a qualified electrical professional, do not do installation or maintenance work.

1. Stop the drive and do the steps in section *Electrical safety precautions (page 17)* before you start the work.
2. Use a suitable flat screwdriver to open the fan cover.
3. Carefully lift the fan cover out of the drive. The fan cover holds the cooling fan.

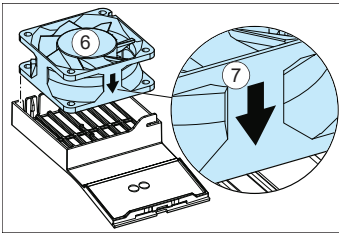


4. Remove the fan power cable from the cable slot in the drive.

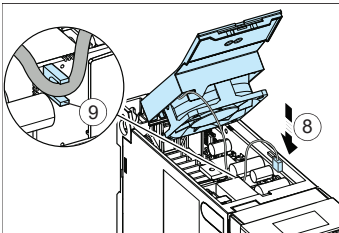
5. Disconnect the fan power cable.



6. Free the fan clips and remove the fan from the fan cover.
7. Install the new fan into the fan cover. Make sure that the air flow is in the correct direction. The air flows in from the bottom of the drive and out from the top of the drive.

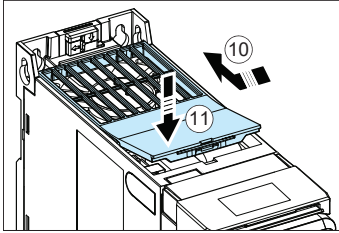


8. Connect the fan power cable.
9. Put the fan power cable into the cable slot in the drive.



10. Carefully put the fan cover into position in the drive. Make sure that the fan power cable is routed correctly.
-

11. Push the cover to lock into position.



■ To replace the cooling fan for frame R4

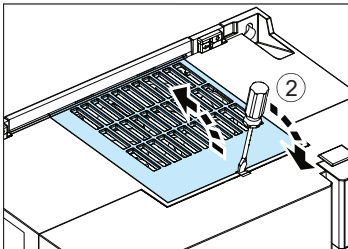


WARNING!

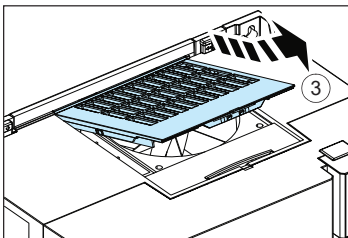
Obey the safety instructions of the drive. If you ignore them, injury or death, or damage to the equipment can occur.

If you are not a qualified electrical professional, do not do installation or maintenance work.

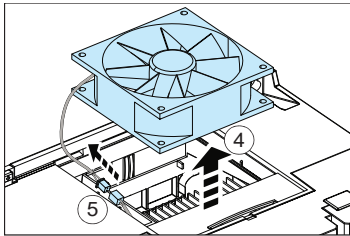
1. Stop the drive and do the steps in section *Electrical safety precautions (page 17)* before you start the work.
2. Use a suitable flat screwdriver to open the fan cover.



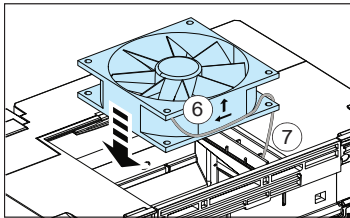
3. Lift out the fan cover and set it aside.



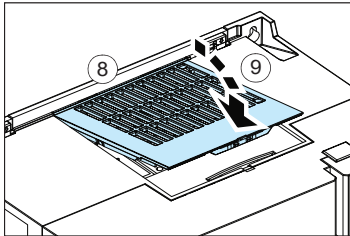
4. Lift and pull the fan from its base.
5. Disconnect the fan power cable from the extension cable connector.



6. Replace the fan. The arrow indicating the air flow direction must point up.
7. Connect the fan power cable.



8. Place the fan cover back on the frame.
9. Push the cover to lock into position.



Capacitors

The DC link of the drive contains several electrolytic capacitors. Operating time, load, and surrounding air temperature have an effect on the life of the capacitors. Capacitor life can be extended by decreasing the surrounding air temperature.

Capacitor failure is usually followed by damage to the unit and an input cable fuse failure, or a fault trip. If you think that any capacitors in the drive have failed, contact ABB.

■ Reforming the capacitors

The capacitors must be reformed if the drive has not been powered (either in storage or unused) for a year or more. The manufacturing date is on the type designation label. For information on reforming the capacitors, see *Capacitor reforming instructions* (3BFE64059629 [English]) in the ABB Library (<https://library.abb.com/en>).

10

Technical data

Contents of this chapter

The chapter contains the technical specifications of the drive, such as ratings, sizes and technical requirements as well as provisions for fulfilling the requirements for CE, UL and other approval marks.

Electrical ratings

■ IEC ratings

IEC type ACH480- 04-...	Input current		Output ratings					Frame
	No choke	With choke	Max. current	Nominal use		Light-duty use		
	I_1	I_1	I_{max}	I_N	P_N	I_{Ld}	P_{Ld}	
	A	A	A	A	kW	A	kW	
3-phase $U_N = 400$ V								
02A7-4	4.2	2.6	3.2	2.6	0.75	2.5	0.75	R1
03A4-4	5.3	3.3	4.7	3.3	1.1	3.1	1.1	R1
04A1-4	6.4	4.0	5.9	4.0	1.5	3.8	1.5	R1
05A7-4	9.0	5.6	7.2	5.6	2.2	5.3	2.2	R1
07A3-4	11.5	7.2	10.1	7.2	3.0	6.8	3.0	R1
09A5-4	15.0	9.4	13.0	9.4	4.0	8.9	4.0	R1
12A7-4	20.2	12.6	16.9	12.6	5.5	12.0	5.5	R2
018A-4	27.2	17.0	22.7	17.0	7.5	16.2	7.5	R3
026A-4	40.0	25.0	30.6	25.0	11.0	23.8	11.0	R3
033A-4	45.0	32.0	45.0	32.0	15.0	30.5	15.0	R4
039A-4	50.0	38.0	57.6	38.0	18.5	36.0	18.5	R4

IEC type ACH480- 04-...	Input current		Output ratings					Frame
	No choke	With choke	Max. current	Nominal use		Light-duty use		
	I_1	I_1		I_{max}	I_N	P_N	I_{Ld}	
	A	A	A	A	kW	A	kW	
046A-4	56.0	45.0	68.4	45.0	22.0	42.8	22.0	R4
050A-4	60.0	50.0	81.0	50.0	22.0	48.0	22.0	R4

See [Definitions \(page 125\)](#).

■ UL (NEC) ratings

UL (NEC) type ACH480- 04-...	Input current		Output ratings					Frame
	No choke	With choke	Max. current	Nominal use		Light-duty use		
	I_1	I_1		I_{max}	I_N	P_N	I_{Ld}	
	A	A	A	A	hp	A	hp	
3-phase $U_N = 480$ V								
02A1-4	3.4	2.1	2.9	2.1	1.0	2.1	1.0	R1
03A0-4	4.8	3.0	3.8	3.0	1.5	3.0	1.5	R1
03A5-4	5.6	3.5	5.4	3.5	2.0	3.5	2.0	R1
04A8-4	7.7	4.8	6.1	4.8	3.0	4.8	3.0	R1
06A0-4	9.6	6.0	7.2	6.0	3.0	6.0	3.0	R1
07A6-4	12.2	7.6	8.6	7.6	5.0	7.6	5.0	R1
011A-4	17.6	11.0	13.7	11.0	7.5	11.0	7.5	R2
014A-4	22.4	14.0	19.8	14.0	10.0	14.0	10.0	R3
021A-4	33.6	21.0	25.2	21.0	15.0	21.0	15.0	R3
027A-4	37.9	27.0	37.8	27.0	20.0	27.0	20.0	R4
034A-4	44.7	34.0	48.6	34.0	25.0	34.0	25.0	R4
042A-4	50.4	42.0	72.0	42.0	30.0	42.0	30.0	R4

See [Definitions \(page 125\)](#).

■ Definitions

The ratings are valid at a maximum surrounding air temperature of 50 °C (122 °F), with the default drive switching frequency of 4 kHz (parameter 97.01), and with an installation altitude below 1000 m (3281 ft).

U_N	Nominal input voltage of the drive. For input voltage range U1, see section Electrical power network specification (page 143) .
I_1	Nominal input current. Continuous rms input current (for dimensioning cables and fuses).
I_{max}	Maximum output current. Available for two seconds every 10 minutes when output frequency is below 9 Hz. Maximum current setting (parameter 30.17) can also limit the value.
I_N	Nominal output current. Maximum continuous rms output current (no overload).
P_N	Typical motor power in nominal use (no overloading). The kilowatt ratings are applicable to most IEC 4-pole (400 V, 50 Hz) motors. The horsepower ratings are applicable to most NEMA 4-pole motors (460 V, 60 Hz).
I_{Ld}	Continuous rms output current. Allows 10% overload for 1 minute every 10 minutes.
P_{Ld}	Typical motor power in light-duty use (10% overload). The kilowatt ratings are applicable to most IEC 4-pole (400 V, 50 Hz) motors. The horsepower ratings are applicable to most NEMA 4-pole motors (460 V, 60 Hz).

■ Sizing

ABB recommends the DriveSize tool for selecting the drive, motor and gear combination (<http://new.abb.com/drives/software-tools/drivesize>). You can also use the ratings tables.

Output derating

The load capacity (I_N , I_{Ld}) decreases in some situations. In such situations, where full motor power is required, oversize the drive so that the total derated output current is sufficient for the motor to reach the full power.

In an environment where more than one type of derating is necessary (for example, high altitude and high temperature), the effects of derating are cumulative.

Note:

- I_{max} is not derated.
- The motor can also have a derating on it.
- You can also use the DriveSize tool for derating.

See [Surrounding air temperature derating \(page 128\)](#), [Altitude derating \(page 128\)](#) and [Switching frequency derating \(page 128\)](#) for the derating values.

Example 1, IEC: How to calculate the derated current

The drive type is ACH480-04-018A-4, which has a nominal output current (I_N) of 17 A at 400 V. Calculate the derated output current at 4 kHz switching frequency, at 1500 m altitude and at 55 °C surrounding air temperature.

Switching frequency derating: Derating is not necessary at 4 kHz.

Altitude derating: The derating factor for 1500 m is

$$1 - \frac{1500 \text{ m} - 1000 \text{ m}}{10000 \text{ m}} = 0.95$$

Surrounding air temperature derating: The derating factor for 55 °C surrounding air temperature is

$$1 - \frac{55 \text{ C} - 50 \text{ C}}{100 \text{ C}} = 0.95$$

Multiply the nominal drive output current by all the applicable derating factors. In this example, the derated output current becomes

$$I_N = 17 \text{ A} \cdot 0.95 \cdot 0.95 = 15.34 \text{ A}$$

Example 1, UL (NEC): How to calculate the derated current

The drive type is ACH480-04-014A-4, which has nominal output current (I_N) of 14 A at 480 V. Calculate the derated output current at 4 kHz switching frequency, at 6000 ft altitude and at 131 °F surrounding air temperature.

Switching frequency derating: Derating is not necessary at 4 kHz.

Altitude derating: The derating factor for 6000 ft is

$$1 - \frac{6000 \text{ ft} - 3281 \text{ ft}}{32810 \text{ ft}} = 0.917$$

Surrounding air temperature derating: The derating factor for 131 °F surrounding air temperature is

$$1 - \frac{131 \text{ F} - 122 \text{ F}}{180 \text{ F}} = 0.95$$

Multiply the nominal drive output current by all the applicable derating factors. In this example, the derated output current becomes

$$I_N = 14 \text{ A} \cdot 0.917 \cdot 0.95 = 12.2 \text{ A}$$

Example 2, IEC: How to calculate the required drive

The application requires a nominal motor current of 6.0 A at a switching frequency of 8 kHz. The supply voltage is 400 V, the altitude is 1800 m and the surrounding air temperature is 35 °C.

Altitude derating: The derating factor for 1800 m is

$$1 - \frac{1800 \text{ m} - 1000 \text{ m}}{10000 \text{ m}} = 0.92$$

Surrounding air temperature derating: Derating is not necessary at 35 °C surrounding air temperature.

To see if the derated output current of a drive is sufficient for the application, multiply the nominal output current (I_N) by all the applicable derating factors. For example, drive type ACH480-04-12A7-4 has a nominal output current of 12.6 A at 400 V. The switching frequency derating factor for this drive type is 0.68 at 8 kHz. Calculate the derated drive output current:

$$I_N = 12.6 \text{ A} \cdot 0.68 \cdot 0.92 = 7.88 \text{ A}$$

In this example, the derated output current is sufficient, because it is more than the required current.

Example 2, UL (NEC): How to calculate the required drive

The application requires a maximum of 12.0 A of motor current with a 10% overload for one minute every ten minutes (I_{Ld}) at a switching frequency of 8 kHz. The supply voltage is 480 V, the altitude is 5500 ft and the surrounding air temperature is 95 °F.

Altitude derating: The derating factor for 5500 ft is

$$1 - \frac{5500 \text{ ft} - 3281 \text{ ft}}{32810 \text{ ft}} = 0.932$$

Surrounding air temperature derating: Derating is not necessary at 95 °F surrounding air temperature.

To see if the derated output current of a drive is sufficient for the application, multiply the drive output current for light-duty use (I_{Ld}) by all the applicable derating factors. For example, drive type ACH480-04-21A-4 has an output current of 21 A at 480 V. The switching frequency derating for this drive type is 0.67 at 8 kHz. Calculate the derated drive output current:

$$I_{Ld} = 21 \text{ A} \cdot 0.67 \cdot 0.932 = 13.11 \text{ A}$$

In this example, the derated output current is sufficient, because it is more than the required current.

■ Surrounding air temperature derating

Frame	Temperature	Derating
All	Less than 50 °C (122 °F)	No derating
R1...R3	50 ... 60 °C (122 ... 140 °F)	Output current decreases by 1% for every additional 1 °C (1.8 F).
R4	50 ... 60 °C (122 ... 140 °F)	Output current decreases by 1% for every additional 1 °C (1.8 F) on: IEC types <ul style="list-style-type: none"> • ACH480-04-033A-4 • ACH480-04-046A-4 UL (NEC) types <ul style="list-style-type: none"> • ACH480-04-027A-4 Output current decreases by 2% for every additional 1 °C (1.8 F) on: IEC types <ul style="list-style-type: none"> • ACH480-04-039A-4 • ACH480-04-050A-4 UL (NEC) types <ul style="list-style-type: none"> • ACH480-04-034A-4 • ACH480-04-042A-4

■ Altitude derating

400/480 V drives: In altitudes 1000 ... 4000 m (3281 ... 13123 ft) above sea level, the derating is 1% for every 100 m (328 ft). In addition:

- A maximum altitude of 4000 m (13123 ft) is permitted for these earthing systems: TN-S, TT. A maximum altitude of 2000 m (6562 ft) is permitted for these earthing systems: corner-grounded delta, IT (ungrounded).
- Above 2000 m (6562 ft), the maximum permitted voltage for the relay output RO1 decreases. At 4000 m (13123 ft), it is 30 V.
- Above 2000 m (6562 ft), the maximum permitted potential difference between the adjacent relays of the BREL-01 relay extension module (option +L511) decreases. At 4000 m (13123 ft), it is 30 V.

To calculate the derated output current, multiply the current in the ratings table with the derating factor k , which for x meters or feet is:

$$k = 1 - \frac{x - 1000 \text{ m}}{10000 \text{ m}}$$

$$k = 1 - \frac{x - 3281 \text{ ft}}{32810 \text{ ft}}$$

■ Switching frequency derating

Derating the drive output current is necessary when using high minimum switching frequencies. If you change parameter 97.02 *Minimum switching frequency*, calculate

the derated current. Multiply the drive output current with the applicable derating factor from the table.

Derating is not necessary when changing parameter *97.01 Switching frequency reference*.

Frame R4: If the application is cyclic and the surrounding air temperature is constantly over 40 °C (104 °F), keep parameter *97.02 Minimum switching frequency* at its default value (1.5 kHz). Higher switching frequencies decrease the product life time or the performance in the temperature range 40 ... 60°C (104 ... 140 °F).

IEC type ACH480- 04-...	Derating factor		
	≤ 4 kHz	8 kHz	12 kHz
3-phase $U_N = 400$ V			
02A7-4	1.0	0.65	0.48
03A4-4	1.0	0.65	0.48
04A1-4	1.0	0.65	0.48
05A7-4	1.0	0.65	0.48
07A3-4	1.0	0.65	0.48
09A5-4	1.0	0.65	0.48
12A7-4	1.0	0.68	0.51
018A-4	1.0	0.68	0.51
026A-4	1.0	0.67	0.51
033A-4	1.0	0.65	0.49
039A-4	1.0	0.65	0.49
046A-4	1.0	0.66	0.49
050A-4	1.0	0.66	0.49

UL (NEC) type ACH480- 04-...	Derating factor		
	≤ 4 kHz	8 kHz	12 kHz
3-phase $U_N = 480$ V			
02A1-4	1.0	0.65	0.48
03A0-4	1.0	0.65	0.48
03A5-4	1.0	0.65	0.48
04A8-4	1.0	0.65	0.48
06A0-4	1.0	0.65	0.48
07A6-4	1.0	0.65	0.48
011A-4	1.0	0.68	0.51
014A-4	1.0	0.68	0.51
021A-4	1.0	0.67	0.51
027A-4	1.0	0.65	0.49

UL (NEC) type ACH480- 04-...	Derating factor		
	≤ 4 kHz	8 kHz	12 kHz
034A-4	1.0	0.65	0.49
042A-4	1.0	0.66	0.49

Fuses

The tables list the fuses for protection against short-circuits in the input power cable or drive. The operating time depends on the supply network impedance, and the cross-sectional area and length of the supply cable.

Do not use fuses that have a higher current rating than specified in the table. You can use fuses from other manufacturers, if they meet the ratings, and if the melting curve of the fuse does not exceed the melting curve of the fuse mentioned in the table.

■ IEC fuses

Either fuse type can be used if it operates rapidly enough.

gG fuses (IEC)

Make sure that the operating time of the fuse is less than 0.5 seconds. Obey the local regulations.

IEC type ACH480-04-	Drive input current	Min. short-circuit current ¹⁾	gG fuses				IEC 60269 size
			Nominal current	I ² _t	Voltage rating	ABB type	
A		A	A	A ² _s	V		
3-phase U _N = 400 V							
02A7-4	4.2	48	6	110	500	OFAF000H6	000
03A4-4	5.3	48	6	110	500	OFAF000H6	000
04A1-4	6.4	80	10	360	500	OFAF000H10	000
05A7-4	9.0	80	10	360	500	OFAF000H10	000
07A3-4	11.5	128	16	740	500	OFAF000H16	000
09A5-4	15.0	128	16	740	500	OFAF000H16	000
12A7-4	20.2	200	25	2500	500	OFAF000H25	000
018A-4	27.2	256	32	4500	500	OFAF000H32	000
026A-4	40.0	400	50	15500	500	OFAF000H50	000
033A-4	45.0	504	63	20000	500	OFAF000H63	000
039A-4	50.0	640	80	36000	500	OFAF000H80	000
046A-4	56.0	800	100	65000	500	OFAF000H100	000
050A-4	60.0	800	100	65000	500	OFAF000H100	000

¹⁾ Minimum permitted short-circuit current of the electrical power network

gR fuses (IEC)

IEC type ACH480-04-	Drive input current	Min. short-circuit current ¹⁾	gR fuses				
			Nominal current	I^2t	Voltage rating	Bussmann type	IEC 60269 size
	A	A	A	A ² s	V		
3-phase $U_N = 400$ V							
02A7-4	4.2	48	25	125	690	170M2694	00
03A4-4	5.3	48	25	125	690	170M2694	00
04A1-4	6.4	80	32	275	690	170M2695	00
05A7-4	9.0	80	32	275	690	170M2695	00
07A3-4	11.5	128	40	490	690	170M2696	00
09A5-4	15.0	128	40	490	690	170M2696	00
12A7-4	20.2	200	50	1000	690	170M2697	00
018A-4	27.2	256	63	1800	690	170M2698	00
026A-4	40.0	400	80	3600	690	170M2699	00
033A-4	45.0	504	100	6650	690	170M2700	00
039A-4	50.0	640	125	12000	690	170M2701	00
046A-4	56.0	800	160	22500	690	170M2702	00
050A-4	60.0	800	160	22500	690	170M2702	00

1) Minimum permitted short-circuit current of the electrical power network

■ UL (NEC) fuses

UL (NEC) type ACH480- 04-...	Drive in- put cur- rent	Fuses				
		Nominal cur- rent	Voltage rating	Bussmann/ Edison type	Type	Max. fuse rating for group install- ation ¹⁾
	A	A	V			A
3-phase $U_N = 480$ V						
02A1-4	4.2	6	600	JJS/TJS6	UL class T	25
03A0-4	5.3	6	600	JJS/TJS6	UL class T	25
03A5-4	6.4	10	600	JJS/TJS10	UL class T	25
04A8-4	9.0	10	600	JJS/TJS10	UL class T	25
06A0-4	11.5	20	600	JJS/TJS20	UL class T	25
07A6-4	15.0	20	600	JJS/TJS20	UL class T	25
011A-4	20.2	25	600	JJS/TJS25	UL class T	30
014A-4	27.2	35	600	JJS/TJS35	UL class T	40
021A-4	40.0	40	600	JJS/TJS40	UL class T	40
027A-4	45.0	60	600	JJS/TJS60	UL class T	100

UL (NEC) type ACH480- 04-...	Drive input current	Fuses				
		Nominal current	Voltage rating	Bussmann/ Edison type	Type	Max. fuse rating for group install- ation ¹⁾
		A	V			A
034A-4	50.0	80	600	JJS/TJS80	UL class T	100
042A-4	60.0	100	600	JJS/TJS100	UL class T	100

1) Branch circuit short-circuit protection for group installation by fuses: Suitable for motor group installation on a circuit that is capable of delivering no more than 65000 rms symmetrical amperes, 480 V maximum, when protected by class T fuses.

The same fuse size is specified for several consecutive drive types. This is possible since the physical structure of the drive types is identical.

UL (NEC) fuse alternatives

UL (NEC) type ACH480-04-	Drive input current	Fuse		UL 248-15 Class T Fast Acting Fuses			
		Max. current	Voltage rating	Bussmann	Littelfuse	Mersen / Ferraz Shawmut	Edison
		A	V				
3-phase $U_N = 480$ V							
02A1-4	4.2	6	600	JJS-6	JLLS006	A6T6	TJS6
03A0-4	5.3	6	600	JJS-6	JLLS006	A6T6	TJS6
03A5-4	6.4	10	600	JJS-10	JLLS010	A6T10	TJS10
04A8-4	9.0	10	600	JJS-10	JLLS010	A6T10	TJS10
06A0-4	11.5	20	600	JJS-20	JLLS020	A6T20	TJS20
07A6-4	15.0	20	600	JJS-20	JLLS020	A6T20	TJS20
011A-4	20.2	25	600	JJS-25	JLLS025	A6T25	TJS25
014A-4	27.2	35	600	JJS-35	JLLS035	A6T35	TJS35
021A-4	40.0	40	600	JJS-40	JLLS040	A6T40	TJS40
027A-4	45.0	60	600	JJS-60	JLLS060	A6T60	TJS60
034A-4	50.0	80	600	JJS-80	JLLS080	A6T80	TJS80
042A-4	60.0	100	600	JJS-100	JLLS100	A6T100	TJS100

UL (NEC) type ACH480-04-	Drive input current	Fuse		UL 248-8 Fast Acting Class J Fuses			
		Max. current	Voltage rating	Bussmann	Littelfuse	Mersen / Ferraz Shawmut	Edison
		A	V				
3-phase $U_N = 480$ V							
02A1-4	4.2	6	600	JKS-6	JLS6	A4J6	JFL6
03A0-4	5.3	6	600	JKS-6	JLS6	A4J6	JFL6
03A5-4	6.4	10	600	JKS-10	JLS10	A4J10	JFL10
04A8-4	9.0	10	600	JKS-10	JLS10	A4J10	JFL10

UL (NEC) type ACH480-04-	Drive input current	Fuse		UL 248-8 Fast Acting Class J Fuses			
		Max. current	Voltage rating	Bussmann	Littelfuse	Mersen / Ferraz Shawmut	Edison
		A	V				
06A0-4	11.5	20	600	JKS-20	JLS20	A4J20	JFL20
07A6-4	15.0	20	600	JKS-20	JLS20	A4J20	JFL20
011A-4	20.2	25	600	JKS-25	JLS25	A4J25	JFL25
014A-4	27.2	35	600	JKS-35	JLS35	A4J35	JFL35
021A-4	40.0	40	600	JKS-40	JLS40	A4J40	JFL40
027A-4	45.0	60	600	JKS-60	JLS60	A4J60	JFL60
034A-4	50.0	80	600	JKS-80	JLS80	A4J80	JFL80
042A-4	60.0	100	600	JKS-100	JLS100	A4J100	JFL100

UL (NEC) type ACH480-04-	Drive input current	Fuse		UL 248-8 High Speed Class J Fuses			
		Max. current	Voltage rating	Bussmann	Littelfuse	Mersen / Ferraz Shawmut	Edison
		A	V				
3-phase $U_N = 480$ V							
02A1-4	4.2	6	600	DFJ-6	LDFJ006	HSJ6	JHL6
03A0-4	5.3	6	600	DFJ-6	LDFJ006	HSJ6	JHL6
03A5-4	6.4	10	600	DFJ-10	LDFJ010	HSJ10	JHL10
04A8-4	9.0	10	600	DFJ-10	LDFJ010	HSJ10	JHL10
06A0-4	11.5	20	600	DFJ-20	LDFJ020	HSJ20	JHL20
07A6-4	15.0	20	600	DFJ-20	LDFJ020	HSJ20	JHL20
011A-4	20.2	25	600	DFJ-25	LDFJ025	HSJ25	JHL25
014A-4	27.2	35	600	DFJ-35	LDFJ035	HSJ35	JHL35
021A-4	40.0	40	600	DFJ-40	LDFJ040	HSJ40	JHL40
027A-4	45.0	60	600	DFJ-60	LDFJ060	HSJ60	JHL60
034A-4	50.0	80	600	DFJ-80	LDFJ080	HSJ80	JHL80
042A-4	60.0	100	600	DFJ-100	LDFJ100	HSJ100	JHL100

UL (NEC) type ACH480-04-	Drive input current	Fuse		UL 248-4 Class CC Fast Acting Fuses			
		Max. current	Voltage rating	Bussmann	Littelfuse	Mersen / Ferraz Shawmut	Edison
		A	V				
3-phase $U_N = 480$ V							
02A1-4	4.2	6	600	KTK-R-6	KLKR6	ATMR6	HCLR6
03A0-4	5.3	6	600	KTK-R-6	KLKR6	ATMR6	HCLR6
03A5-4	6.4	10	600	KTK-R-10	KLKR10	ATMR10	HCLR10
04A8-4	9.0	10	600	KTK-R-10	KLKR10	ATMR10	HCLR10

UL (NEC) type ACH480-04-	Drive input current	Fuse		UL 248-4 Class CC Fast Acting Fuses			
		Max. current	Voltage rating	Bussmann	Littelfuse	Mersen / Ferraz Shawmut	Edison
		A	V				
06A0-4	11.5	20	600	KTK-R-20	KLKR20	ATMR20	HCLR20
07A6-4	15.0	20	600	KTK-R-20	KLKR20	ATMR20	HCLR20
011A-4	20.2	25	600	KTK-R-25	KLKR25	ATMR25	HCLR25

UL (NEC) type ACH480-04-	Drive input current	Fuse		UL 248-17 Class CF Fast Acting Cube Fuse			
		Max. current	Voltage rating	Bussmann			
		A	V				
3-phase $U_N = 480$ V							
02A1-4	4.2	6	600	FCF6RN			
03A0-4	5.3	6	600	FCF6RN			
03A5-4	6.4	10	600	FCF10RN			
04A8-4	9.0	10	600	FCF10RN			
06A0-4	11.5	20	600	FCF20RN			
07A6-4	15.0	20	600	FCF20RN			
011A-4	20.2	25	600	FCF25RN			
014A-4	27.2	35	600	FCF25RN			
021A-4	40.0	40	600	FCF40RN			
027A-4	45.0	60	600	FCF60RN			
034A-4	50.0	80	600	FCF80RN			
042A-4	60.0	100	600	FCF100RN			

Alternate short-circuit protection

■ Miniature circuit breakers (IEC)

Note: Miniature circuit breakers with or without fuses have not been evaluated for use as short circuit protection in North America (UL) environments.

The protective characteristics of the circuit breakers depend on the type, construction and settings of the breakers. There are also limitations pertaining to the short-circuit capacity of the supply network. Your local ABB representative can help you in selecting the breaker type when the supply network characteristics are known.



WARNING!

Due to the inherent operating principle and construction of circuit breakers, independent of the manufacturer, hot ionized gases can escape from the breaker enclosure in case of a short-circuit. To ensure safe use, pay special attention to

the installation and placement of the breakers. Obey the manufacturer's instructions.

You can use the circuit breakers specified by ABB. You can also use other circuit breakers with the drive if they provide the same electrical characteristics. ABB does not assume any liability whatsoever for the correct function and protection of the circuit breakers not specified by ABB. Furthermore, if the specifications given by ABB are not obeyed, the drive can experience problems the warranty does not cover.

IEC type ACH480- 04-...	Frame	ABB miniature circuit breaker	Network SC ¹⁾
		Type	kA
3-phase $U_N = 400$ V			
02A7-4	R1	S 203P-B 6	5
03A4-4	R1	S 203P-B 6	5
04A1-4	R1	S 203P-B 8	5
05A7-4	R1	S 203P-B 10	5
07A3-4	R1	S 203P-B 16	5
09A5-4	R1	S 203P-B 16	5
12A7-4	R2	S 203P-B 25	5
018A-4	R3	S 203P-B 32	5
026A-4	R3	S 203P-B 50	5
033A-4	R4	S 203P-B 63	5
039A-4	R4	S 803S-B 80	5
046A-4	R4	S 803-B 100	5
050A-4	R4	S 803-B 100	5

¹⁾ Maximum allowed rated conditional short-circuit current (IEC 61800-5-1) of the electrical power network.

■ Manual self-protected combination motor controller – Type E USA (UL (NEC))

You can use the ABB Type E manual motor protectors (MMP) MS132 & S1-M3-25, MS165-xx and MS5100-100 as an alternative to the recommended fuses as a means of branch circuit protection. This is in accordance with the National Electrical Code (NEC). When the correct ABB Type E manual motor protector is selected from the table and used for branch circuit protection, the drive is suitable for use in a circuit capable of delivering no more than 65 kA rms symmetrical amperes at the maximum rated voltage of the drive. See the table below for the appropriate MMP types and minimum enclosure volume of IP20 / UL open type drive mounted in an enclosure.

Note: The UL Listing of drive and MMP combinations applies only to drives that are mounted in appropriately sized metal enclosures that are capable of containing any drive component failure. Wall-mounted drives with UL Type 1 kits (optional) are not covered by the UL combination listing of drives with MMPs.

**WARNING!**

Use fuses for the short-circuit protection of a wall-mounted drive with the UL Type 1 kit (optional). Serious injury, fire, or damage to equipment can result from the use of MMPs instead of fuses.

UL (NEC) type ACH480-04-...	Frame	MMP type 1) 2) 3)	Minimum enclosure volume 4)	
			dm ³	in ³
3-phase $U_N = 480$ V				
02A1-4	R1	MS132-6.3 & S1-M3-25 5)	24.3	1482
03A0-4	R1	MS132-6.3 & S1-M3-25 5)	24.3	1482
03A5-4	R1	MS132-10 & S1-M3-25 5)	24.3	1482
04A8-4	R1	MS132-10 & S1-M3-25 5)	24.3	1482
06A0-4	R1	MS165-16	24.3	1482
07A6-4	R1	MS165-16	24.3	1482
011A-4	R2	MS165-20	24.3	1482
014A-4	R3	MS165-32	24.3	1482
021A-4	R3	MS165-42	24.3	1482
027A-4	R4	MS165-54	75.0	4577
034A-4	R4	MS165-65	75.0	4577
042A-4	R4	MS5100-100 / MS165-80	75.0	4577

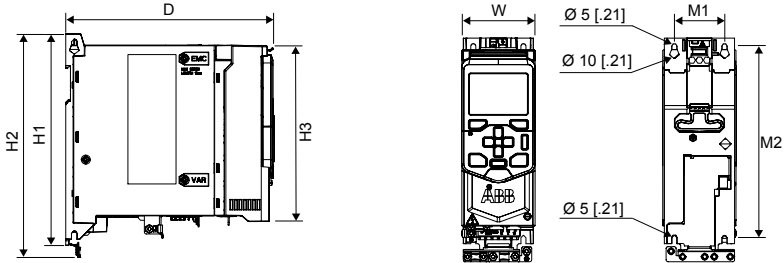
- 1) All manual motor protectors listed are Type E self-protected up to 65 kA, except MS165-80 which is Type E self-protected up to 50 kA. See the ABB manual motor starter catalog (1SBC100214C0201) for complete technical data on the ABB Type E manual motor protectors. In order for these manual motor protectors to be used for branch circuit protection, they must be UL listed Type E manual motor protectors, otherwise they can be used only as an At Motor Disconnect. "At Motor Disconnect" is a disconnect just ahead of the motor on the load side of the panel.
- 2) 480Y/277 V delta systems only: Short-circuit protective devices with slash voltage ratings (e.g. 480Y/277 V AC) can be applied only in solidly grounded networks where the voltage from line-to-ground does not exceed the lower of the two ratings (e.g. 277 V AC), and the voltage from line-to-line does not exceed the higher of the two ratings (e.g. 480 V AC). The lower rating represents the device's interrupting capability per pole.
- 3) Manual motor protectors may require adjusting the trip limit from the factory setting at or above the drive input Amps to avoid nuisance tripping. If the manual motor protector is set to the maximum current trip level and nuisance tripping is occurring, select the next size MMP. (MS132-10 is the highest size in the MS132 frame size to meet Type E at 65 kA; the next size up is MS165-16.)
- 4) For all drives, the enclosure must be sized to accommodate the specific thermal considerations of the application as well as provide free space for cooling. Refer to the technical data. For UL only: The minimum enclosure volume is specified in the UL listing when applied with the ABB Type E MMP shown in the table. Fuses must be used for wall-mounted drives installed with a UL Type 1 kit.
- 5) Requires the use of the S1-M3-25 line side feeder terminal with the manual motor protector to meet Type E self-protection class.

Dimensions and weights

Frame	Dimensions and weights (IP20 / UL open type)															
	H1		H2		H3		W		D		M1		M2		Weight	
	mm	in	mm	in	mm	in	mm	in	mm	in	mm	in	mm	in	kg	lb
R1	205	8.1	223	8.8	170	6.7	73	2.9	208	8.2	50	1.97	191	7.52	1.7	3.6
R2	205	8.1	223	8.8	170	6.7	97	3.9	208	8.2	75	2.95	191	7.52	2.2	4.9
R3	205	8.1	220	8.7	170	6.7	172	6.8	208	8.2	148	5.83	191	7.52	2.5	5.6
R4	205	8.1	240	9.5	170	6.7	262	10.3	213	8.2	234	9.21	191	7.52	5.6	12.4

Frame	Dimensions and weights (UL Type 1 kit installed)															
	H1		H2		H3		W		D		M1		M2		Weight ¹⁾	
	mm	in	mm	in	mm	in	mm	in	mm	in	mm	in	mm	in	kg	lb
R1	205	8.1	293	11.6	247	9.8	73	2.9	208	8.2	50	1.97	191	7.52	0.4	1.0
R2	205	8.1	293	11.6	247	9.8	111	4.4	208	8.2	75	2.95	191	7.52	0.5	1.1
R3	205	8.1	329	13.0	261	10.3	186	7.4	208	8.2	148	5.83	191	7.52	0.7	1.6
R4	205	8.1	391	15.4	312	12.3	284	11.2	213	8.4	234	9.21	191	7.52	1.3	2.7

1) Additional weight of the UL Type 1 kit.



- H1 Height back
- H2 Height
- H3 Height front
- W Width
- D Depth
- M1 Mounting hole distance
- M2 Mounting hole distance

Free space requirements

Frame	Free space requirement					
	Above ¹⁾		Below		Sides ²⁾	
	mm	in	mm	in	mm	in
All	75	3	75	3	0	0

1) Drives with the optional UL Type 1 kit: 50 mm (2 in), measured from the top of the hood.

2) A side-mounted option module requires 20 mm (0.8 in) of free space on the right side of the drive.

Losses, cooling data and noise

Drives with frame size R1...R4 have a cooling fan. The air flow direction is from bottom to top.

The tables show the heat dissipation in the main circuit at nominal load, and in the control circuit with minimum load (I/O and panel not in use) and maximum load (all digital inputs in the on state and the panel, fieldbus and fan in use). The total heat dissipation is the sum of the heat dissipation in the main and control circuits.

IEC type ACH480-04-	Heat dissipation				Air flow m ³ /h	Noise dB(A)
	Main circuit at rated current	Control circuit min. ¹⁾	Control circuit max. ²⁾	Main and control circuit max.		
	W	W	W	W		
3-phase $U_N = 400$ V						
02A7-4	35	9	20	55	57	63
03A4-4	42	9	20	62	57	63
04A1-4	50	9	20	70	57	63
05A7-4	68	9	20	88	57	63
07A3-4	88	9	20	108	57	63
09A5-4	115	9	20	135	57	63
12A7-4	158	9	20	178	63	59
018A-4	208	11	22	230	128	66
026A-4	322	11	22	344	128	66
033A-4	435	18	30	465	150	69
039A-4	537	18	30	566	150	69
046A-4	638	18	30	668	150	69
050A-4	638	18	30	668	150	69

1) Without I/O module or fieldbus adapter installed

2) With I/O module and fieldbus adapter installed

UL (NEC) type ACH480-04-	Heat dissipation								Air flow	Noise
	Main circuit at rated current		Control circuit min. ¹⁾		Control circuit max. ²⁾		Main and control circuit max.			
	W	BTU/h	W	BTU/h	W	BTU/h	W	BTU/h	CFM	dB(A)
3-phase $U_N = 480$ V										
02A1-4	35	121	9	29	20	69	55	189	33	63
03A0-4	42	145	9	29	20	69	62	213	33	63
03A5-4	50	172	9	29	20	69	70	240	33	63
04A8-4	68	233	9	29	20	69	88	302	33	63
06A0-4	88	299	9	29	20	69	108	368	33	63
07A6-4	115	392	9	29	20	69	135	461	33	63
011A-4	158	540	9	29	20	69	178	609	37	59
014A-4	208	709	11	36	22	75	230	784	75	66
021A-4	322	1098	11	36	22	75	344	1174	75	66
027A-4	435	1486	18	62	30	102	465	1587	88	69
034A-4	537	1832	18	62	30	102	566	1934	88	69
042A-4	638	2179	18	62	30	102	668	2281	88	69

1) Without I/O module or fieldbus adapter installed

2) With I/O module and fieldbus adapter installed

Typical power cable sizes

These are the typical power cable (and conductor) sizes at the nominal drive current.

IEC type ACH480- 04-...	Cable conductor sizes (mm ²) ¹⁾	Frame
3-phase $U_N = 400$ V		
02A7-4	3×1.5 + 1.5	R1
03A4-4	3×1.5 + 1.5	R1
04A1-4	3×1.5 + 1.5	R1
05A7-4	3×1.5 + 1.5	R1
07A3-4	3×1.5 + 1.5	R1
09A5-4	3×2.5 + 2.5	R1
12A7-4	3×2.5 + 2.5	R2
018A-4	3×6 + 6	R3
026A-4	3×6 + 6	R3
033A-4	3×10 + 10	R4
039A-4	3×16 + 16	R4
046A-4	3×25 + 16	R4

IEC type ACH480- 04-...	Cable conductor sizes (mm ²) ¹⁾	Frame
050A-4	3×25 + 16	R4

1) Size of typical power cable (symmetrical, shielded, three-phase copper cable). Note that for the input power connection, you may have to use two separate PE conductors (IEC 61800-5-1).

UL (NEC) type ACH480- 04-...	Wire size, Cu (AWG)	Frame
3-phase $U_N = 480$ V		
02A1-4	16	R1
03A0-4	16	R1
03A5-4	16	R1
04A8-4	16	R1
06A0-4	16	R1
07A6-4	14	R1
011A-4	14	R2
014A-4	10	R3
021A-4	10	R3
027A-4	8	R4
034A-4	6	R4
042A-4	4	R4

Terminal data for the power cables

IEC type ACH480- 04-...	L1, L2, L3, T1/U, T2/V, T3/W, R-, R+/ UDC+			PE		
	Minimum (solid/stran- ded)	Maximum (solid/stran- ded)	Tightening torque	Minimum (solid/stran- ded)	Maximum (solid/stran- ded)	Tightening torque
	mm ²	mm ²	N·m	mm ²	mm ²	N·m
3-phase $U_N = 400$ V						
02A7-4	0.5/0.5	4/2.5	0.5...0.6	4/2.5	6/4	1.2
03A4-4	0.5/0.5	4/2.5	0.5...0.6	4/2.5	6/4	1.2
04A1-4	0.5/0.5	4/2.5	0.5...0.6	4/2.5	6/4	1.2
05A7-4	0.5/0.5	4/2.5	0.5...0.6	4/2.5	6/4	1.2
07A3-4	0.5/0.5	4/2.5	0.5...0.6	4/2.5	6/4	1.2
09A5-4	0.5/0.5	4/2.5	0.5...0.6	4/2.5	6/4	1.2
12A7-4	0.5/0.5	4/2.5	0.5...0.6	4/2.5	6/4	1.2
018A-4	0.5/0.5	10/6	1.2...1.5	4/2.5	6/4	1.2

IEC type ACH480- 04-...	L1, L2, L3, T1/U, T2/V, T3/W, R-, R+/ UDC+			PE		
	Minimum (solid/stran- ded)	Maximum (solid/stran- ded)	Tightening torque	Minimum (solid/stran- ded)	Maximum (solid/stran- ded)	Tightening torque
	mm ²	mm ²	N·m	mm ²	mm ²	N·m
026A-4	0.5/0.5	10/6	1.2...1.5	4/2.5	6/4	1.2
033A-4	0.5/0.5	25/16	2.5...3.7	10/6	25/16	2.9
039A-4	0.5/0.5	25/16	2.5...3.7	10/6	25/16	2.9
046A-4	0.5/0.5	25/16	2.5...3.7	10/6	25/16	2.9
050A-4	0.5/0.5	25/16	2.5...3.7	10/6	25/16	2.9

UL (NEC) type ACH480- 04-...	L1, L2, L3, T1/U, T2/V, T3/W, R-, R+/ UDC+			PE		
	Minimum	Maximum	Tightening torque	Minimum	Maximum	Tightening torque
	AWG	AWG	lbf·in	AWG	AWG	lbf·in
3-phase $U_N = 480$ V						
02A1-4	18	10	5	12	10	10.6
03A0-4	18	10	5	12	10	10.6
03A5-4	18	10	5	12	10	10.6
04A8-4	18	10	5	12	10	10.6
06A0-4	18	10	5	12	10	10.6
07A6-4	18	10	5	12	10	10.6
011A-4	18	10	5	12	10	10.6
014A-4	18	6	11...13	12	10	10.6
021A-4	18	6	11...13	12	10	10.6
027A-4	18	2	22...32	8	4	25.7
034A-4	18	2	22...32	8	4	25.7
042A-4	18	2	22...32	8	4	25.7

Terminal data for the control cables

This table shows the control cable terminal data of the standard drive variant, that is, the base unit with RIIO-01 I/O & EIA-485 module.

Wire size		Torque	
mm ²	AWG	N·m	lbf·in
0.14...1.5	26...16	0.5...0.6	4.4...5.3

External EMC filters

The table shows the external EMC filters and which EMC categories are met with the filters. The drive with internal EMC filter meets the C2 category. It is in use as standard in all IEC drive types. See also [EMC compatibility and motor cable length](#) and [EMC compliance \(IEC/EN 61800-3:2004 + A1:2012\) \(page 149\)](#).

IEC type ACH480- 04-...	EMC filter type		Category		
	ABB type code	Schaffner order code	C1	C2	C3
3-phase $U_N = 400$ V					
02A7-4	RFI-32	FN 3268-16-44	x	x	x
03A4-4	RFI-32	FN 3268-16-44	x	x	x
04A1-4	RFI-32	FN 3268-16-44	x	x	x
05A7-4	RFI-32	FN 3268-16-44	x	x	x
07A3-4	RFI-32	FN 3268-16-44	x	x	x
09A5-4	RFI-32	FN 3268-16-44	x	x	x
12A7-4	RFI-33	FN 3268-30-33	x	x	x
018A-4	RFI-33	FN 3268-30-33	x	x	x
026A-4	RFI-33	FN 3268-30-33	x	x	x
033A-4	RFI-34	FN 3258-100-35	x	x	x
039A-4	RFI-34	FN 3258-100-35	x	x	x
046A-4	RFI-34	FN 3258-100-35	x	x	x
050A-4	RFI-34	FN 3258-100-35	x	x	x

UL (NEC) type ACH480- 04-...	EMC filter type		Category		
	ABB type code	Schaffner order code	C1	C2	C3
3-phase $U_N = 480$ V					
02A1-4	RFI-32	FN 3268-16-44	x	x	x
03A0-4	RFI-32	FN 3268-16-44	x	x	x
03A5-4	RFI-32	FN 3268-16-44	x	x	x
04A8-4	RFI-32	FN 3268-16-44	x	x	x
06A0-4	RFI-32	FN 3268-16-44	x	x	x
07A6-4	RFI-32	FN 3268-16-44	x	x	x
011A-4	RFI-33	FN 3268-30-33	x	x	x
014A-4	RFI-33	FN 3268-30-33	x	x	x
021A-4	RFI-33	FN 3268-30-33	x	x	x
027A-4	RFI-34	FN 3258-100-35	x	x	x
034A-4	RFI-34	FN 3258-100-35	x	x	x
042A-4	RFI-34	FN 3258-100-35	x	x	x

If you use an external EMC filter, you must disconnect the internal EMC filter. Refer to the electrical installation instructions.

Electrical power network specification

Voltage (U1)	Input voltage range: ACH480-04-xxxx-4 drives: 3-phase 380 ... 480 V AC -15% ... +10%.		
Network type	Public low voltage networks. Symmetrically grounded TN-S system, IT (ungrounded), corner-grounded delta. Consult ABB before connecting to other systems (for example, TT, or midpoint grounded delta).		
Rated conditional short-circuit current (IEC 61800-5-1)	65 kA when protected by fuses given in the fuse tables. Note: If the short-circuit current is more than specified in the table below, it is necessary to use a mains choke.		
Short-circuit current protection (UL 61800-5-1, CSA C22.2 No. 274-13)	US and Canada: The drive is suitable for use on a circuit capable of delivering not more than 100 kA symmetrical amperes (rms) at 480 V maximum when protected by fuses given in the fuse table. Note: If the short-circuit current is more than specified in the table below, it is necessary to use a mains choke.		
Mains choke	Use a mains choke if the short-circuit capacity of the network at the drive terminals is more than in the table:		
	Frame / Voltage rating	R1, R2	R3, R4
	3-phase 380 ... 480 V	>5.0 kA	>10 kA
	You can use one choke for several drives if the short-circuit capacity at the drive terminals is reduced to the value in the table.		
Frequency (f1)	47 ... 63 Hz, maximum rate of change 2%/s		
Imbalance	Max. ±3% of nominal phase to phase input voltage		
Fundamental power factor (cos phi)	0.98 (at nominal load)		

Motor connection data

Motor type	Asynchronous AC induction motors, permanent magnet synchronous motors or ABB synchronous reluctance motors (SynRM motors)
Voltage (U2)	0 ... U1, 3-phase symmetrical
Short-circuit protection (IEC 61800-5-1, UL 61800-5-1)	The motor output is short-circuit proof by IEC 61800-5-1 and UL 61800-5-1.
Frequency (f2)	0 ... 599 Hz
Frequency resolution	0.01 Hz
Current	See the rating information.
Switching frequency	2, 4, 8, or 12 kHz

■ Motor cable length

Operational functionality and motor cable length

The drive is designed to operate with optimum performance with the following maximum motor cable lengths. The values are valid for 4 kHz switching frequency.

Frame	Maximum motor cable length	
	m	ft
Standard drive, without external options		
R1, R2	150	492
R3, R4	150	492
With external output chokes		
R1...R3	250	820
R4	200	656

Note: In multimotor systems, the calculated sum of all motor cable lengths must not exceed the maximum motor cable length given in the table.

EMC compatibility and motor cable length

To comply with the EMC limits in the European EMC Directive (standard IEC/EN 61800-3), do not exceed these maximum motor cable lengths. They are valid for 4 kHz switching frequency.

Frame	Maximum motor cable length, 4 kHz					
	C1 ¹⁾		C2		C3	
	m	ft	m	ft	m	ft
With internal EMC filter						
3-phase 380 ... 480 V						
R1	-	-	10	33	30	100
R2	-	-	10	33	20	66
R3	-	-	10	33	30	100
R4	-	-	10	33	30	100
With optional external EMC filter						
3-phase 380 ... 480 V						
R1	30	100	50	164	50	164
R2	30	100	50	164	50	164
R3	30	100	50	164	50	164
R4	30	100	30	100	50	164

¹⁾ Category C1 with conducted emissions only. Radiated emissions are not compatible when measured with the standard emission measurement setup and must be measured on cabinet and machine installations for each case.

Brake resistor connection data

Short-circuit protection (IEC 61800-5-1, IEC 60439-1, UL 61800-5-1)	The brake resistor output is conditionally short-circuit proof by IEC/EN 61800-5-1 and UL 61800-5-1. Rated conditional short-circuit current is as defined in IEC 60439-1.
--	---

Control connection data

The data is valid for the standard drive variant (base unit equipped with the I/O & EIA-485 module (RIIO-01)).

Analog inputs (AI1, AI2)	Voltage signal, single-ended	0 ... 10 V DC (10% overrange, 11 V DC max.) $R_{in} = 221.6 \text{ kohm}$
	Current signal, single-ended	0 ... 20 mA (10% overrange, 22 mA max.) $R_{in} = 137 \text{ ohm}$
	Inaccuracy	$\leq 1.0\%$, of full scale
	Overvoltage protection	up to 30 V DC
	Potentiometer reference value	10 V DC $\pm 1\%$, max. load current 10 mA
Analog output (AO1, AO2)	Current output mode	0 ... 20 mA (10% overrange, 22 mA max.) into 500 ohm load (AO2 only supports output current)
	Voltage output mode	0 ... 10 V DC (10% overrange, 11 V DC max.) into 200 kohm minimum load (resistive)
	Inaccuracy	$\leq 2\%$, of full scale
Auxiliary power output or input (+24V, DGND)	As output	+24 V DC $\pm 10\%$, max. 250 mA (from base unit and/or RIIO-01 module)
	As input (optional BAPO-01 module required)	+24 V DC $\pm 10\%$, max. 1000 mA (incl. internal fan load)
Digital inputs (DI1...DI6)	Voltage	12 ... 24 V DC (int. or ext. supply) max. 30 V DC.
	Type	PNP and NPN
	Input impedance	$R_{in} = 2 \text{ kohm}$
DI5 (digital or frequency input)	Voltage	12 ... 24 V DC (int. or ext. supply) max. 30 V DC.
	Type	PNP and NPN
	Input impedance	$R_{in} = 2 \text{ kohm}$
	Max. frequency	10 ... 16 kHz
Relay output (RO1, RO2, RO3)	Type	1 form C (NO + NC)
	Max. switching voltage	250 V AC / 30 V DC
	Max. switching current	2 A (non inductive)
STO interface	Refer to <i>The Safe torque off function (page 181)</i>	

EIA-485 embedded fieldbus (A+, B-, DGND)	Connector pitch 5 mm, wire size 2.5 mm ² (14 AWG) Physical layer: RS-485 Cable type: Shielded twisted pair cable with twisted pair for data and a wire or pair for signal ground, nominal impedance 100 ... 165 ohm, for example Belden 9842 Transmission rate: 9.6 ... 115.2 kbit/s Termination by switch
---	---

Efficiency

Approximately 98% at nominal power level.

Protection classes

Degree of protection (IEC/EN 60529)	IP20. The drive must be installed in a cabinet to fulfill the requirements for shielding from contact.
Enclosure types (UL 61800-5-1)	UL open type. For indoor use only. UL Type 1 kit is available as an option.
Overvoltage category (IEC 60664-1)	III
Protective classes (IEC/EN 61800-5-1)	I

Ambient conditions

Environmental limits for the drive are given below. The drive must be used in a heated indoor controlled environment.

Requirement	Operation installed for stationary use	Storage in the protective package	Transportation in the protective package
Installation site altitude	400/480 V drives: 0 ... 4000 m (0 ... 13123 ft) above sea level (with output derating above 1000 m [3281 ft]) See Output derating (page 125) .	-	-
Surrounding air temperature	-10 ... +60 °C (14 ... 140 °F). If the temperature is more than 50 °C (122 °F), output derating is necessary. See Output derating (page 125) . No frost permitted.	-40 ... +70 °C ±2% (-40 ... +158 °F ±2%)	-40 ... +70 °C ±2% (-40 ... +158 °F ±2%)

Requirement	Operation installed for stationary use	Storage in the protective package	Transportation in the protective package
Relative humidity	5 ... 95%	Max. 95%	Max. 95%
	No condensation permitted. Maximum permitted relative humidity is 60% in the presence of corrosive gases.		
Contamination levels (IEC 60721-3-x)	IEC 60721-3-3: 2002	IEC 60721-3-1: 1997	IEC 60721-3-2: 1997
- Chemical gases	Class 3C2	Class 1C2	Class 2C2
- Solid particles	Class 3S2. No conductive dust permitted.	Class 1S3. (packing must support this, otherwise 1S2)	Class 2S2
Pollution degree (IEC/EN 61800-5-1)	Pollution degree 2	-	-
Sinusoidal vibration (IEC 60068-2-6, Test Fc 2007-12)	frequency 10 ... 150 Hz; amplitude ± 0.075 mm (0.003 in), 10 ... 57,56 Hz; constant peak acceleration 10 m/s ² (33 ft/s ²), 57,56 ... 150 Hz; sweep: 1 oct/min; 10 sweep cycles in each axis with STO active; uncertainty $\pm 5.0\%$; normal mounting	-	-
Shock /(IEC 60068-2-27, ISTA 1A)	Not permitted	According to ISTA 1A. Max. 100 m/s ² (330 ft/s ²), 11 ms.	According to ISTA 1A. Max. 100 m/s ² (330 ft/s ²), 11 ms.
Free fall	-	76 cm (30 in)	76 cm (30 in)

Materials

Drive enclosure	Hot-dip zinc coated steel sheet 1.5 mm (0.06 in). Extruded aluminum AISi. PC/ABS 2 mm (0.08 in), PC+10%GF 2.5 ... 3 mm (0.10 ... 0.12 in) and PA66+25%GF 1.5 mm (0.06 in), all in color NCS 1502-Y (RAL 9002 / PMS 420 C)
Package	Corrugated cardboard

Disposal

The main parts of the drive can be recycled to preserve natural resources and energy. Product parts and materials should be dismantled and separated.

Generally all metals, such as steel, aluminum, copper and its alloys, and precious metals can be recycled as material. Plastics, rubber, cardboard and other packaging material

can be used in energy recovery. Printed circuit boards and large electrolytic capacitors need selective treatment according to IEC 62635 guidelines. To aid recycling, plastic parts are marked with an appropriate identification code.

Contact your local ABB distributor for further information on environmental aspects and recycling instructions for professional recyclers. End of life treatment must follow international and local regulations.



Applicable standards








The drive complies with the following standards:

EN ISO 13849-1:2015	Safety of machinery – Safety related parts of the control systems – Part 1: general principles for design
EN ISO 13849-2:2012	Safety of machinery – Safety-related parts of the control systems – Part 2: Validation
EN 60204-1:2006 + A1:2009 + AC:2010	Safety of machinery. Electrical equipment of machines. Part 1: General requirements. Provisions for compliance: The final assembler of the machine is responsible for installing <ul style="list-style-type: none"> • an emergency-stop device • a supply disconnecting device
EN 62061:2005 + AC:2010 + A1:2013 + A2:2015	Safety of machinery – Functional safety of safety-related electrical, electronic and programmable electronic control systems
EN 61800-3:2004 + A1:2012 IEC 61800-3:2004 + A1:2011	Adjustable speed electrical power drive systems. Part 3: EMC requirements and specific test methods
IEC/EN 61800-5-1:2007	Adjustable speed electrical power drive systems – Part 5-1: Safety requirements – Electrical, thermal and energy
ANSI/UL 61800-5-1:2015	UL Standard for adjustable speed electrical power drive systems – Part 5-1: Safety requirements – Electrical, thermal and energy
CSA C22.2 No. 274-13	Adjustable speed drives

Markings

The applicable markings are shown on the type designation label of the drive.

	<p>CE mark Product complies with the applicable European Union legislation. For fulfilling the EMC requirements, see the additional information concerning the drive EMC compliance (IEC/EN 61800-3).</p>
	<p>TÜV Safety Approved mark (functional safety) Product contains Safe Torque Off and possibly other (optional) safety functions which are certified by TÜV according to the relevant functional safety standards. Applicable to drives and inverters; not applicable to supply, brake or DC/DC converter units or modules.</p>

	<p>UL Listed mark for USA and Canada Product has been tested and evaluated against the relevant North American standards by the Underwriters Laboratories. Valid with rated voltages up to 600 V.</p>
	<p>RCM mark Product complies with Australian and New Zealand requirements specific to EMC, telecommunications and electrical safety. For fulfilling the EMC requirements, see the additional information concerning the drive EMC compliance (IEC/EN 61800-3).</p>
	<p>EAC (Eurasian Conformity) mark Product complies with the technical regulations of the Eurasian Customs Union. EAC mark is required in Russia, Belarus and Kazakhstan.</p>
	<p>Electronic Information Products (EIP) green mark The product complies with the <i>People's Republic of China Electronic Industry Standard</i> (SJ/T 11364-2014). The product does not contain toxic and hazardous substances or elements above the maximum concentration values, and it is an environmentally-friendly product which can be recycled.</p>
	<p>WEEE mark At the end of life the product should enter the recycling system at an appropriate collection point and not placed in the normal waste stream.</p>
	<p>KC mark Product complies with Korea's product safety requirements for electrical and electronic equipment and components that utilize power from 50...1000 V AC.</p>
	<p>BTL (BACnet Testing Laboratories) mark Product has BACnet conformance certificate.</p>

EMC compliance (IEC/EN 61800-3:2004 + A1:2012)

■ Definitions

EMC stands for Electromagnetic Compatibility. It is the ability of electrical/electronic equipment to operate without problems within an electromagnetic environment. Likewise, the equipment must not disturb or interfere with any other product or system within its locality.

First environment includes establishments connected to a low-voltage network which supplies buildings used for domestic purposes.

Second environment includes establishments connected to a network not supplying domestic premises.

Drive of category C1: drive of rated voltage less than 1000 V and intended for use in the first environment.

Drive of category C2: drive of rated voltage less than 1000 V and intended to be installed and started up only by a professional when used in the first environment. **Note:** A professional is a person or organization having necessary skills in installing and/or starting up power drive systems, including their EMC aspects.

Drive of category C3: drive of rated voltage less than 1000 V and intended for use in the second environment and not intended for use in the first environment.

Drive of category C4: drive of rated voltage equal to or above 1000 V, or rated current equal to or above 400 A, or intended for use in complex systems in the second environment.

■ Category C1

The drive complies with the conducted emission limits of the standard with the following provisions:

1. The optional EMC filter is selected according to section [External EMC filters \(page 142\)](#), and the filter is installed as specified in the EMC filter manual.
2. The motor and control cables are selected as specified in this manual. The EMC recommendations are obeyed.
3. The maximum motor cable length does not exceed the specified maximum value. See [EMC compatibility and motor cable length \(page 144\)](#).
4. The drive is installed according to the instructions (IEC) given in this manual.

This product can cause radio-frequency interference. In a residential or domestic environment, supplementary mitigation measures may be required in addition to the requirements listed above for the CE compliance.

■ Category C2

This is applicable to drives with an internal EMC C2 filter. The filter is included to all drive types as standard. However, for the UL(NEC) drive types it is not connected at the factory. The user must re-connect it for the category C2 compliance.

The drive complies with the standard with the following provisions:

1. The motor and control cables are selected as specified in this manual. The EMC recommendations are obeyed.
2. The maximum motor cable length does not exceed the specified maximum. See [EMC compatibility and motor cable length \(page 144\)](#).
3. The drive is installed according to the instructions (IEC) given in this manual.

This product can cause radio-frequency interference. In a residential or domestic environment, supplementary mitigation measures may be required in addition to the requirements listed above for the CE compliance.



WARNING!

Do not install a drive with the internal EMC filter connected to an earthing system that the EMC filter is not suitable for (for example, an IT system). The supply network becomes connected to ground potential through the internal EMC filter capacitors, which can cause danger or damage to the drive.



WARNING!

To prevent radio-frequency interference, do not use a category C2 drive on a low-voltage public network that supplies domestic premises.

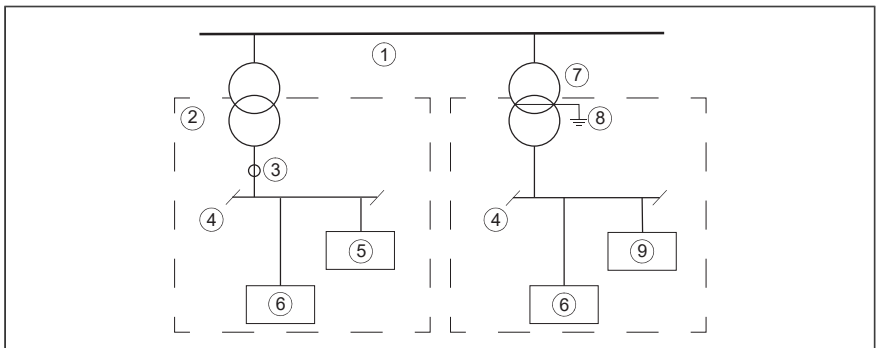
■ **Category C3**

The drive has an internal EMC C2 filter as standard. No EMC C3 filter for category C3 is available.

■ **Category C4**

If the provisions in category 2 or 3 are not met, the requirements of the standard can be met as follows:

1. It is ensured that no excessive emission is propagated to neighboring low-voltage networks. In some cases, the inherent suppression in transformers and cables is sufficient. If in doubt, the supply transformer with static screening between the primary and secondary windings can be used.



1	Medium voltage network
2	Neighboring network
3	Point of measurement
4	Low voltage
5	Equipment (victim)
6	Equipment
7	Supply transformer
8	Static screen

2. An EMC plan for preventing disturbances is drawn up for the installation. A template is available in *Technical guide No. 3 EMC compliant installation and configuration for a power drive system* (3AFE61348280 (English)).
3. The motor and control cables are selected as specified in this manual. For the best EMC performance, the EMC recommendations are obeyed.
4. The drive is installed according to the instructions given in this manual.

**WARNING!**

Do not install a drive with the internal EMC filter connected to an earthing system that the EMC filter is not suitable for (for example, an IT system). The supply network becomes connected to ground potential through the internal EMC filter capacitors, which can cause danger or damage to the drive.

**WARNING!**

To prevent radio-frequency interference, do not use a category C4 drive on a low-voltage public network that supplies domestic premises.

UL checklist

**WARNING!**

Operation of this drive requires detailed installation and operation instructions provided in the hardware and software manuals. The manuals are provided in electronic format in the drive package or on the Internet. Keep the manuals with the drive at all times. Hard copies of the manuals can be ordered through the manufacturer.

- Make sure that the drive type designation label includes the applicable marking.
 - **DANGER - Risk of electric shock.** After disconnecting the input power, always wait for 5 minutes to let the intermediate circuit capacitors discharge before you start working on the drive, motor or motor cable.
 - The drive is to be used in a heated, indoor controlled environment. The drive must be installed in clean air according to the enclosure classification. Cooling air must be clean, free from corrosive materials and electrically conductive dust.
 - The maximum surrounding air temperature is 50 °C (122 °F) at rated output current. The output current is derated for 50 ... 60 °C (122 ... 140 °F) in drives with frame size R1...R4.
 - The drive is suitable for use in a circuit capable of delivering not more than 100000 rms symmetrical amperes, 480 V maximum (480 V drive types) when protected by the UL fuses given elsewhere in this chapter. The ampere rating is based on tests done according to the appropriate UL standard.
-

- The drive is suitable for use on a circuit capable of delivering not more than 65000 rms symmetrical amperes, 480Y/277 V maximum (480 V drive types), when protected by a Type E combination motor controller specified by ABB.
- The cables located within the motor circuit must be rated for at least 75 °C (167 °F) in UL-compliant installations.
- The input cable must be protected with UL-rated fuses, or the ABB Type E manual motor protectors (MMP) listed in this manual. The fuses or the manual motor protectors provide branch circuit protection in accordance with the National Electrical Code (NEC) and Canadian Electrical Code. Obey also any other applicable local or provincial codes.

Note: Circuit breakers must not be used without fuses in the USA. For suitable circuit breakers, contact your local ABB representative.



WARNING!

The opening of the branch-circuit protective device may be an indication that a fault current has been interrupted. To reduce the risk of fire or electric shock, current-carrying parts and other components of the device should be examined and replaced if damaged.

- The integral solid state short circuit protection of the drive does not provide branch circuit protection.
- The drive provides motor overload protection. For adjustments, see the firmware manual.
- The drive overvoltage category according to IEC 60664-1 is III.

Disclaimers

■ Generic disclaimer

The manufacturer shall have no obligation with respect to any product which (i) has been improperly repaired or altered; (ii) has been subjected to misuse, negligence or accident; (iii) has been used in a manner contrary to the manufacturer's instructions; or (iv) has failed as a result of ordinary wear and tear.

■ **Cybersecurity disclaimer**

This product is designed to be connected to and to communicate information and data via a network interface. It is Customer's sole responsibility to provide and continuously ensure a secure connection between the product and Customer network or any other network (as the case may be). Customer shall establish and maintain any appropriate measures (such as but not limited to the installation of firewalls, application of authentication measures, encryption of data, installation of anti-virus programs, etc) to protect the product, the network, its system and the interface against any kind of security breaches, unauthorized access, interference, intrusion, leakage and/or theft of data or information. ABB and its affiliates are not liable for damages and/or losses related to such security breaches, any unauthorized access, interference, intrusion, leakage and/or theft of data or information.

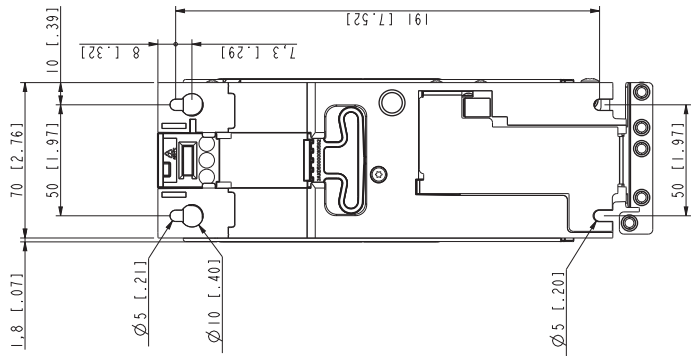
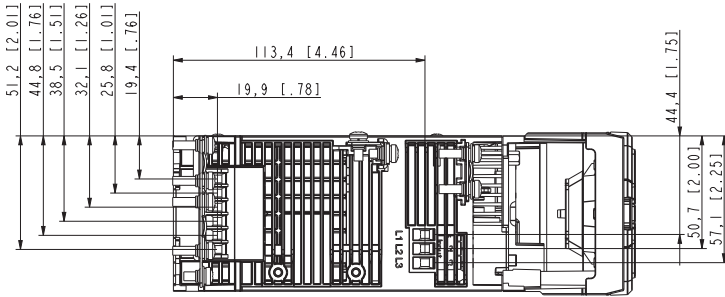
11

Dimension drawings

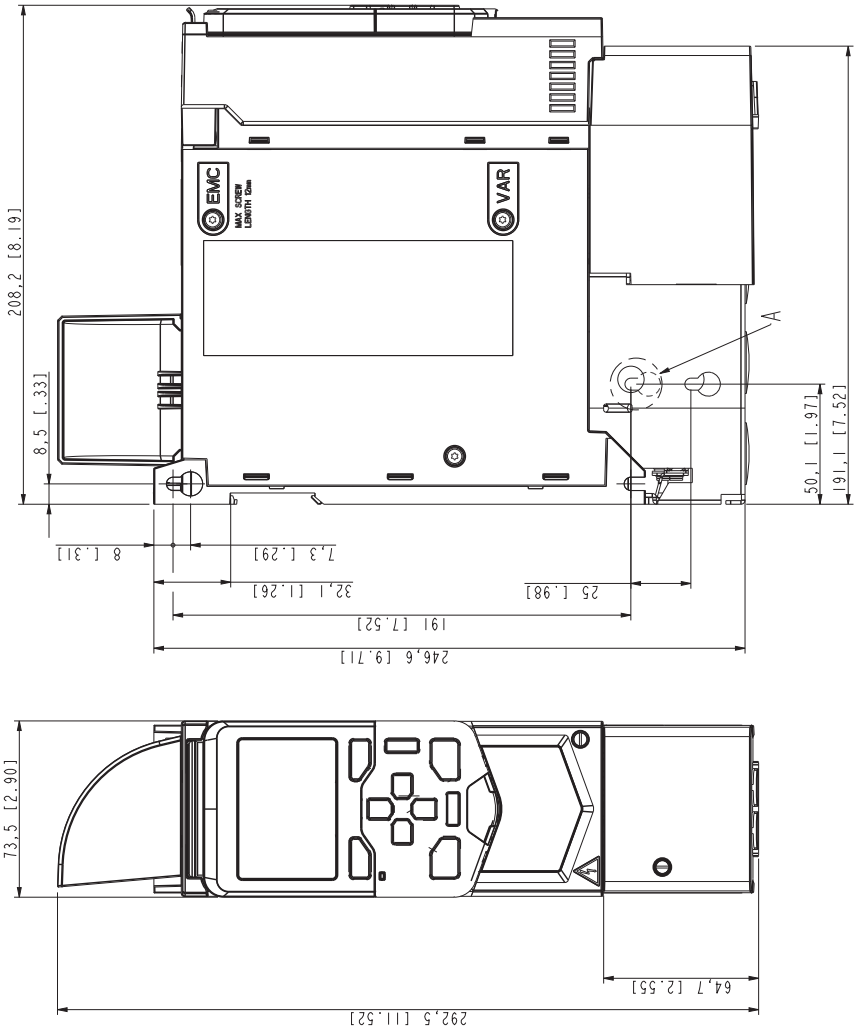
Contents of this chapter

The chapter contains the dimension drawings of the drive. The dimensions are in millimeters and inches.

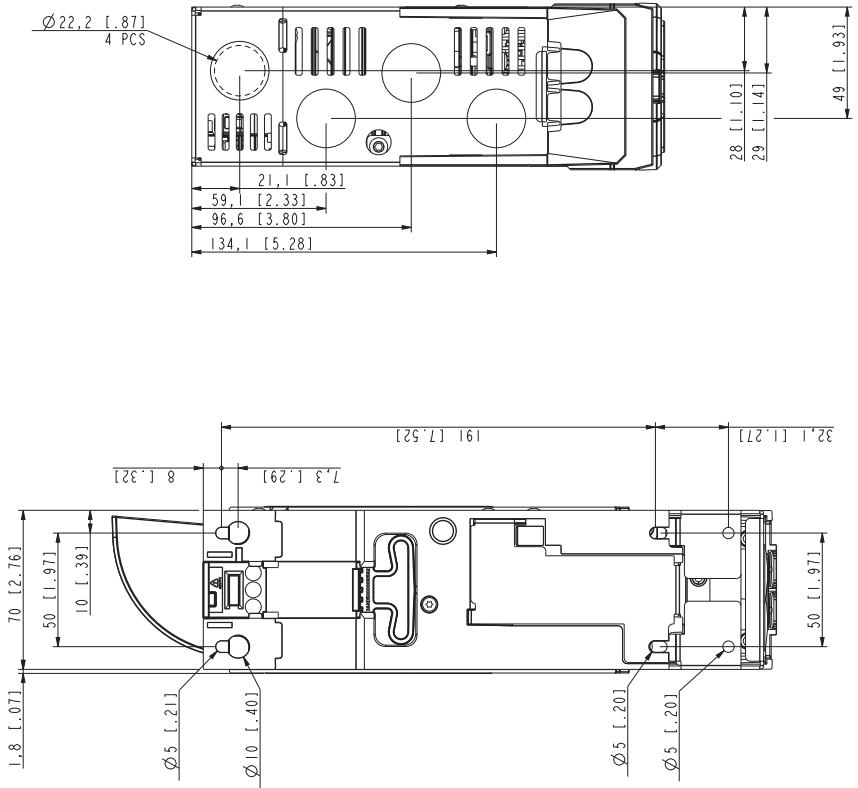
■ Frame R1 (bottom & rear) - IP20 / UL open type



■ Frame R1 (front & side) - UL Type 1 kit installed

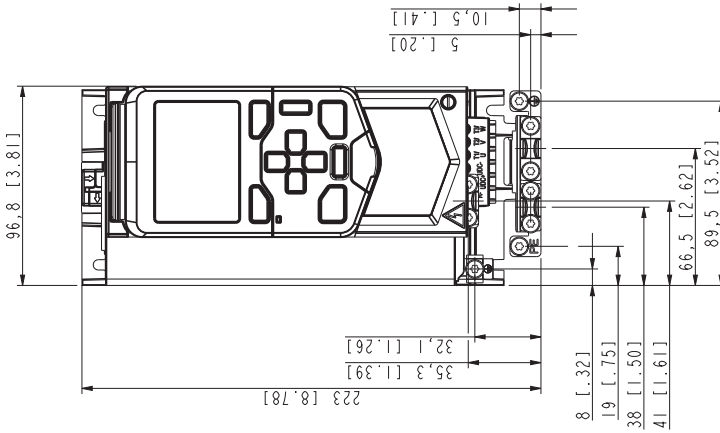
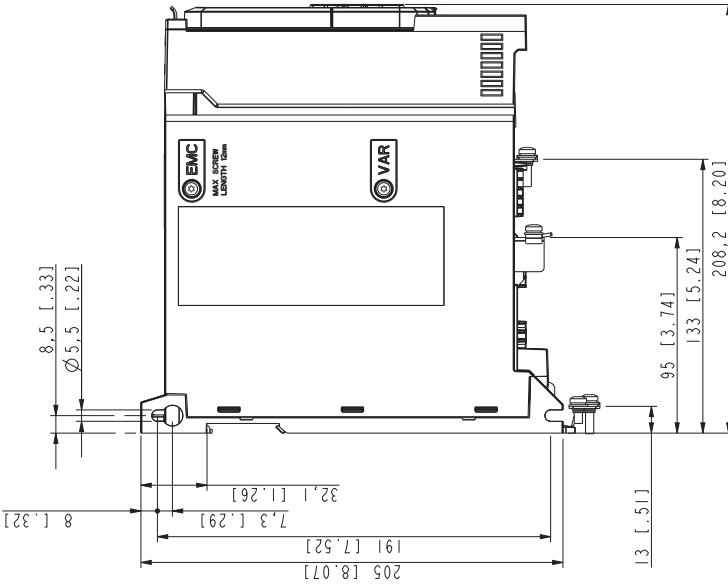


■ Frame R1 (bottom & rear) - UL Type 1 kit installed

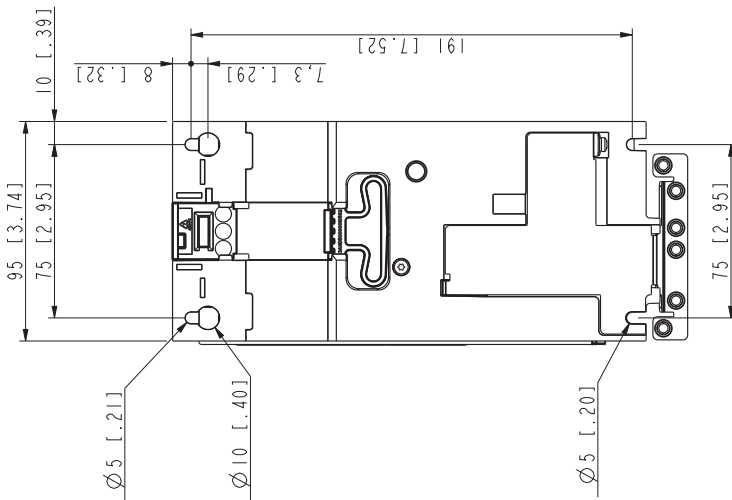
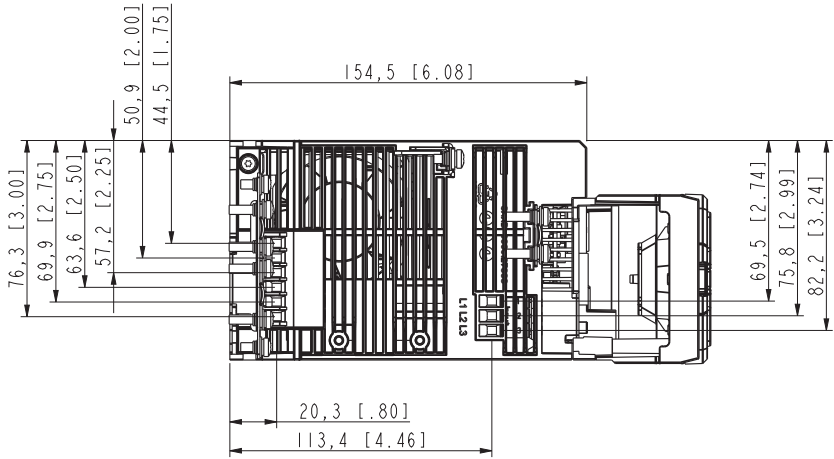


Frame R2

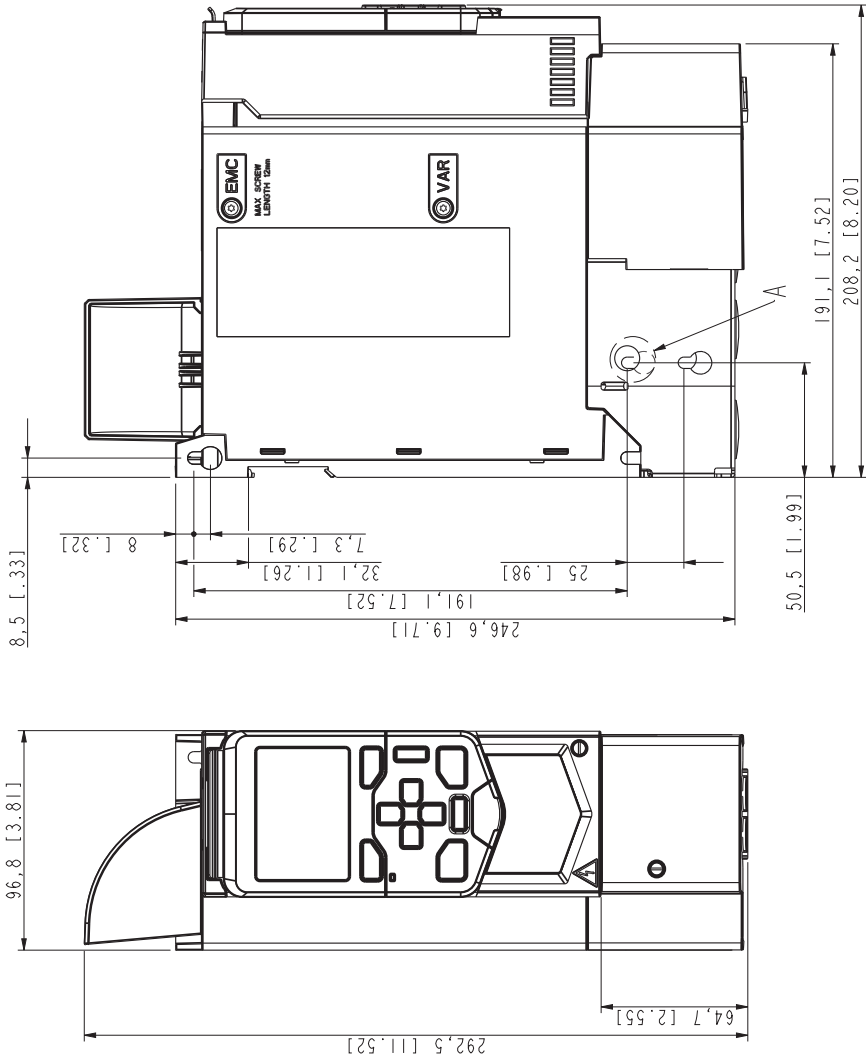
- Frame R2 (front & side) - IP20 / UL open type



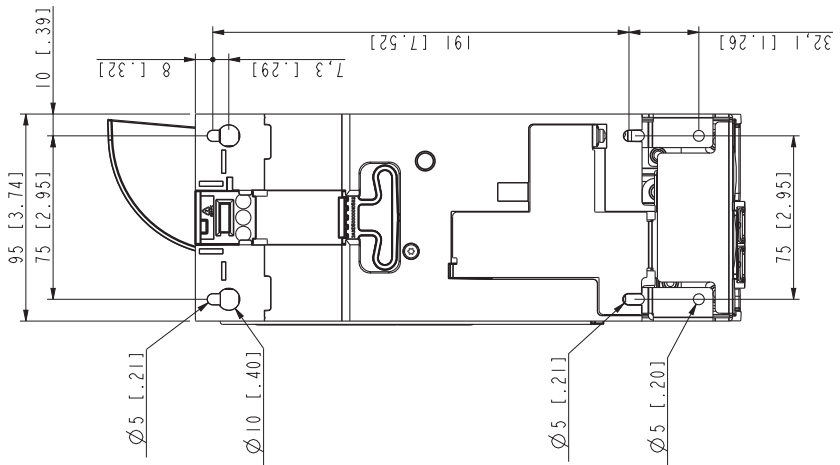
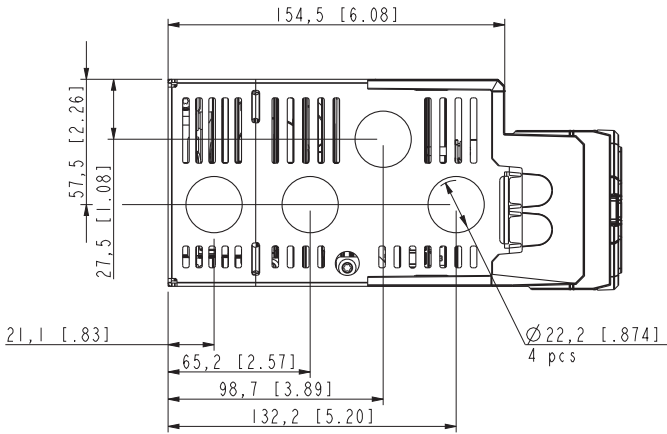
■ Frame R2 (bottom & rear) - IP20 / UL open type



■ Frame R2 (front & side) - UL Type 1 kit installed

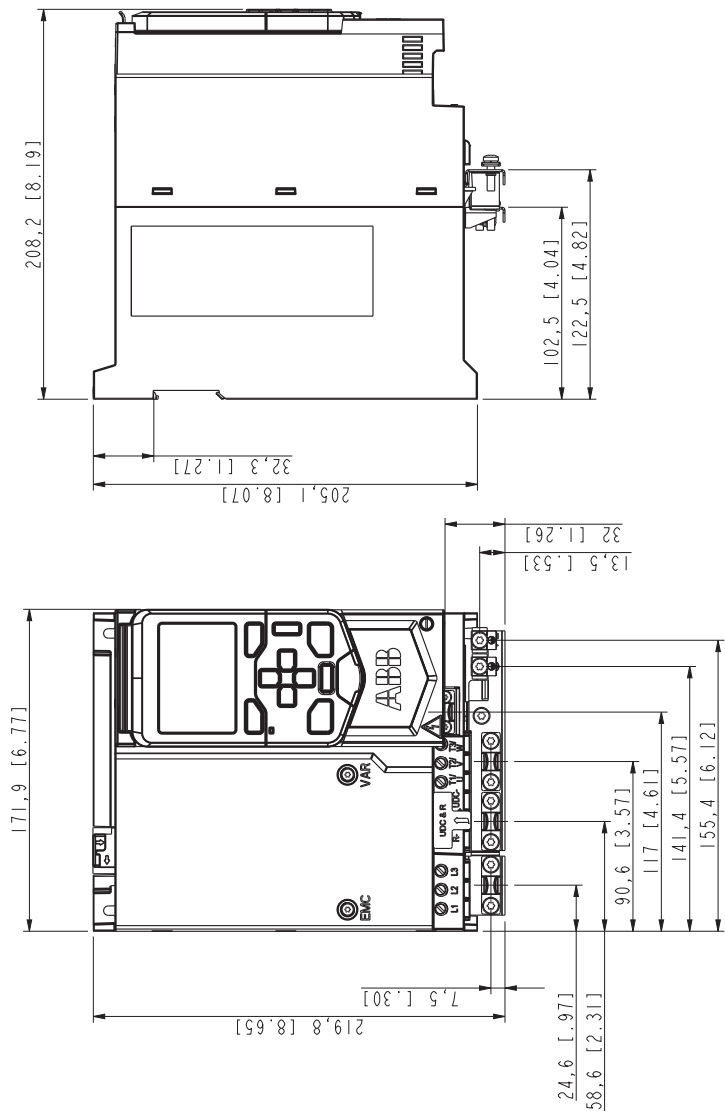


■ Frame R2 (bottom & rear) - UL Type 1 kit installed

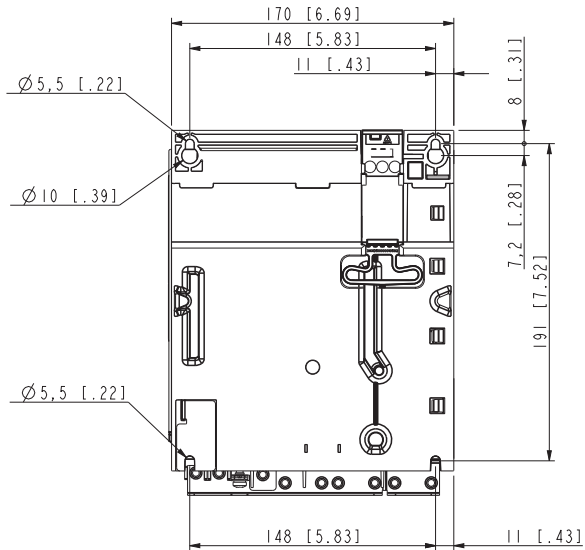
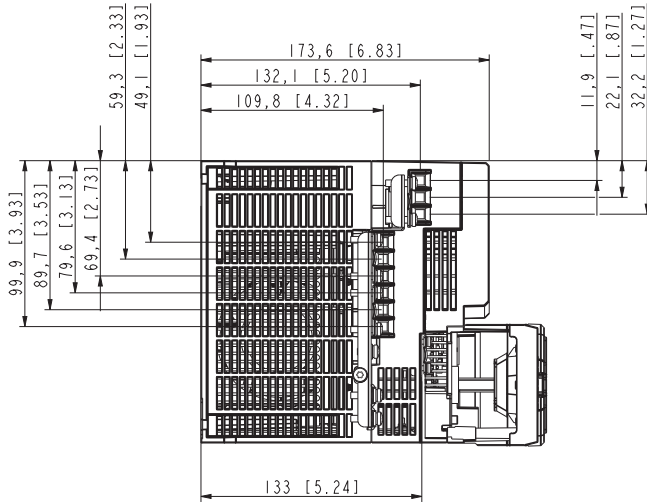


Frame R3

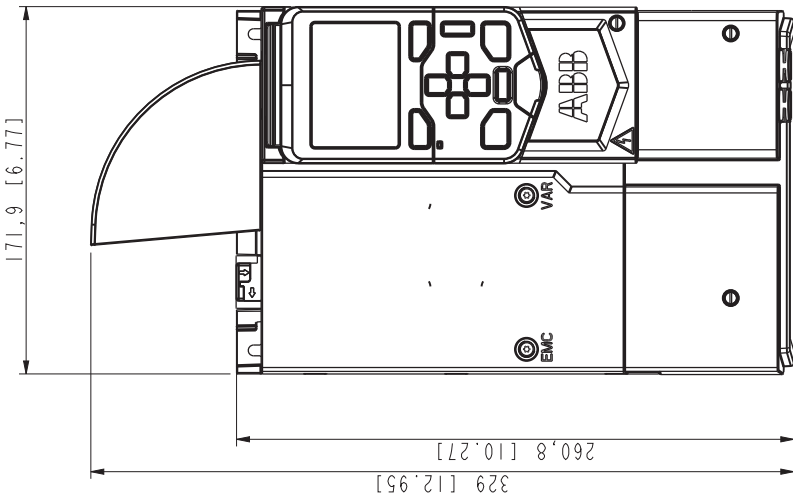
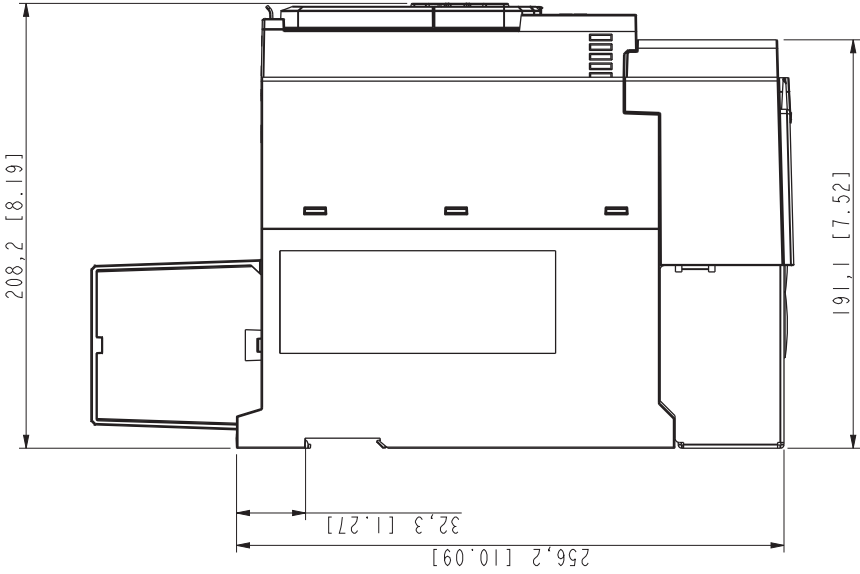
- Frame R3 (front & side) - IP20 / UL open type



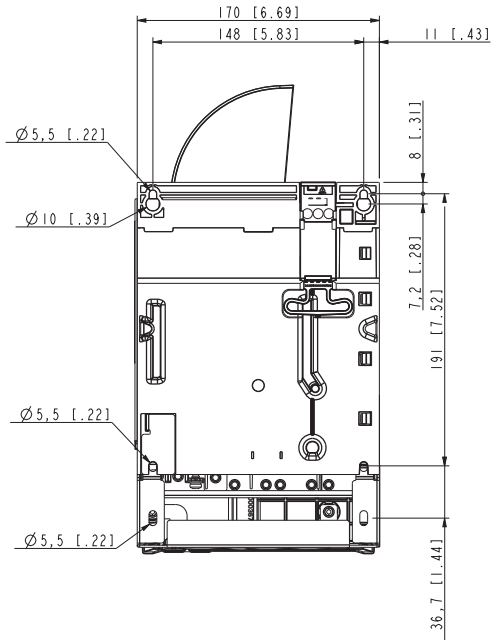
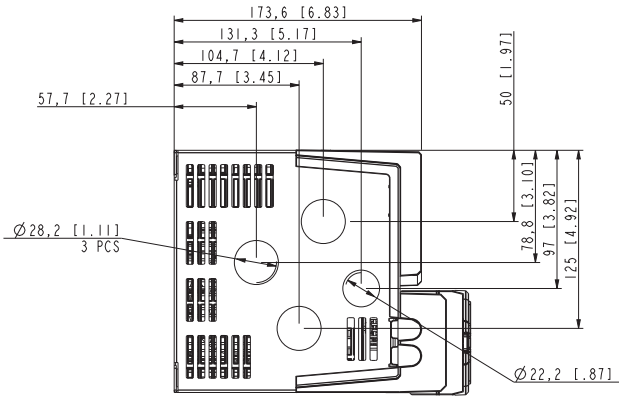
■ Frame R3 (bottom & rear) - IP20 / UL open type



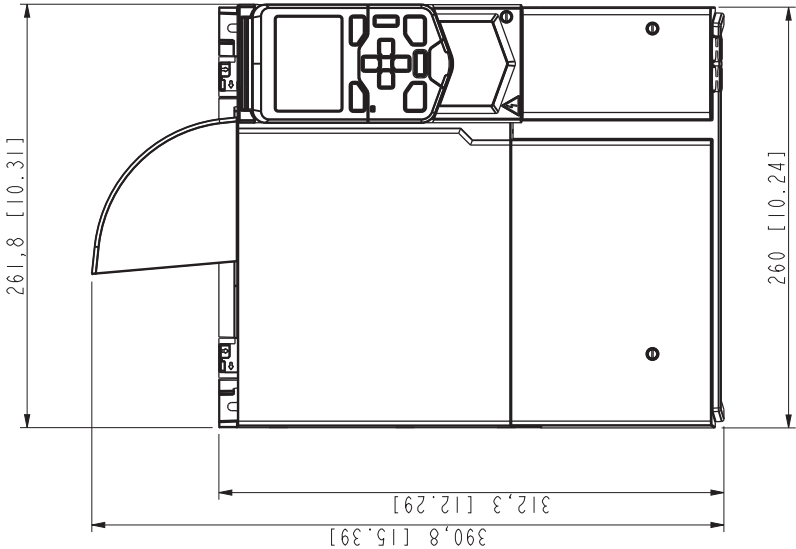
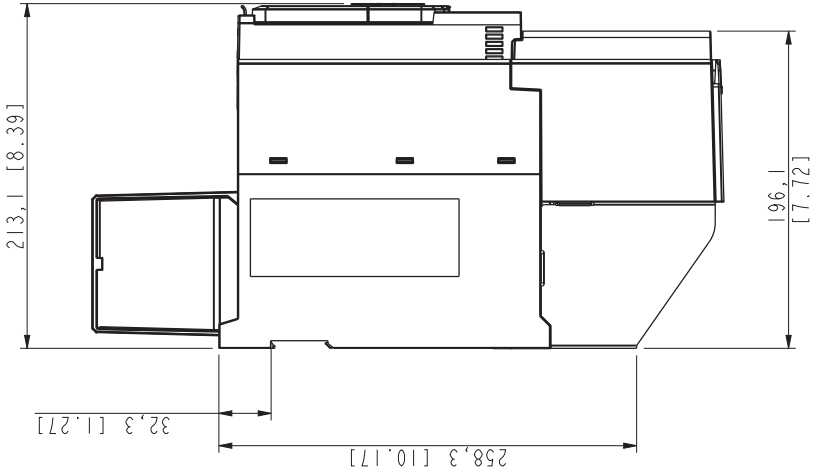
■ Frame R3 (front & side) - UL Type 1 kit installed



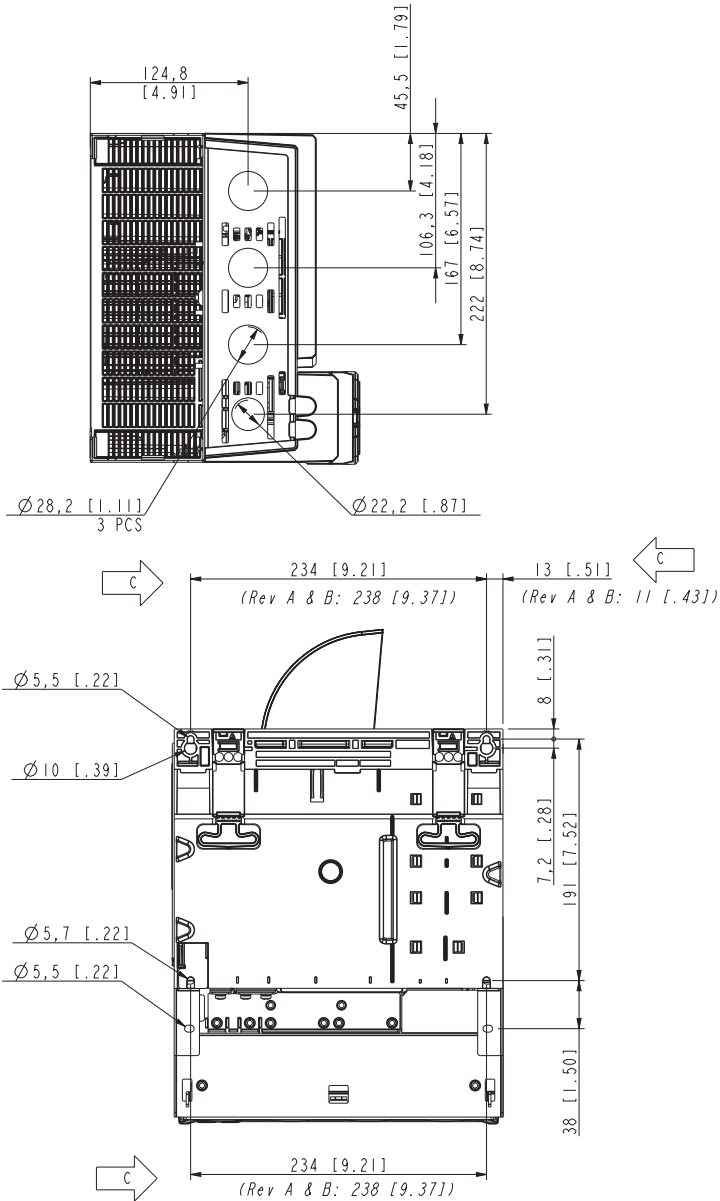
■ Frame R3 (bottom & rear) - UL Type 1 kit installed



■ Frame R4 (front & side) - UL Type 1 kit installed



■ Frame R4 (bottom & rear) - UL Type 1 kit installed



12

Resistor braking

Contents of this chapter

The chapter describes how to select the brake resistor and cables, protect the system, connect the brake resistor and enable resistor braking.

Safety



WARNING!

Do not do work on the brake resistor or the resistor cable when the drive is energized. A dangerous voltage is present in the resistor circuit, even when the brake chopper is not operating, or when it is disabled by a parameter.

Operation principle

The brake chopper handles the energy generated by a decelerating motor. The extra energy increases the DC link voltage. The chopper connects the brake resistor to the intermediate DC circuit whenever the voltage in the circuit exceeds the limit defined by the control program. Energy consumption by the resistor losses lowers the voltage until the resistor can be disconnected.

Selecting the brake resistor

Drives have a built-in brake chopper as standard equipment. The brake resistor is selected using the table and equations shown in this section.

1. Determine the required maximum braking power P_{Rmax} for the application. P_{Rmax} must be smaller than P_{BRmax} . Refer to [Reference brake resistors \(page 175\)](#).
 2. Calculate resistance R with Equation 1.
 3. Calculate energy E_{Rpulse} with Equation 2.
-

4. Select the resistor so that the following conditions are met:

- The rated power of the resistor must be greater than or equal to P_{Rmax} .
- Resistance R must be between R_{min} and R_{max} given in the table for the used drive type.
- The resistor must be able to dissipate energy E_{Rpulse} during the braking cycle T .

Equations for selecting the resistor:

Equation 1

When the drive supply voltage is 200 ... 240 V:

$$R = \frac{150\,000}{P_{Rmax}}$$

When the drive supply voltage is 380 ... 415 V:

$$R = \frac{450\,000}{P_{Rmax}}$$

When the drive supply voltage is 415 ... 480 V:

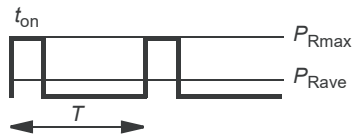
$$R = \frac{615\,000}{P_{Rmax}}$$

Equation 2

$$E_{Rpulse} = P_{Rmax} \cdot t_{on}$$

Equation 3

$$P_{Rave} = P_{Rmax} \cdot \frac{t_{on}}{T}$$



For conversion, use 1 hp = 746 W.

R	Calculated brake resistor value (ohm). Make sure that: $R_{min} < R < R_{max}$
P_{Rmax}	Maximum power during the braking cycle (W)
P_{Rave}	Average power during the braking cycle (W)
E_{Rpulse}	Energy conducted into the resistor during a single braking pulse (J)
t_{on}	Braking time (one cycle) (s)
T	Braking cycle time (s)



WARNING!

Do not use a brake resistor with a resistance below the minimum value specified for the particular drive. The drive and the internal chopper are not able to handle the overcurrent caused by the low resistance.

■ Reference brake resistors

IEC type ACH480- 04-...	R_{min}	R_{max}	P_{BRcont}		P_{BRmax}		Example resistor types ¹⁾
	ohm	ohm	kW	hp	kW	hp	Danotherm
3-phase $U_N = 400$ V							
02A7-4	99	628	0.55	0.75	0.83	1.10	CBH 360 C T 406 210R or CAR 200 D T 406 210R
03A4-4	99	428	0.75	1.00	1.13	1.50	
04A1-4	99	285	1.10	1.50	1.65	2.20	
05A7-4	99	206	1.50	2.00	2.25	3.00	CBR-V 330 D T 406 78R UL
07A3-4	53	139	2.20	2.00	3.30	4.40	
09A5-4	53	102	3.00	3.00	4.50	6.00	
12A7-4	32	76	4.00	5.00	6.00	8.00	CBR-V 560 D HT 406 39R UL
018A-4	32	54	5.50	7.50	8.25	11.00	
026A-4	23	39	7.50	10.00	11.25	15.00	CBT-H 560 D HT 406 19R
033A-4	6	29	11.00	15.00	17	22.00	
039A-4	6	24	15.00	20.00	23	30.00	
046A-4	6	20	18.50	25.00	28	37.00	CBT-H 760 D HT 406 16R
050A-4	6	20	22.00	30.00	33	44.00	

¹⁾ Braking cycle differs from that of the drive. Refer to brake resistor manufacturer's documentation.

UL (NEC) type ACH480- 04-...	R_{min}	R_{max}	P_{BRcont}		P_{BRmax}		Example resistor types ¹⁾
	ohm	ohm	kW	hp	kW	hp	Danotherm
3-phase $U_N = 480$ V							
02A1-4	99	628	0.55	0.75	0.83	1.10	CBH 360 C T 406 210R or CAR 200 D T 406 210R
03A0-4	99	428	0.75	1.00	1.13	1.50	
03A5-4	99	285	1.10	1.50	1.65	2.20	
04A8-4	99	206	1.50	2.00	2.25	3.00	CBR-V 330 D T 406 78R UL
06A0-4	53	139	2.20	2.00	3.30	4.40	
07A6-4	53	102	3.00	3.00	4.50	6.00	
011A-4	32	76	4.00	5.00	6.00	8.00	CBR-V 560 D HT 406 39R UL
014A-4	32	54	5.50	7.50	8.25	11.00	
021A-4	23	39	7.50	10.00	11.25	15.00	CBT-H 560 D HT 406 19R
027A-4	6	29	11.00	15.00	17	22.00	
034A-4	6	24	15.00	20.00	23	30.00	
042A-4	6	20	22.00	30.00	33	44.00	CBT-H 760 D HT 406 16R

¹⁾ Braking cycle differs from that of the drive. Refer to brake resistor manufacturer's documentation.

Definitions

P_{BRmax}	The maximum braking capacity of the drive, when the length of the braking pulse is at most 1 minute for each 10 minutes ($P_{BRcont} \times 1.5$). Must be more than the desired braking power.
P_{BRcont}	The continuous braking capacity of the drive
R_{max}	The maximum resistance value of the brake resistor that can provide P_{BRcont}
R_{min}	The minimum permitted resistance value of the brake resistor

Selecting and routing the brake resistor cables

Use a shielded cable specified in the technical data.

■ Minimizing electromagnetic interference

Obey these rules in order to minimize electromagnetic interference caused by the rapid current changes in the resistor cables:

- Shield the braking power line completely, either by using shielded cable or a metallic enclosure. Unshielded single-core cable can only be used if it is routed inside a cabinet that efficiently suppresses the radiated emissions.
- Install the cables away from other cable routes.
- Avoid long parallel runs with other cables. The minimum parallel cabling separation distance is 0.3 meters (1 ft).
- Cross the other cables at 90 degree angles.
- Keep the cable as short as possible in order to minimize the radiated emissions and stress on chopper IGBTs. The longer the cable the greater the radiated emissions, inductive load and voltage peaks over the IGBT semiconductors of the brake chopper.

Note: ABB has not verified that the EMC requirements are fulfilled with custom brake resistors and cabling. The customer must consider the EMC compliance of the complete installation.

■ Maximum cable length

The maximum length of the resistor cable(s) is 10 m (33 ft).

Placing the brake resistors

Install the resistors outside the drive in a place where they are able to cool effectively.

Arrange the cooling of the resistor in a way that

- no danger of overheating is caused to the resistor or nearby materials, and
 - the temperature of the room the resistor is located in does not exceed the allowed maximum.
-

Supply the resistor with cooling air or coolant according to the resistor manufacturer's instructions.



WARNING!

The materials near the brake resistor must be non-flammable. The surface temperature of the resistor is high. Air flowing from the resistor is of hundreds of degrees Celsius. If the exhaust vents are connected to a ventilation system, make sure that the material withstands high temperatures. Protect the resistor against contact.

Protecting the system in brake circuit fault situations

■ Protecting the system in cable and brake resistor short-circuit situations

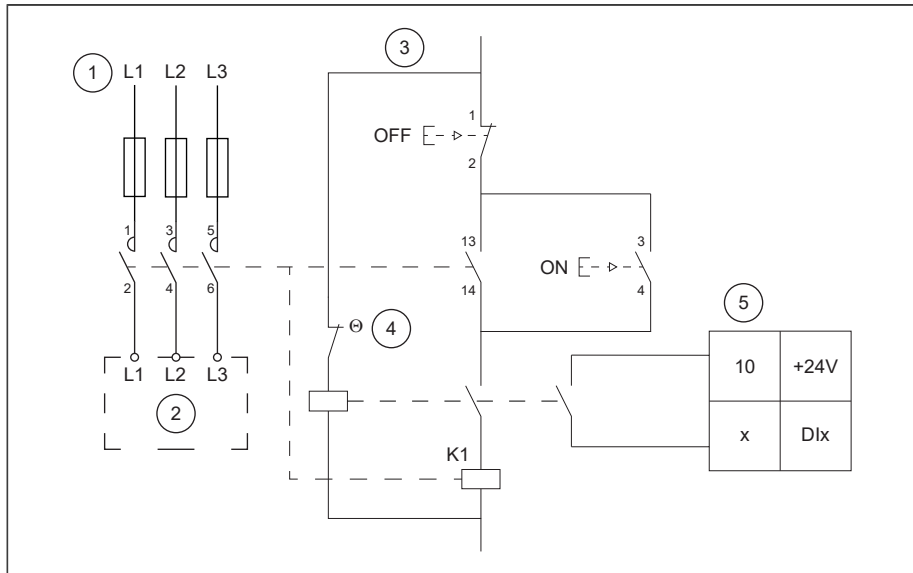
The drive input fuses will also protect the resistor cable when it is identical with the input power cable.

■ Protecting the system against thermal overload

The drive has a brake thermal model which protects the brake resistor against overload. ABB recommends to enable the thermal model at start up.

Equipping the drive with a main contactor is highly recommended for safety reasons even when you have enabled the resistor thermal model. Wire the contactor so that it opens in case the resistor overheats. This is essential for safety since the drive will not otherwise be able to interrupt the main supply if the chopper remains conductive in a fault situation. An example wiring diagram is shown below. ABB recommends that you use resistors equipped with a thermal switch (1) inside the resistor assembly. The switch indicates overtemperature.

ABB recommends that you also wire the thermal switch to a digital input of the drive, and configure the input to cause a fault trip at resistor overtemperature indication.



1	Drive input power connection with a main contactor
2	Drive
3	Main contactor control circuit
4	Brake resistor thermal switch
5	Digital input. Monitors the brake resistor thermal switch.

Mechanical and electrical installation of brake resistor

WARNING! Obey the safety instructions of the drive. If you ignore them, injury or death, or damage to the equipment can occur.

If you are not a qualified electrical professional, do not do installation or maintenance work.

WARNING! Stop the drive and do the steps in section [Electrical safety precautions \(page 17\)](#) before you start the work.

■ Mechanical installation

Refer to the resistor manufacturer's instructions.

■ Electrical installation

Measuring the insulation

See the electrical installation instructions of the drive.

Connecting power cables

See the electrical installation instructions of the drive.

Connection the control cables

Connect the thermal switch of the brake resistor as described in [Protecting the system against thermal overload \(page 177\)](#).

Start-up

Set the following parameters:

1. Disable the overvoltage control of the drive with parameter *30.30 Overvoltage control*.
2. Set the source of parameter *31.01 External event 1 source* to point to the digital input where the thermal switch of the brake resistor is wired.
3. Set parameter *31.02 External event 1 type* to *Fault*.
4. Enable the brake chopper by parameter *43.06 Brake chopper enable*. If *Enabled with thermal model* is selected, set also the brake resistor overload protection parameters *43.08* and *43.09* according to the application.
5. Check the resistance value of parameter *43.10 Brake resistance*.

With these parameter settings, the drive generates a fault and coasts to a stop on brake resistor overtemperature.



13

The Safe torque off function

Contents of this chapter

This chapter describes the Safe torque off (STO) function of the drive and gives instructions for its use.

Description

The Safe torque off function can be used, for example, as the final actuator device of safety circuits that stop the drive in case of danger (such as an emergency stop circuit). Another typical application is a prevention of unexpected start-up function that enables short-time maintenance operations like cleaning or work on non-electrical parts of the machinery without switching off the power supply to the drive.

When activated, the Safe torque off function disables the control voltage of the power semiconductors of the drive output stage (A, see the diagrams below), thus preventing the drive from generating the torque required to rotate the motor. If the motor is running when Safe torque off is activated, it coasts to a stop.

The Safe torque off function has a redundant architecture, that is, both channels must be used in the safety function implementation. The safety data given in this manual is calculated for redundant use, and does not apply if both channels are not used.

The Safe torque off function complies with these standards:

Standard	Name
IEC 60204-1:2016 EN 60204-1:2006 + A1:2009 + AC:2010	<i>Safety of machinery – Electrical equipment of machines – Part 1: General requirements</i>

Standard	Name
IEC 61000-6-7:2014	<i>Electromagnetic compatibility (EMC) – Part 6-7: Generic standards – Immunity requirements for equipment intended to perform functions in a safety-related system (functional safety) in industrial locations</i>
IEC 61326-3-1:2017	<i>Electrical equipment for measurement, control and laboratory use – EMC requirements – Part 3-1: Immunity requirements for safety-related systems and for equipment intended to perform safety-related functions (functional safety) – General industrial applications</i>
IEC 61508-1:2010	<i>Functional safety of electrical/electronic/programmable electronic safety-related systems – Part 1: General requirements</i>
IEC 61508-2:2010	<i>Functional safety of electrical/electronic/programmable electronic safety-related systems – Part 2: Requirements for electrical/electronic/programmable electronic safety-related systems</i>
IEC 61511-1:2016	<i>Functional safety – Safety instrumented systems for the process industry sector</i>
IEC 61800-5-2:2016 EN 61800-5-2:2007	<i>Adjustable speed electrical power drive systems – Part 5-2: Safety requirements – Functional</i>
IEC 62061:2005 + A1:2012 + A2:2015 EN 62061:2005 + AC:2010 + A1:2013 + A2:2015	<i>Safety of machinery – Functional safety of safety-related electrical, electronic and programmable electronic control systems</i>
EN ISO 13849-1:2015	<i>Safety of machinery – Safety-related parts of control systems – Part 1: General principles for design</i>
EN ISO 13849-2:2012	<i>Safety of machinery – Safety-related parts of control systems – Part 2: Validation</i>

The function also corresponds to Prevention of unexpected start-up as specified by EN ISO 14118:2018 (ISO 14118:2017), and Uncontrolled stop (stop category 0) as specified in EN/IEC 60204-1.

■ **Compliance with the European Machinery Directive**

See the technical data.

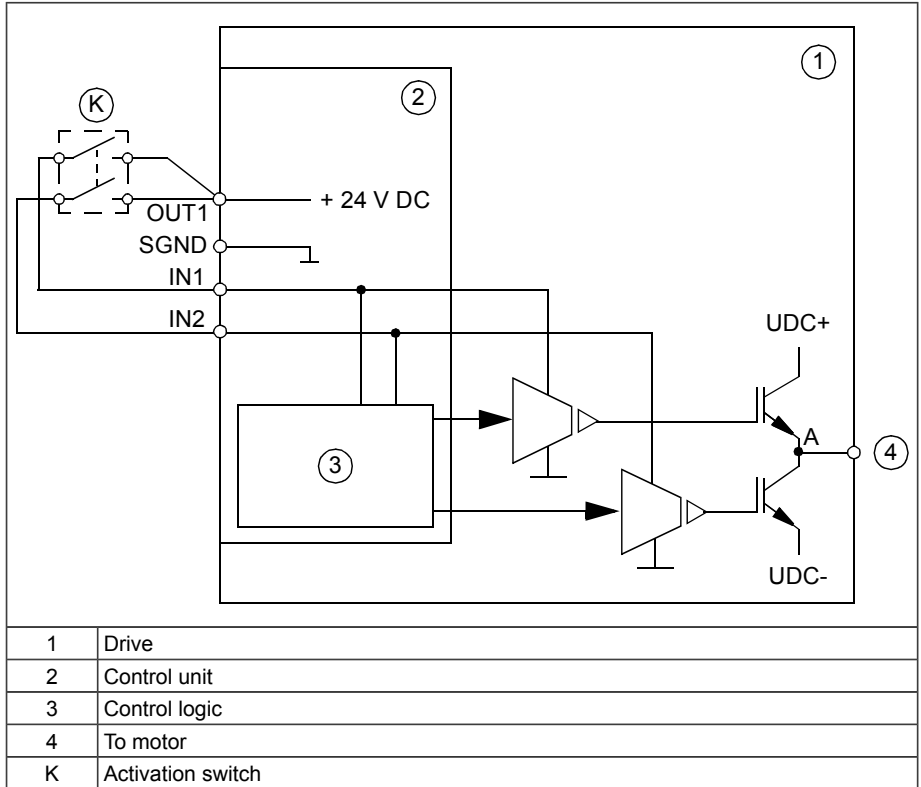
The Declaration of conformity is shown at the end of this chapter.

Wiring

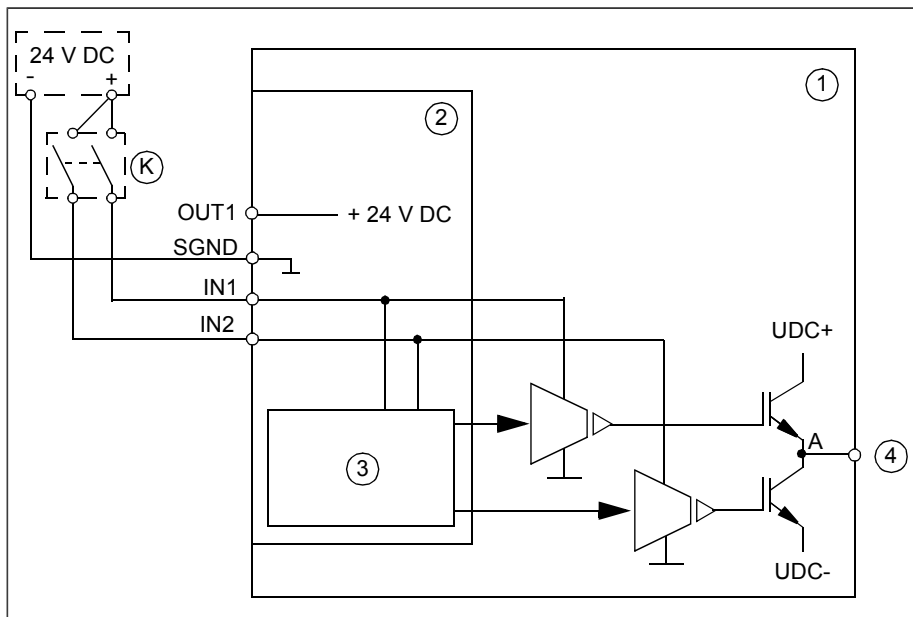
For the electrical specifications of the STO connection, see the technical data of the control unit.

■ Connection principle

Single ACH480 drive, internal power supply



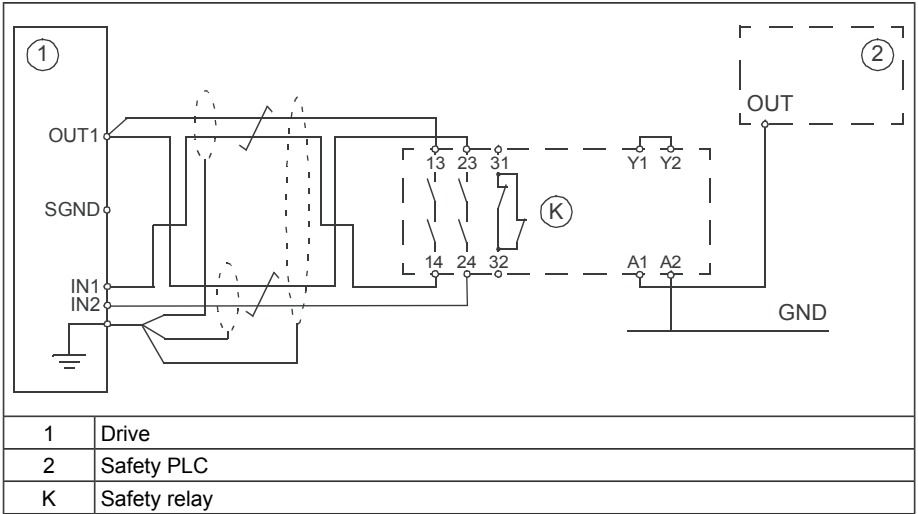
Single ACH480 drive, external power supply



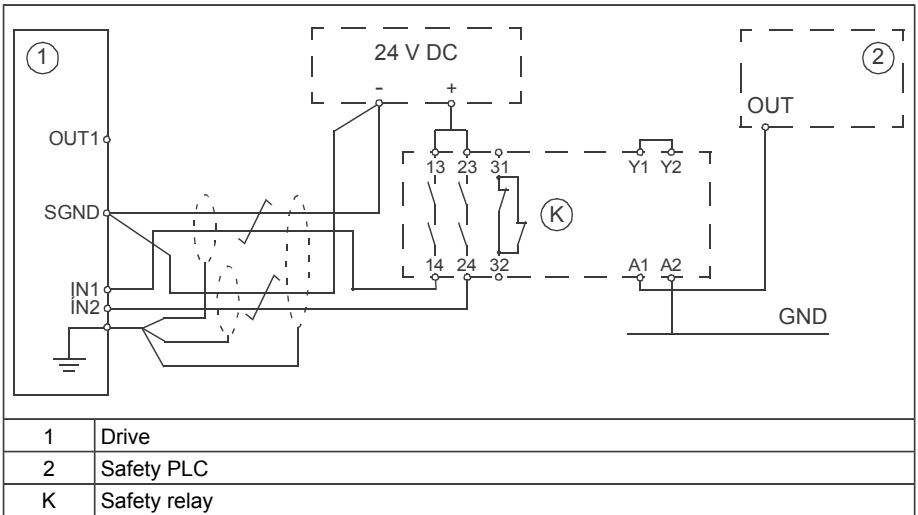
1	Drive
2	Control unit
3	Control logic
4	To motor
K	Activation switch

■ Wiring examples

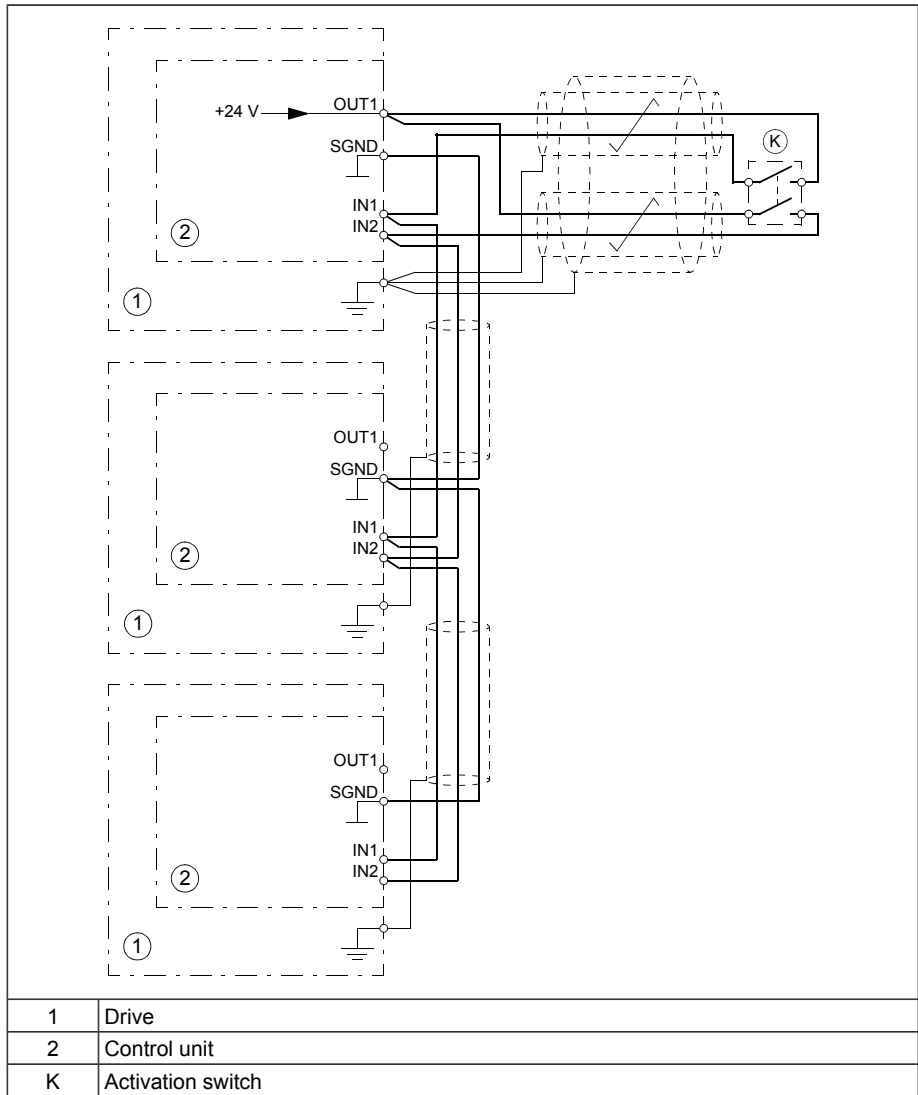
Single ACH480 drive, internal power supply



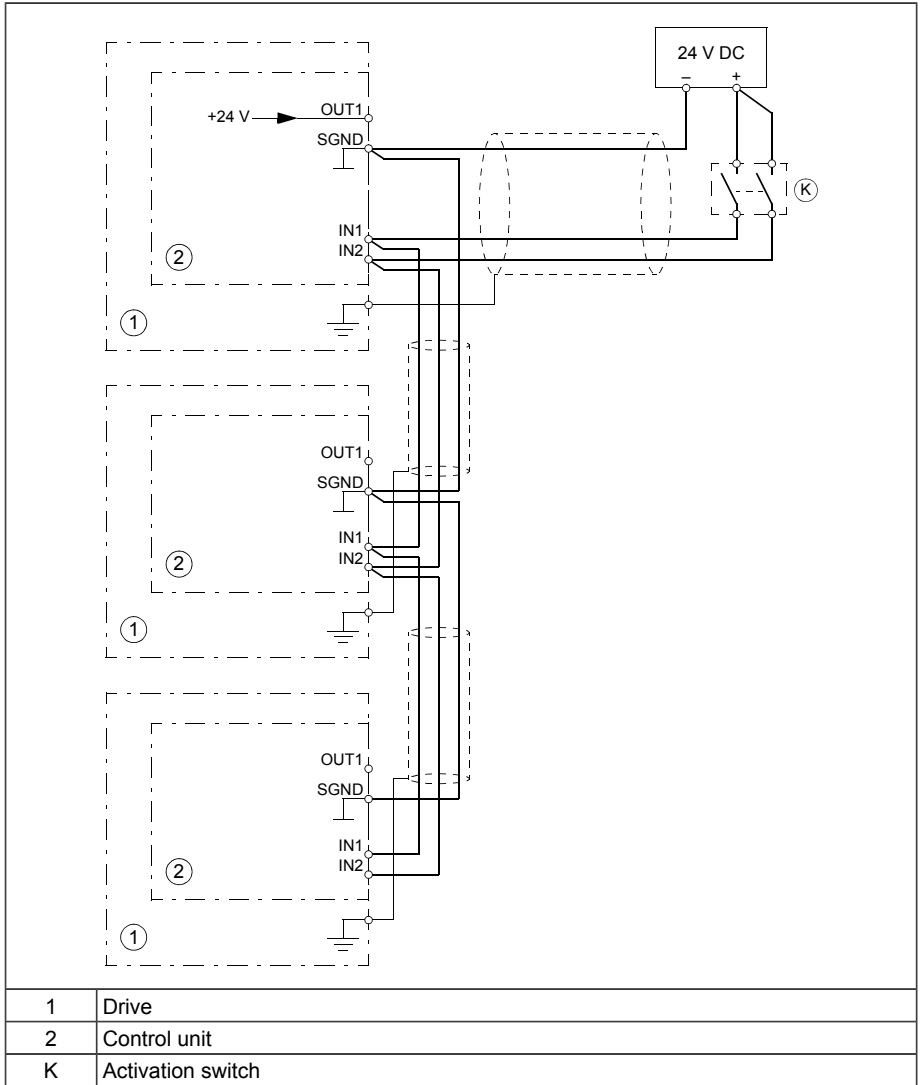
Single ACH480 drive, external power supply



Multiple ACH480 drives, internal power supply



Multiple ACH480 drives, external power supply



■ Activation switch

In the wiring diagrams, the activation switch has the designation [K]. This represents a component such as a manually operated switch, an emergency stop push button switch, or the contacts of a safety relay or safety PLC.

- In case a manually operated activation switch is used, the switch must be of a type that can be locked out to the open position.
- The contacts of the switch or relay must open/close within 200 ms of each other.

■ **Cable types and lengths**

- Double-shielded twisted-pair cable is recommended.
- Maximum cable lengths:
 - 300 m (1000 ft) between activation switch [K] and drive control unit
 - 60 m (200 ft) between multiple drives or inverter units
 - 60 m (200 ft) between external power supply and first control unit

Note: A short-circuit in the wiring between the switch and an STO terminal causes a dangerous fault. Therefore, it is recommended to use a safety relay (including wiring diagnostics) or a wiring method (shield grounding, channel separation) which reduces or eliminates the risk caused by the short-circuit.

Note: The voltage at the STO input terminals of the drive must be at least 13 V DC to be interpreted as “1”.

The pulse tolerance of the input channels is 1 ms.

■ **Grounding of protective shields**

- Ground the shield in the cabling between the activation switch and the control unit at the control unit only.
 - Ground the shield in the cabling between two control units at one control unit only.
-

Operation principle

1. The Safe torque off activates (the activation switch is opened, or safety relay contacts open).
2. The STO inputs of the drive control unit de-energize.
3. The control unit cuts off the control voltage from the output IGBTs.
4. The control program generates an indication as defined by parameter 31.22 (see the firmware manual of the drive).

The parameter selects which indications are given when one or both STO signals are switched off or lost. The indications also depend on whether the drive is running or stopped when this occurs.

Note: This parameter does not affect the operation of the STO function itself. The STO function will operate regardless of the setting of this parameter: a running drive will stop upon removal of one or both STO signals, and will not start until both STO signals are restored and all faults reset.

Note: The loss of only one STO signal always generates a fault as it is interpreted as a malfunction of STO hardware or wiring.

5. The motor coasts to a stop (if running). The drive cannot restart while the activation switch or safety relay contacts are open. After the contacts close, a reset may be needed (depending on the setting of parameter 31.22). A new start command is required to start the drive.
-

Start-up including acceptance test

To ensure the safe operation of a safety function, validation is required. The final assembler of the machine must validate the function by performing an acceptance test. The acceptance test must be performed

- at initial start-up of the safety function
- after any changes related to the safety function (circuit boards, wiring, components, settings, etc.)
- after any maintenance work related to the safety function.

■ Competence


The acceptance test of the safety function must be carried out by a competent person with adequate expertise and knowledge of the safety function as well as functional safety, as required by IEC 61508-1 clause 6. The test procedures and report must be documented and signed by this person.

■ Acceptance test reports

Signed acceptance test reports must be stored in the logbook of the machine. The report shall include documentation of start-up activities and test results, references to failure reports and resolution of failures. Any new acceptance tests performed due to changes or maintenance shall be logged into the logbook.

■ Acceptance test procedure

After wiring the Safe torque off function, validate its operation as follows.

Action	<input checked="" type="checkbox"/>
 WARNING! Obey the safety instructions. If you ignore them, injury or death, or damage to the equipment can occur.	<input type="checkbox"/>
Make sure that the drive can be run and stopped freely during start-up.	<input type="checkbox"/>
Stop the drive (if running), switch the input power off and isolate the drive from the power line using a disconnecter.	<input type="checkbox"/>
Check the STO circuit connections against the wiring diagram.	<input type="checkbox"/>
Close the disconnecter and switch the power on.	<input type="checkbox"/>

<p>Action</p>	<input checked="" type="checkbox"/>
<p>Test the operation of the STO function when the motor is stopped.</p> <ul style="list-style-type: none"> • Give a stop command for the drive (if running) and wait until the motor shaft is at a standstill. <p>Make sure that the drive operates as follows:</p> <ul style="list-style-type: none"> • Open the STO circuit. The drive generates an indication if one is defined for the 'stopped' state in parameter 31.22 (see the firmware manual). • Give a start command to verify that the STO function blocks the drive's operation. The drive generates a warning. The motor should not start. • Close the STO circuit. • Reset any active faults. Restart the drive and check that the motor runs normally. 	<input type="checkbox"/>
<p>Test the operation of the STO function when the motor is running.</p> <ul style="list-style-type: none"> • Start the drive and make sure the motor is running. • Open the STO circuit. The motor should stop. The drive generates an indication if one is defined for the 'running' state in parameter 31.22 (see the firmware manual). • Reset any active faults and try to start the drive. • Make sure that the motor stays at a standstill and the drive operates as described above in testing the operation when the motor is stopped. • Close the STO circuit. • Reset any active faults. Restart the drive and check that the motor runs normally. 	<input type="checkbox"/>
<p>Test the operation of the failure detection of the drive. The motor can be stopped or running.</p> <ul style="list-style-type: none"> • Open the 1st channel of the STO circuit (wire coming to IN1). If the motor was running, it should coast to a stop. The drive generates a <i>FA81 Safe Torque Off 1 loss</i> fault indication (see the firmware manual). • Give a start command to verify that the STO function blocks the drive's operation. The motor should not start. • Close the STO circuit. • Reset any active faults. Restart the drive and check that the motor runs normally. • Open the 2nd channel of the STO circuit (wire coming to IN2). If the motor was running, it should coast to a stop. The drive generates a <i>FA82 Safe Torque Off 2 loss</i> fault indication (see the firmware manual). • Give a start command to verify that the STO function blocks the drive's operation. The motor should not start. • Close the STO circuit. • Reset any active faults. Restart the drive and check that the motor runs normally. 	<input type="checkbox"/>
<p>Document and sign the acceptance test report which verifies that the safety function is safe and accepted for operation.</p>	<input type="checkbox"/>

Use

1. Open the activation switch, or activate the safety functionality that is wired to the STO connection.
2. The STO inputs on the drive control unit de-energize, and the control unit cuts off the control voltage from the output IGBTs.
3. The control program generates an indication as defined by parameter 31.22 (see the firmware manual of the drive).
4. The motor coasts to a stop (if running). The drive will not restart while the activation switch or safety relay contacts are open.
5. Deactivate the STO by closing the activation switch, or resetting the safety functionality that is wired to the STO connection.
6. Reset any faults before restarting.



WARNING!

The Safe torque off function does not disconnect the voltage of the main and auxiliary circuits from the drive. Therefore maintenance work on electrical parts of the drive or the motor can only be carried out after isolating the drive from the supply and all other voltage sources.



WARNING!

(With permanent magnet or synchronous reluctance [SynRM] motors only)

In case of a multiple IGBT power semiconductor failure, the drive can produce an alignment torque which maximally rotates the motor shaft by $180/p$ degrees (with permanent magnet motors) or $180/2p$ degrees (with synchronous reluctance [SynRM] motors) regardless of the activation of the Safe torque off function. p denotes the number of pole pairs.

Notes:

- If a running drive is stopped by using the Safe torque off function, the drive will cut off the motor supply voltage and the motor will coast to a stop. If this causes danger or is not otherwise acceptable, stop the drive and machinery using the appropriate stop mode before activating the Safe torque off function.
 - The Safe torque off function overrides all other functions of the drive.
 - The Safe torque off function is ineffective against deliberate sabotage or misuse.
 - The Safe torque off function has been designed to reduce the recognized hazardous conditions. In spite of this, it is not always possible to eliminate all potential hazards. The assembler of the machine must inform the final user about the residual risks.
 - The Safe torque off diagnostics are not available during power outages, or when the drive is only powered by the BAPO-xx auxiliary power extension module.
-

Maintenance

After the operation of the circuit is validated at start-up, the STO function shall be maintained by periodic proof testing. In high demand mode of operation, the maximum proof test interval is 20 years. In low demand mode of operation, the maximum proof test interval is 5 or 2 years; see section [Safety data \(page 195\)](#). It is assumed that all dangerous failures of the STO circuit are detected by the proof test. To perform the proof test, do the [Acceptance test procedure \(page 190\)](#).

Note: See also the Recommendation of Use CNB/M/11.050 (published by the European co-ordination of Notified Bodies) concerning dual-channel safety-related systems with electromechanical outputs:

- When the safety integrity requirement for the safety function is SIL 3 or PL e (cat. 3 or 4), the proof test for the function must be performed at least every month.
- When the safety integrity requirement for the safety function is SIL 2 (HFT = 1) or PL d (cat. 3), the proof test for the function must be performed at least every 12 months.

The STO function of the drive does not contain any electromechanical components.

In addition to proof testing, it is a good practice to check the operation of the function when other maintenance procedures are carried out on the machinery.

Include the Safe torque off operation test described above in the routine maintenance program of the machinery that the drive runs.

If any wiring or component change is needed after start up, or the parameters are restored, do the test given in section [Acceptance test procedure \(page 190\)](#).

Use only spare parts approved by ABB.

Record all maintenance and proof test activities in the machine logbook.

■ Competence

The maintenance and proof test activities of the safety function must be carried out by a competent person with adequate expertise and knowledge of the safety function as well as functional safety, as required by IEC 61508-1 clause 6.

Fault tracing

The indications given during the normal operation of the Safe torque off function are selected by drive control program parameter 31.22.

The diagnostics of the Safe torque off function cross-compare the status of the two STO channels. In case the channels are not in the same state, a fault reaction function is performed and the drive trips on an “STO hardware failure” fault. An attempt to use the STO in a non-redundant manner, for example activating only one channel, will trigger the same reaction.

See the firmware manual of the drive control program for the indications generated by the drive, and for details on directing fault and warning indications to an output on the control unit for external diagnostics.

Any failures of the Safe torque off function must be reported to ABB.

Safety data

The safety data for the Safe torque off function is given below.

Note: The safety data is calculated for redundant use, and does not apply if both STO channels are not used.

Frame size	SIL/SILCL	PL	SFF (%)	PFH (T ₁ = 20 a) (1/h)	PFD _{avg} (T ₁ = 2 a)	PFD _{avg} (T ₁ = 5 a)	MTTF _D (a)	DC (%)	Cat.	SC	HFT	CCF	T _M (a)
3-phase U _N = 400/480 V													
R1	3	e	>90	8.00E-09	6.68E-05	1.67E-04	2568	≥90	3	3	1	80	20
R2	3	e	>90	8.00E-09	6.68E-05	1.67E-04	2568	≥90	3	3	1	80	20
R3	3	e	>90	8.00E-09	6.68E-05	1.67E-04	2569	≥90	3	3	1	80	20
R4	3	e	>99	8.00E-09	6.68E-05	1.67E-04	2568	≥90	3	3	1	80	20
3AXD10000320081 D													

- The following temperature profile is used in safety value calculations:
 - 670 on/off cycles per year with $\Delta T = 71.66 \text{ }^\circ\text{C}$
 - 1340 on/off cycles per year with $\Delta T = 61.66 \text{ }^\circ\text{C}$
 - 30 on/off cycles per year with $\Delta T = 10.0 \text{ }^\circ\text{C}$
 - 32 °C board temperature at 2.0% of time
 - 60 °C board temperature at 1.5% of time
 - 85 °C board temperature at 2.3% of time.
- The STO is a type A safety component as defined in IEC 61508-2.
- Relevant failure modes:
 - The STO trips spuriously (safe failure)
 - The STO does not activate when requested
 - A fault exclusion on the failure mode “short circuit on printed circuit board” has been made (EN 13849-2, table D.5). The analysis is based on an assumption that one failure occurs at one time. No accumulated failures have been analyzed.
- STO response times:
 - STO reaction time (shortest detectable break): 1 ms
 - STO response time: 5 ms (typical), 15 ms (maximum)
 - Fault detection time: Channels in different states for longer than 200 ms
 - Fault reaction time: Fault detection time + 10 ms
- Indication delays:

- STO fault indication (parameter 31.22) delay: < 500 ms
- STO warning indication (parameter 31.22) delay: < 1000 ms

■ Abbreviations

Abbr.	Reference	Description
Cat.	EN ISO 13849-1	Classification of the safety-related parts of a control system in respect of their resistance to faults and their subsequent behavior in the fault condition, and which is achieved by the structural arrangement of the parts, fault detection and/or by their reliability. The categories are: B, 1, 2, 3 and 4.
CCF	EN ISO 13849-1	Common cause failure (%)
DC	EN ISO 13849-1	Diagnostic coverage
HFT	IEC 61508	Hardware fault tolerance
MTTF _D	EN ISO 13849-1	Mean time to dangerous failure: (Total number of life units) / (Number of dangerous, undetected failures) during a particular measurement interval under stated conditions
PFD _{avg}	IEC 61508	Average probability of dangerous failure on demand, that is, mean unavailability of a safety-related system to perform the specified safety function when a demand occurs
PFH	IEC 61508	Average frequency of dangerous failures per hour, that is, average frequency of a dangerous failure of a safety related system to perform the specified safety function over a given period of time
PL	EN ISO 13849-1	Performance level. Levels a...e correspond to SIL
SC	IEC 61508	Systematic capability
SFF	IEC 61508	Safe failure fraction (%)
SIL	IEC 61508	Safety integrity level (1...3)
SILCL	IEC/EN 62061	Maximum SIL (level 1...3) that can be claimed for a safety function or subsystem
STO	IEC/EN 61800-5-2	Safe torque off
T ₁	IEC 61508-6	Proof test interval. T ₁ is a parameter used to define the probabilistic failure rate (PFH or PFD) for the safety function or subsystem. Performing a proof test at a maximum interval of T ₁ is required to keep the SIL capability valid. The same interval must be followed to keep the PL capability (EN ISO 13849) valid. See also section Maintenance.

Abbr.	Reference	Description
T _M	EN ISO 13849-1	Mission time: the period of time covering the intended use of the safety function/device. After the mission time elapses, the safety device must be replaced. Note that any T _M values given cannot be regarded as a guarantee or warranty.

■ **TÜV certificate**

The TÜV certificate is available on the Internet at www.abb.com/drives/documents.

■ Declaration of conformity



EU Declaration of Conformity

Machinery Directive 2006/42/EC

We

Manufacturer:
Address:
Phone:

ABB Oy
Hiomotie 13, 00380 Helsinki, Finland.
+358 10 22 11

declare under our sole responsibility that the following product:

Frequency converter(s)
ACH480-04

with regard to the safety function(s)

Safe Torque Off

is/are in conformity with all the relevant safety component requirements of EU Machinery Directive 2006/42/EC, when the listed safety function is used for safety component functionality.

The following harmonized standards have been applied:

EN 61800-5-2:2007

Adjustable speed electrical power drive systems – Part 5-2: Safety requirements - Functional

EN 62061:2005

+ AC:2010 + A1:2013 + A2:2015

Safety of machinery – Functional safety of safety-related electrical, electronic and programmable electronic control systems

EN ISO 13849-1:2015

Safety of machinery – Safety-related parts of control systems.

EN ISO 13849-2:2012

Part 1: General requirements

Safety of machinery – Safety-related parts of the control systems.

EN 60204-1: 2006 + A1:2009 + AC:2010

Part 2: Validation

Safety of machinery – Electrical equipment of machines – Part 1:

General requirements

The following other standards have been applied:

IEC 61508:2010, parts 1-2

Functional safety of electrical / electronic / programmable electronic safety-related systems

IEC 61800-5-2:2016

Adjustable speed electrical power drive systems – Part 5-2: Safety requirements - Functional

The product(s) referred in this Declaration of conformity fulfil(s) the relevant provisions of other European Union Directives which are notified in Single EU Declaration of conformity 3AXD10000751207.

Person authorized to compile the technical file:

Name and address: Risto Mynttinen, Hiomotie 13, 00380 Helsinki, Finland.

Helsinki, 08.11.2019

Manufacturer representative:

Document number 3AXD10000776487

Tuomo Tarula
Vice president, ABB Oy

14

BAPO-01 auxiliary power extension module

Contents of this chapter

This chapter contains a description and technical data of the optional BAPO-01 auxiliary power extension module.

Safety instructions

**WARNING!**

Obey the safety instructions of the drive. If you ignore them, injury or death, or damage to the equipment can occur.

Hardware description

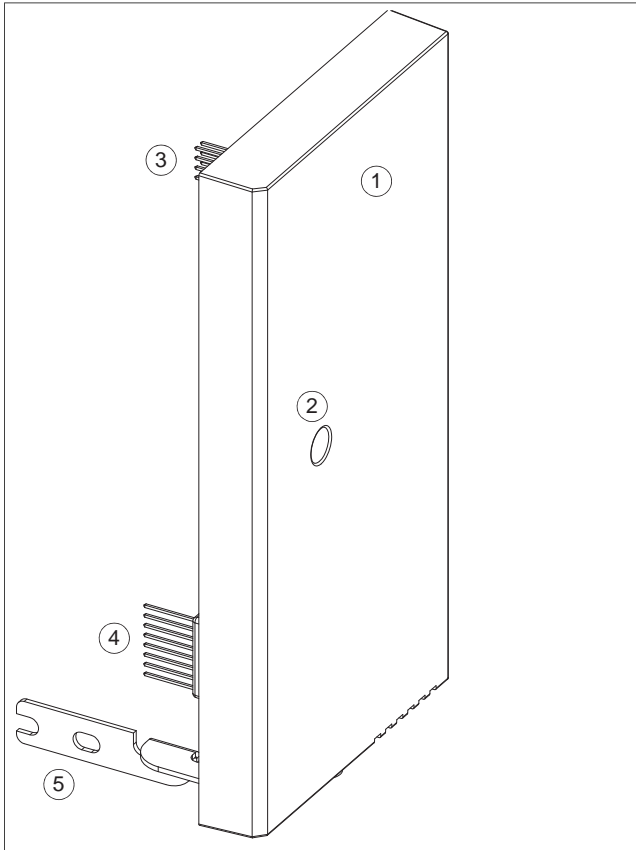
The BAPO-01 auxiliary power extension module (option +L534) lets you use an external 24 V DC power supply with the drive. An external power supply is used to keep the drive control board energized during a drive power outage.

The BAPO-01 module has internal connections to provide back-up power to the control board (I/O, fieldbus). There is a DC to DC flyback converter power supply inside the module. This power supply takes 24 V DC as input and outputs 5 V DC to the control board to keep the processor and communication links on at all times.

Note: The BAPO-01 is not a battery.

If you change drive parameters when the control board is energized by the BAPO-01 module, force parameter saving by setting the value of parameter 96.07 *PARAM SAVE* to (1) *SAVE*. Otherwise, changed data will not be saved.

■ **Layout**



- 1. BAPO-01 module
- 2. Locking screw hole
- 3. Internal X100 connector
- 4. Internal X102 connector
- 5. Grounding rail

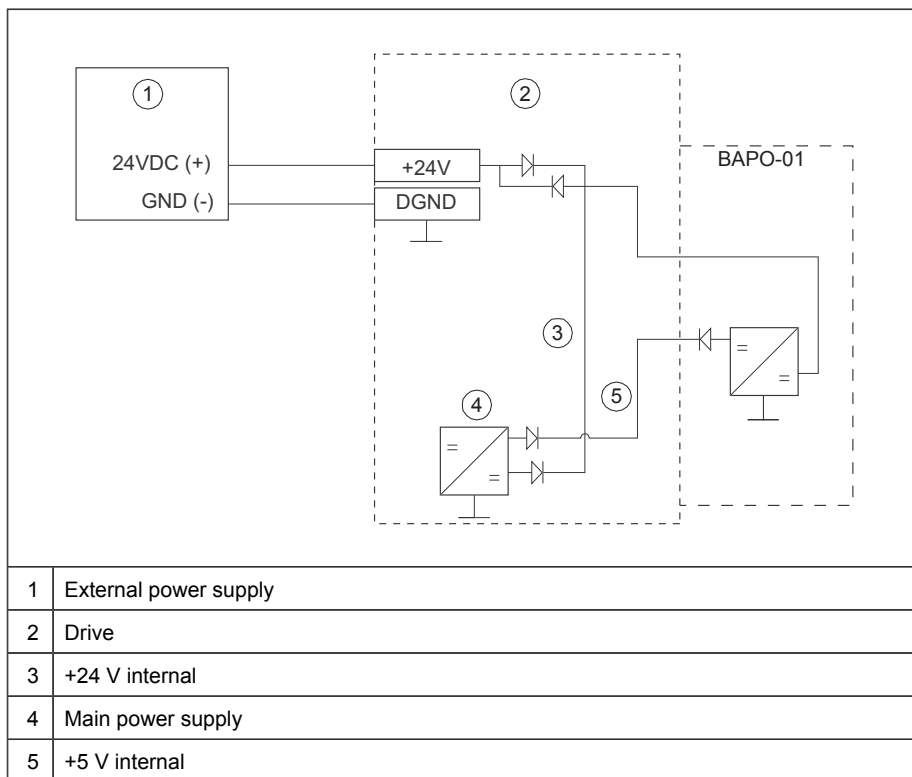
Mechanical installation

See the electrical installation instructions of the drive.

Electrical installation

Connect the external power supply to the +24 V and DGND terminals on the drive. See the electrical installation instructions of the drive.

Do not chain an external 24 V DC power supply to several drives. Each drive must be powered by a single 24 V DC power supply, or a separate 24 V DC output of one auxiliary power source.



Start-up

To configure the BAPO-01 module:

1. Power up the drive.
2. Set the parameter *95.04 Control board supply* to 1 (*External 24V*).

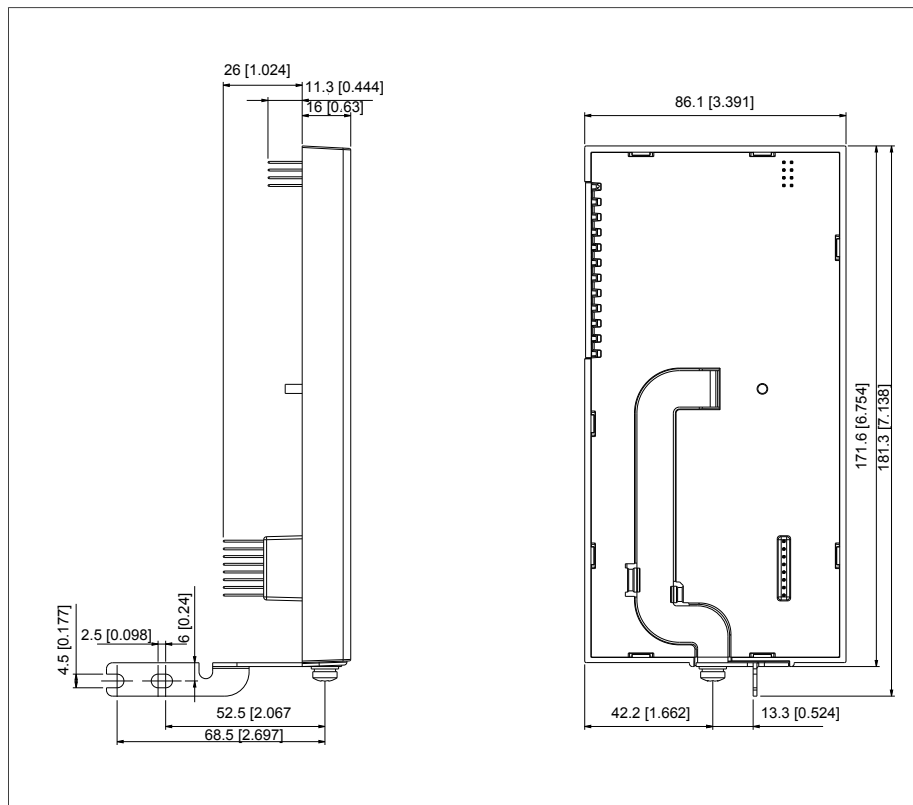
Technical data

Voltage and current rating for the auxiliary power supply: +24 V DC $\pm 10\%$, max. 1000 mA (including internal fan load).

Power loss: Power losses with maximum load 4 W.

202 BAPO-01 auxiliary power extension module

Dimensions:



15

BIO-01 I/O extension module

Contents of this chapter

This chapter contains a description and technical data of the optional BIO-01 I/O extension module.

Safety instructions



WARNING!

Obey the safety instructions of the drive. If you ignore them, injury or death, or damage to the equipment can occur.

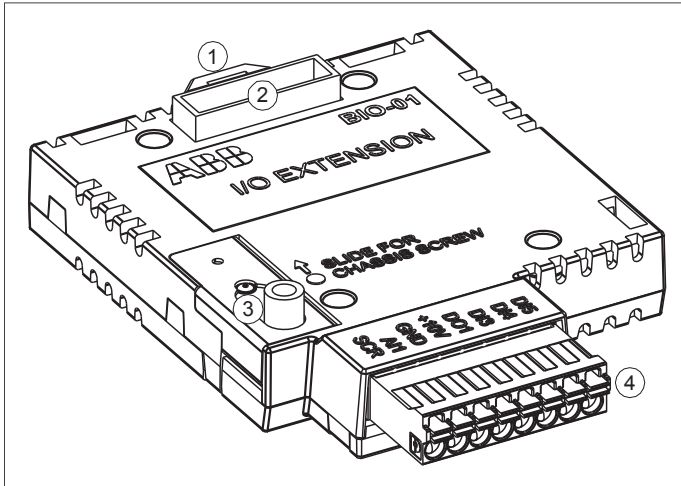
Hardware description

■ Product overview

The BIO-01 option module (option +L515) is an I/O extension module to be used with fieldbus adapter module. The BIO-01 module can be installed between the drive and the fieldbus module.

The BIO-01 has three additional digital inputs (DI3, DI4 and DI5), one analog input (AI1) and one digital output DO1 that is referred as DIO1 in the firmware (but works only in output mode). You can use DI4 and DI5 as frequency inputs and DO1 as a frequency output.

■ **Layout**



- 1. Locking tab
- 2. Option module slot
- 3. Chassis screw
- 4. I/O connector

Mechanical installation

See the electrical installation instructions of the drive.

Before you install the BIO-01 option module, make sure that the chassis screw slider is in the top position. After the option module is installed, tighten the chassis screw and move the slider to the bottom position.

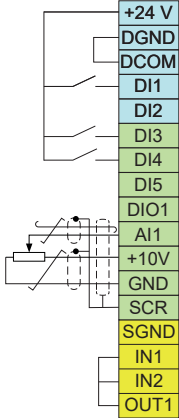
The BIO-01 option module kit comes with a higher cable clamp plate. Use this cable clamp plate to ground the wires that connect to the BIO-01 option module.

Electrical installation

The BIO-01 module has removable spring clamp terminals. Use ferrules on the multistranded conductor ends.

The connection diagram below is valid for the drive equipped with the BIO-01 I/O extension module.

The last column indicates the terminal location: × = base unit, blank = BIO-01 module.

Connection	Terminal	Description	
	+24 V	Auxiliary voltage output +24 V DC, max. 250 mA	×
	DGND	Auxiliary voltage output common	×
	DCOM	Digital input common for all	×
	DI1	Stop (0) / Start (1)	×
	DI2	Not configured	×
	DI3	Constant frequency/speed selection	
	DI4	Start interlock 1 (1 = allow start)	
	DI5	Not configured	
	DIO1	Not configured	
	AI1	Output frequency/speed ref: 0...10 V DC	
	+10V	Reference voltage +10 V DC (max. 10 mA)	
	GND	Analogue circuit common / DO common	
	SCR	Signal cable shield	
	SGND	Safe torque off. Both IN1 AND IN2 circuits must be closed for the drive to start. (Factory connection.)	×
	IN1		×
	IN2		×
	OUT1		×

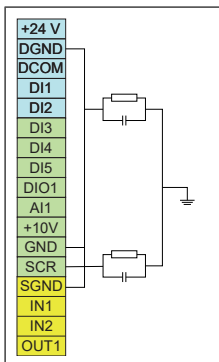
Start-up

The BIO-01 module is automatically identified by the drive firmware. To configure the inputs, refer to the drive firmware manual.

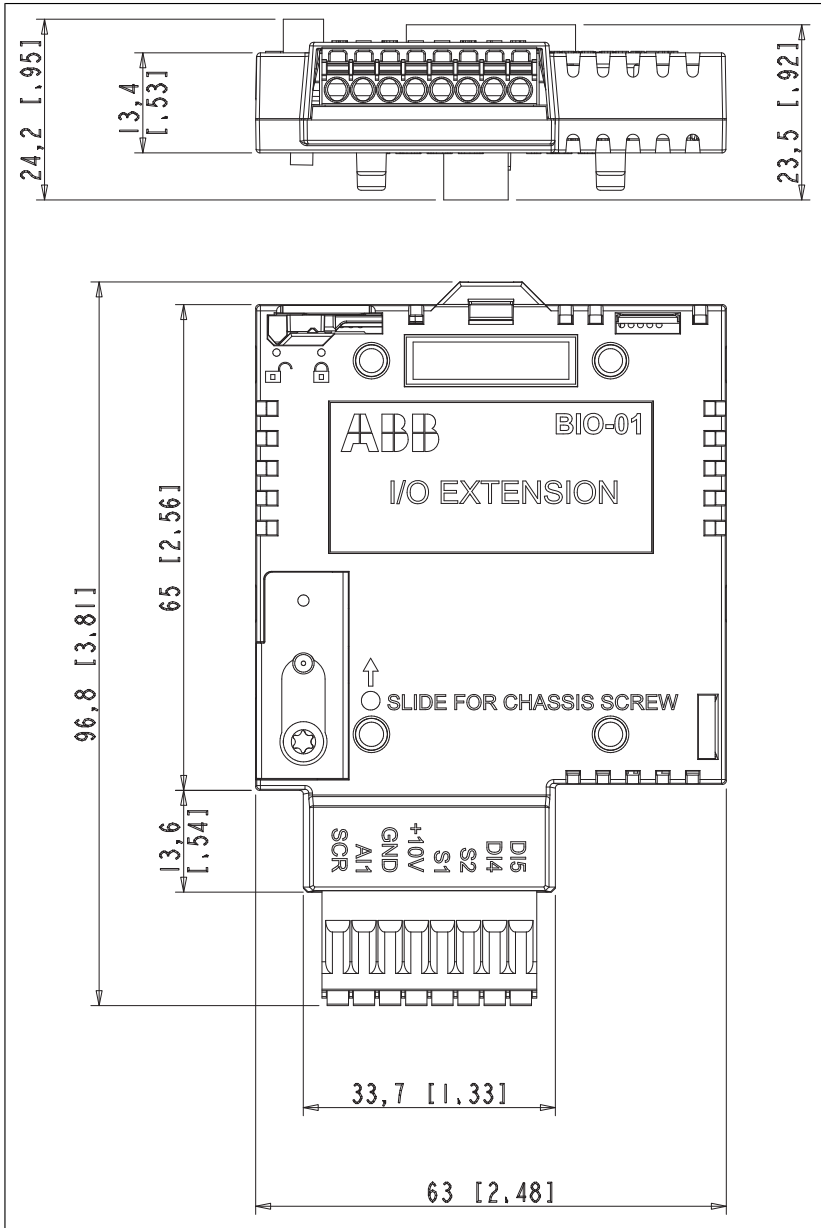
Technical data

Control connection data: Spring type terminal blocks. Conductor size accepted by the terminals: 0.2 ... 1.5 mm² (24 ... 16 AWG). Exception: max. 0.75 mm² (18 AWG) for a multistranded conductor with a ferrule and plastic sleeve.

Internal connections of GND and SCR terminals



Dimensions



16

BREL-01 relay output extension module

Contents of this chapter

This chapter contains a description and technical data of the optional BREL-01 relay output extension module.

Safety instructions



WARNING!

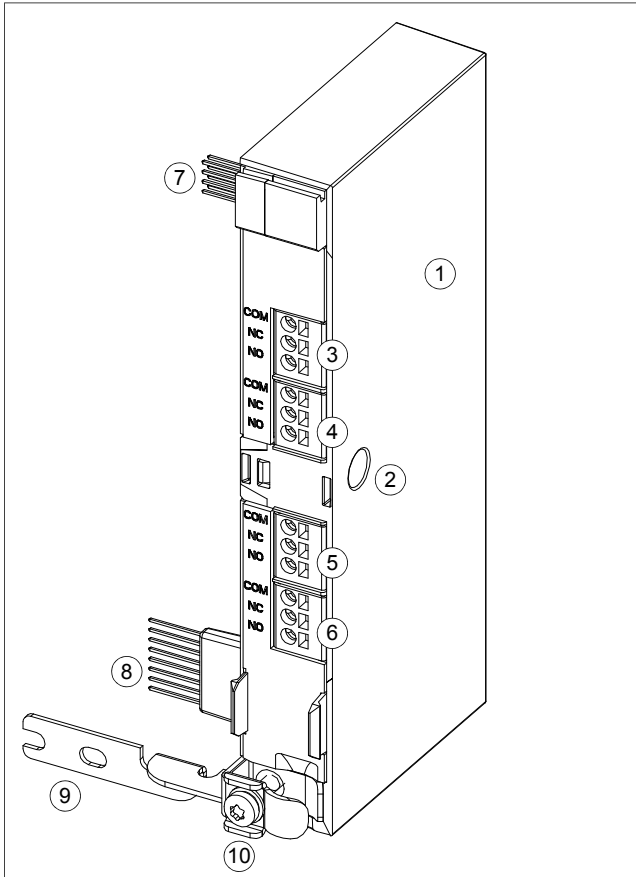
Obey the safety instructions of the drive. If you ignore them, injury or death, or damage to the equipment can occur.

Hardware description

■ Product overview

BREL-01 relay output extension module (option +L511) adds four relay outputs to the drive.

■ **Layout**



- 1. BREL-01 module
- 2. Locking screw hole
- 3. X103 connector
- 4. X104 connector
- 5. X105 connector
- 6. X106 connector
- 7. Internal X100 connector
- 8. Internal X102 connector
- 9. Grounding rail
- 10. Grounding screw

Mechanical installation

See the electrical installation instructions of the drive.

Electrical installation

Use 0.5 ... 2.5 mm² (20 ... 14 AWG) cable with a sufficient voltage rating.

If you connect an inductive load (relay or contactor coil, motor) protect the relay contacts with a varistor, RC filter (AC) or diode (DC). Install the protective component as close to the inductive load as possible. Do not install protective components at the relay output terminals.

Identification		Description	
X103	4		Output relays 4...7: Max. switching voltage: 250 V AC / 30 V DC Max. switching current: 2 A Galvanically isolated.
1	COM	Common	
2	NC	Normally closed	
3	NO	Normally open	
X104	5		
1	COM	Common	
2	NC	Normally closed	
3	NO	Normally open	
X105	6		
1	COM	Common	
2	NC	Normally closed	
3	NO	Normally open	
X106	7		
1	COM	Common	
2	NC	Normally closed	
3	NO	Normally open	

Start-up

To configure the operation of the relays added with the BREL-01 module:

1. Power up the drive.
2. Set the parameter *15.01 Extension module type* to 5 (BREL).
3. Use the control panel on the drive and set the parameters for relay outputs 4...7 in *15 I/O extension module*. Refer to the *ACH480 HVAC control program firmware manual* (3AXD50000247134 [English]) for parameter descriptions.

Configuration parameters

The configuration parameters of the BREL-01 module are in group *15 I/O extension module*.

No.	Name/Value	Description	Def / FbEq16/32
15 I/O extension module			
15.01	Extension module type	Activates (and specifies the type of) I/O extension module.	None
	BREL	External relay option BREL-01.	5
15.02	Detected extension module	I/O extension module detected on the drive.	None
	BREL	External relay option BREL-01.	5
15.04	RO status	Displays the status of the relay outputs. This parameter is read-only.	1 = 1

210 BREL-01 relay output extension module

No.	Name/Value	Description	Def / FbEq16/32
	Bit 0 RO4	1 = Relay output 4 is ON.	-
	Bit 1 RO5	1 = Relay output 5 is ON.	-
	Bit 2 RO6	1 = Relay output 6 is ON.	-
	Bit 3 RO7	1 = Relay output 7 is ON.	-
15.05	RO force selection	The electrical statuses of the relay/digital outputs can be overridden for e.g. testing purposes. A bit in parameter 15.06 RO forced data is provided for each relay or digital output, and its value is applied whenever the corresponding bit in this parameter is 1.	1 = 1
	Bit 0 RO4	1 = Force relay output 4 to value of bit 0 of parameter 15.06 RO forced data.	-
	Bit 1 RO5	1 = Force relay output 5 to value of bit 0 of parameter 15.06 RO forced data.	-
	Bit 2 RO6	1 = Force relay output 6 to value of bit 0 of parameter 15.06 RO forced data.	-
	Bit 3 RO7	1 = Force relay output 7 to value of bit 0 of parameter 15.06 RO forced data.	-
15.06	RO forced data	Allows the data value of a forced relay or digital output to be changed from 0 to 3.	1 = 1
	Bit 0 RO4	Force the value of this bit to RO4, if so defined in parameter 15.05 RO force selection.	-
	Bit 1 RO5	Force the value of this bit to RO5, if so defined in parameter 15.05 RO force selection.	-
	Bit 2 RO6	Force the value of this bit to RO6, if so defined in parameter 15.05 RO force selection.	-
	Bit 3 RO7	Force the value of this bit to RO7, if so defined in parameter 15.05 RO force selection.	-
15.07	RO4 source	Selects a drive signal to be connected to relay output RO4.	Not energized
	Not energized	Output is not energized.	0
	Energized	Output is energized.	1
	For the complete parameter list, refer to the drive firmware manual.		...
15.08	RO4 ON delay	Defines the activation delay for relay output RO4.	0.0 s
	0.0 ... 3000.0 s	Activation delay for RO4.	10 = 1 s
15.09	RO4 OFF delay	Defines the deactivation delay for relay output RO4.	0.0 s
	0.0 ... 3000.0 s	Deactivation delay for RO4.	10 = 1 s
15.10	RO5 source	Selects a drive signal to be connected to relay output RO5.	Not energized
	Not energized	Output is not energized.	0
	Energized	Output is energized.	1
	For the complete parameter list, refer to the drive firmware manual.		...
15.11	RO5 ON delay	Defines the activation delay for relay output RO5.	0.0 s

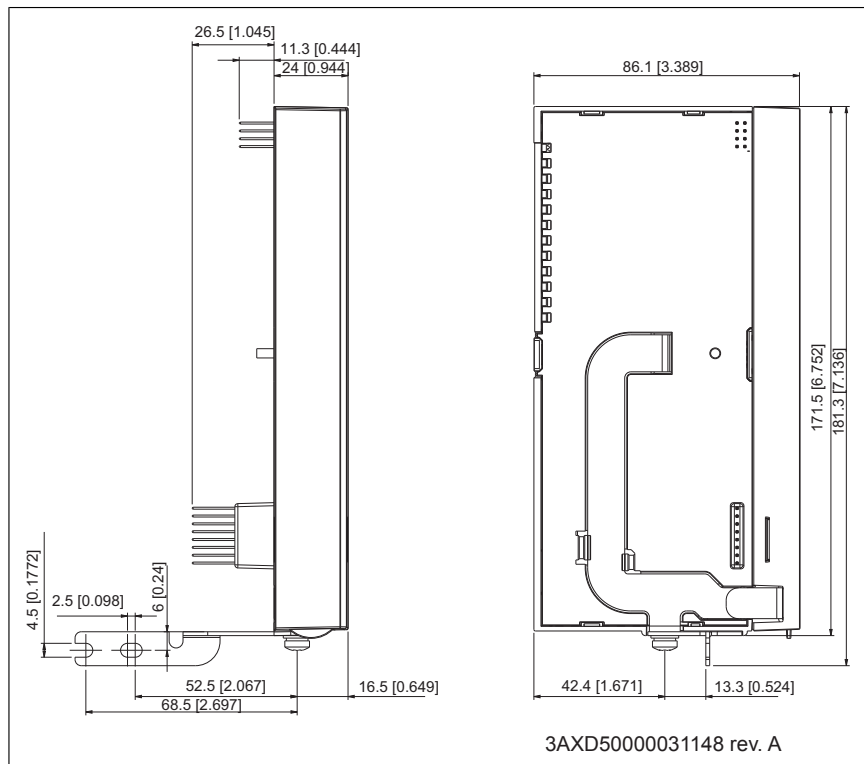
No.	Name/Value	Description	Def / FbEq16/32
	0.0 ... 3000.0 s	Activation delay for RO5.	10 = 1 s
15.12	RO5 OFF delay	Defines the deactivation delay for relay output RO5.	0.0 s
	0.0 ... 3000.0 s	Deactivation delay for RO5.	10 = 1 s
15.13	RO6 source	Selects a drive signal to be connected to relay output RO6.	Not energized
	Not energized	Output is not energized.	0
	Energized	Output is energized.	1
	For the complete parameter list, refer to the drive firmware manual.		...
15.14	RO6 ON delay	Defines the activation delay for relay output RO6.	0.0 s
	0.0 ... 3000.0 s	Activation delay for RO6.	10 = 1 s
15.15	RO6 OFF delay	Defines the deactivation delay for relay output RO6.	0.0 s
	0.0 ... 3000.0 s	Deactivation delay for RO6.	10 = 1 s
15.16	RO7 source	Selects a drive signal to be connected to relay output RO7.	Not energized
	Not energized	Output is not energized.	0
	Energized	Output is energized.	1
	For the complete parameter list, refer to the drive firmware manual.		...
15.17	RO7 ON delay	Sets the activation delay for relay output 7.	0.0 s
	0.0...3000.0 s	Activation delay for relay output 7.	10 = 1 s
15.18	RO7 OFF delay	Sets the deactivation delay for relay output 7.	0.0 s
	0.0...3000.0 s	Deactivation delay for relay output 7.	10 = 1 s

Technical data

External connectors: Four 3-pin (1×3) spring-clamp type terminal blocks, tin plated, 2.5 mm² (14 AWG) wire size, pitch 5.0 mm.

Internal connectors: Connector X102 provides relay control signals from the control board: 1×8 pin header, pitch 2.54 mm, height 33.53 mm. Connector X100 is not in use in BREL-01: 2×4 pin header, pitch 2.54 mm, height 15.75 mm.

Dimensions:





Further information

Product and service inquiries

Address any inquiries about the product to your local ABB representative, quoting the type designation and serial number of the unit in question. A listing of ABB sales, support and service contacts can be found by navigating to www.abb.com/searchchannels.

Product training

For information on ABB product training, navigate to new.abb.com/service/training.

Providing feedback on ABB manuals

Your comments on our manuals are welcome. Navigate to new.abb.com/drives/manuals-feedback-form.

Document library on the Internet

You can find manuals and other product documents in PDF format on the Internet at www.abb.com/drives/documents.



www.abb.com/drives



3AXD50000245949B