



20 SERIES

- 1-1/8" flange, fillable dry or liquid-filled gauge
- Ranges from 0 psig to 1,000 psig through 0 psig to 15,000 psig
- 4" gauge size
- Electropolished stainless steel case
- 316 stainless steel wetted parts
- Meets current standards for 3A and ASME BPE-2009
- C.I.P, S.I.P and Autoclave (only dry gauges are recommended for Autoclave)

APPLICATIONS

- High pressure processing
- Pasteurization systems
- Homogenization systems

SPECIFICATIONS

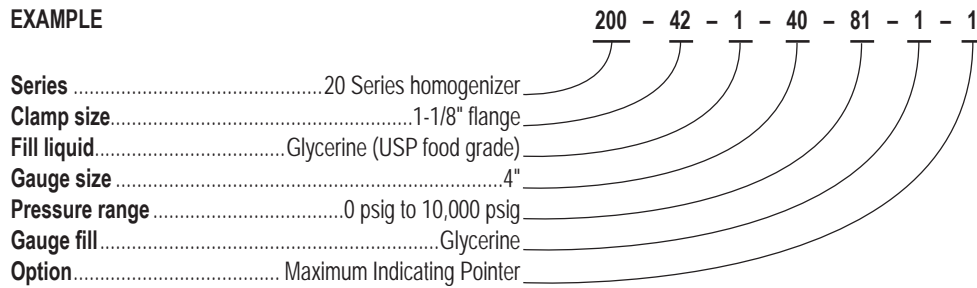
Pressure ranges	0 psig to 1,000 psig through 0 psig to 15,000 psig
Accuracy	±1.0% full scale
Temperature ranges	Media -4 °F to 302 °F (-20 °C to 150 °C) Ambient 25 °F to 140 °F (-4 °C to 60 °C) Storage 25 °F to 140 °F (-4 °C to 60 °C)
Measuring element	316 stainless steel coiled safety tube
Connection	1-1/8" Homogenizer flange, 316L stainless steel Diaphragm 316L stainless steel, electropolished to 32 µin Ra or better
Case	Electropolished 304 stainless steel
Bayonet ring	Electropolished 304 stainless steel
Lens	Laminated safety glass
Pointer	Balanced aluminum, black finish
Dial	Aluminum, white background, black print
Movement	Stainless steel
Fill liquid	Glycerine, USP Grade

Diaphragm seal must be installed facing downward or in a vertical position for drainability.
Do not install diaphragm seal facing in an upward position.

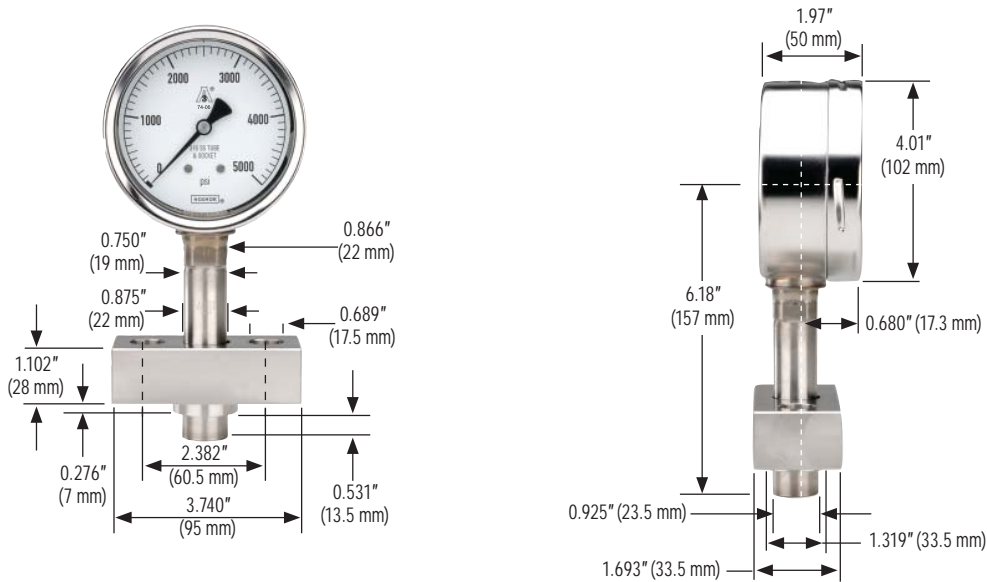
ORDERING INFORMATION				
SERIES	200 20 Series homogenizer			
CLAMP SIZE	42 1-1/8" flange			
FILL LIQUID	1 Glycerine	Other food grade quality fill fluids available- please consult factory		
GAUGE SIZE	40 4"			
PRESSURE RANGES	73 0 psig to 1,000 psig	79 0 psig to 2,000 psig	85 0 psig to 5,000 psig	81 0 psig to 10,000 psig
	76 0 psig to 1,500 psig	82 0 psig to 3,000 psig	88 0 psig to 6,000 psig	94 0 psig to 15,000 psig
GAUGE FILLS	0 None	1 Glycerine	2 Silicone	3 Mineral oil
	(All food grade quality fill fluids)			
GAUGE OPTIONS	0 None	1 Max. Indicating Pointer	2 Adjustable Pointer	

Please consult your local NOSHOK Distributor or NOSHOK, Inc. for availability and delivery information.

EXAMPLE



4" Gauge with 1-1/8" Homogenizer Flange



(Custom Flange Dimensions are Available to your Specifications – Please Consult Factory)