



Catalog

ABB DC Drives DCS800, 20 A to 5200 A

Type code

Type code:

DCS800 - S01 - 0680 - 04 - + L508

DC Drives

Product family

S800 = DCS800 converter

Type

S0 = 3-phase converter module

R0 = Rebuild kit

A0 = Enclosed converter

E0 = Panel mounted converter

Bridge type

1 = single (2-Q)

2 = anti-parallel (4-Q)

Rated DC current

0680 = e.g. 680 A DC (IP00)

Rated AC voltage

04 = 230...400 V_{AC}

05 = 230...525 V_{AC}

06 = 270...600 V_{AC}

07 = 315...690 V_{AC}

08 = 360...800 V_{AC}

10 = 450...990 V_{AC}

12 = 540...1200 V_{AC}

Power connection (D7)

- = no option (sizes D1...D6)

R = on the right

L = on the left

Plug-in options

External options

Contents

ABB DC drive DCS800

	Page
ABB DC drive DCS800	4
DCS800 power converter modules.....	5
Ratings, types and voltages	6
Current ratings.....	7
Environmental conditions	8
Dimensioning.....	11
Easy commissioning.....	12
Start-up assistant.....	13
Adaptive programming	13
DCS800 firmware.....	14
Plug-in options	15
External field supply.....	16
Fuse connections	18
Line reactors.....	19
IEC 61131 programming	20
Fieldbus control.....	21
DriveWindow Light 2	22
Start-up, maintenance and integration (DriveWindow 2)	24
Start-up, maintenance and integration (DriveOPC)	25
Remote monitoring tool	26
Service products	26

ABB DC drive DCS800

What is a DCS800 DC drive?

The DCS800 DC Drive is simple to buy, install, configure and use, saving considerable time.

- Precise delivery
- Quick installation
- Rapid start-up

The drive has common user and process interface with fieldbus, common software tools for sizing, commissioning, maintenance and common spare parts.

Where can it be used?

DCS800 can be used in the wide range of all industrial application of:

- Metals
- Pulp & Paper
- Material handling
- Test rigs
- Food & Beverage
- Printing
- Plastic & Rubber
- Vessels
- Ski lifts
- Magnets
- Mining
- Electrolysis
- Battery Chargers
- and more

DCS800 DC drive promises

The drive meet the requirement of all demanding drive application like: testrig, mine hoist, rolling mill as well as none motoric applications like: electrolysis, magnetics, battery charger ...

Embedded software functions offer the upgrades of all classic installations 12-pulse, shared motion, double motor operation, field reversal control.

Highlights

- Assistant control panel providing intuitive use of the drive.
- Excellent control performance up to highest dynamic application in field weakening operation.
- All ACS800 PC tools (via DDCS) can be connected
- Reduced installation and commissioning work.
- Internal three phase field exciter without additional external hardware.
- Prepared for additional software function by adaptive programming and IEC 61131 programming.
- Flexible fieldbus system with built-in Modbus and numerous internally mountable fieldbus adapters.

What are its main features?

Feature	Note	Benefit
	Two soft-keys, function of which changes according to the state of the panel Built-in "Help" button Real-time clock, allows timed tracing of faults Changed parameters menu	Easy commissioning Fast set-up Easier configuration; Rapid fault diagnosis Quick access to recent parameter changes
Start-up assistant	Available in DriveWindow Light tool and DCS800 Panel	Guided commissioning Preselected important parameter Help function Reduced commissioning time
Several autotunings	Speed-, armature current, field current control and field weakening	Reduced commissioning time Reduced training
Connectivity	Simple to install: Easy connection of cables Easy connection to external fieldbus systems through multiple I/Os and plug-in options	Reduced installation time Secure cable connections
Diagnostic assistant	Activated when fault occurs	Quick fault diagnostics, short commissioning
Advanced DC operation	12-pulse parallel, 12-pulse serial, sequential control and sandwich configuration	Drive fit to all classic and advanced installation up to highest power
Advanced motor control	Motor voltage controller takes care on line voltage level and sudden voltage drop	Reliable and safe operation also for weak networks
Fieldbus	Built-in Modbus using RS 485 Optional plug-in fieldbus modules	Reduced cost
Highest motor voltage	By reduced dynamic the motor voltage can be increased	Simple upgrading of original 2-Quadrant installations to 4-Quadrant operation
ACS800 interfaces	All HW options and PC tools of ACS800 are available with same plus code	Reduced spare parts, Reduced training, Simple ordering

DCS800 power converter modules

General

The power converter modules DCS800-S have the protection class IP00 and are to be mounted in a cubicle or finger protected area. There are different sizes (D1, D2, D3, D4, D5, D6, D7), graduated in terms of current and voltage ranges.

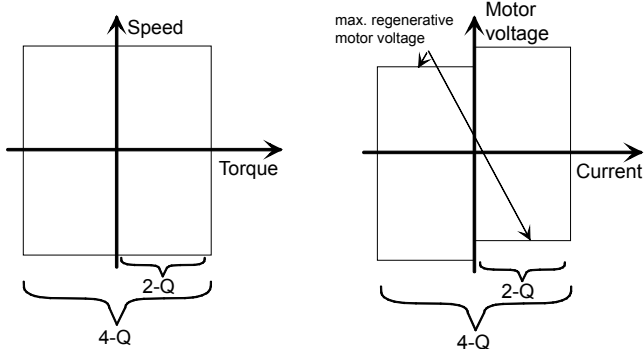
All units are equipped with the DCS800 Control Panel. It can be snapped into place on the power converter module or installed in the switchgear cubicle door by means of a mounting kit.

Accessories such as external fuses, line reactors etc. are also available, to complete the drive system.

Reference variables

The voltage characteristics are shown in the table beside. The DC voltage characteristics have been calculated using the following assumptions:

- U_{VN} = rated input terminal voltage, 3-phase
- Voltage tolerance $\pm 10\%$
- Internal voltage drop approx. 1%
- If a deviation or a voltage drop has to be taken into consideration in compliance with IEC and VDE standards, the output voltage or the output current must be reduced by the actual factor according to the table on the right.



All converter modules up to 525 V and 1000 A (D1...D4) are equipped with field exciters.

The power section of the converters is available as single (2-Q) bridge or double (4-Q) bridge. 4-Q drives are required for regenerative braking. 4-Q drives can be built by:

- Double (4-Q) armature bridge or
- Single (2-Q) armature bridge plus a double (4-Q) field converter bridge

The bridge type has an influence on the maximum output voltage of the converter. See table below.

System connection voltage	DC voltage (recommended)		Ideal DC voltage without load	Recommended DCS800 voltage class
	U_{VN} [V]	$U_{dmax\ 2-Q}$ [V] : $U_{dmax\ 4-Q}$ [V]	U_{di0} [V]	
230	265	240	310	04
380	440	395	510	04
400	465	415	540	04
415	480	430	560	04
440	510	455	590	05
460	530	480	620	05
480	555	500	640	05
500	580	520	670	05
525	610	545	700	06
575	670	600	770	06
600	700	625	810	06
660	765	685	890	07
690	800	720	930	07
800	915	820	1060	08
990	1160	1040	1350	10
1200	1380	1235	1590	12

If armature voltages higher than recommended are requested, please check carefully, whether your system is still working under safe conditions.

The maximum output voltage of a 4-Q drive can be increased up to the level of $U_{dmax\ 2-Q}$. Thus the torque reversal from motoring mode to generating mode increases up to 300 ms. This lowers the dynamics of the drive and is only recommended for non-dynamic applications (e.g. E-Stop function).

Ratings, types and voltages

Current ratings, dimensions and weights

Unit size	2-Q	4-Q	Supply voltage [V _{AC}]						Weight [kg]	Dimensions	
	rated Current DCS800-S01 I _{DC} [A]	rated Current DCS800-S02 I _{DC} [A]	400	500/525/600	690	800	990	1200		h x w x d [mm]	h x w x d [inch]
D1	20	25	●	●					11	370 x 270 x 200	14.56 x 10.65 x 7.90
	45	50	●	●							
	65	75	●	●							
	90	100	●	●							
	125	140	●	●							
D2	180	200	●	●				16	370 x 270 x 270	14.56 x 10.65 x 10.65	
	230	260	●	●							
D3	315	350	●	●	● 3)			25	459 x 270 x 310	18.07 x 10.65 x 12.25	
	405	450	●	●							
	470	520	●	●							
D4	610	680	●	●	● 3)			38	644 x 270 x 345	25.35 x 10.65 x 13.60	
	740	820	●	●							
	900	1000	●	●							
D4+	1190	1190	●	●				55	740 x 270 x 363	29.15 x 10.65 x 14.30	
D5	900	900			●	●		110	1050 x 510 x 410	41.35 x 20.10 x 16.15	
	1200	1200	●	●							
	1500	1500	●	●	●	●					
	2000	2000	●	●	● 1)	● 1)					
D6	1900	1900					●	180	1750 x 460 x 410	68.90 x 18.15 x 16.15	
	2050	2050		●	●	●					
	2500	2500	●	●	●	●					
	3000	3000	●	●	●	●					
D7	2050	2050						315	1750 x 760 x 570	68.90 x 29.95 x 22.45	
	2600	2600									● 2)
	3300	3300	●	●	●	●	●				● 2)
	4000	4000	●	●	●	●	●				
	4800	4800			●	●	●				
	5200	5200	●	●							

● 1) only available as 2-Q drive

● 2) on request

● 3) 600V
2-Q -> 290 A / 590 A
4-Q -> 320 A / 650 A



D1, D2



D3



D4



D4+



D5



D6



D7

Current ratings

The current ratings for the DCS800 with 50 Hz and 60 Hz supplies are given below. The symbols are described below the table. The characteristics are based on an ambient temperature of max. 40°C and an elevation of max. 1000 m a.s.l.

Unit type 2-Q converters	P _{out} ③			Unit type 4-Q converters	P _{out} ③			int. field current [A]	Fan volt. [V _{dc}]	Air volume [m³/h]	P _{Loss} [kW]	④	Frame size
	I _{dc} [A]	[kW]	[kW]		I _{dc} [A]	[kW]	[kW]						
400 V / 500 V / 525 V													
DCS800-S01-0020-04/05	20	9	12	DCS800-S02-0025-04/05	25	10	13	6	without fan	300	0.11		D1
DCS800-S01-0045-04/05	45	21	26	DCS800-S02-0050-04/05	50	21	26	6		300	0.17		D1
DCS800-S01-0065-04/05	65	30	38	DCS800-S02-0075-04/05	75	31	39	6		300	0.22		D1
DCS800-S01-0090-04/05	90	42	52	DCS800-S02-0100-04/05	100	42	52	6		300	0.28		D1
DCS800-S01-0125-04/05	125	58	73	DCS800-S02-0140-04/05	140	58	73	6		300	0.38		D1
DCS800-S01-0180-04/05	180	84	104	DCS800-S02-0200-04/05	200	83	104	15	115/230; 1-ph	300	0.56		D2
DCS800-S01-0230-04/05	230	107	133	DCS800-S02-0260-04/05	260	108	135	15		300	0.73		D2
DCS800-S01-0315-04/05	315	146	183	DCS800-S02-0350-04/05	350	145	182	20		600	0.91		D3
DCS800-S01-0405-04/05	405	188	235	DCS800-S02-0450-04/05	450	187	234	20		600	1.12		D3
DCS800-S01-0470-04/05	470	213	280	DCS800-S02-0520-04/05	520	218	276	20		600	1.32		D3
DCS800-S01-0610-04/05	610	284	354	DCS800-S02-0680-04/05	680	282	354	25		950	1.76		D4
DCS800-S01-0740-04/05	740	344	429	DCS800-S02-0820-04/05	820	340	426	25	230; 1-ph ①	950	2.14		D4
DCS800-S01-0900-04/05	900	490	522	DCS800-S02-1000-04/05	1000	415	520	25		1900	2.68		D4
DCS800-S01-1190-04/05	1190 ⑤	553	690	DCS800-S02-1190-04/05	1190 ⑤	553	690	25 ②		800	5.00	●	D4+
DCS800-S01-1200-04/05	1200	558	696	DCS800-S02-1200-04/05	1200	498	624	25 ②	230; 1-ph	800	5.10	●	D5
DCS800-S01-1500-04/05	1500	698	870	DCS800-S02-1500-04/05	1500	623	780	25 ②		800	5.30	●	D5
DCS800-S01-2000-04/05	2000	930	1160	DCS800-S02-2000-04/05	2000	830	1040	25 ②		800	6.60	●	D5
DCS800-S01-2050-05	2050	953	1189	DCS800-S02-2050-05	2050	851	1066	-	400; 3-ph; 50 Hz	1600	8.00	●	D6
DCS800-S01-2500-04/05	2500	1163	1450	DCS800-S02-2500-04/05	2500	1038	1300	-	525; 3-ph; 50 Hz	1600	9.00	●	D6
DCS800-S01-3000-04/05	3000	1395	1740	DCS800-S02-3000-04/05	3000	1245	1560	-	460; 3-ph; 60 Hz	1600	11.10	●	D6
DCS800-S01-3300-04/05	3300	1535	1914	DCS800-S02-3300-04/05	3300	1370	1716	-		4200	11.70	●	D7
DCS800-S01-4000-04/05	4000	1860	2320	DCS800-S02-4000-04/05	4000	1660	2080	-	400; 3-ph; 50 Hz	4200	13.00	●	D7
DCS800-S01-5200-04/05	5200	2418	3016	DCS800-S02-5200-04/05	5200	2158	2704	-	460; 3-ph; 60 Hz	4200	19.00	●	D7
600 V / 690 V													
DCS800-S01-0290-06	290	203		DCS800-S02-0320-06	320	200		-	115/230; 1-ph	600	0.91	●	D3
DCS800-S01-0590-06	590	413		DCS800-S02-0650-06	650	405		-	230; 1-ph	950	1.86	●	D4
DCS800-S01-0900-06/07	900	630	720	DCS800-S02-0900-06/07	900	563	648	25 ②		800	5.10	●	D5
DCS800-S01-1500-06/07	1500	1050	1200	DCS800-S02-1500-06/07	1500	938	1080	25 ②	230; 1-ph	800	6.30	●	D5
DCS800-S01-2000-06/07	2000	1400	1600					25 ②		800	8.10	●	D5
DCS800-S01-2050-06/07	2050	1435	1640	DCS800-S02-2050-06/07	2050	1281	1476	-	400; 3-ph; 50 Hz	1600	9.20	●	D6
DCS800-S01-2500-06/07	2500	1750	2000	DCS800-S02-2500-06/07	2500	1563	1800	-	525; 3-ph; 50 Hz	1600	10.20	●	D6
DCS800-S01-3000-06/07	3000	2100	2400	DCS800-S02-3000-06/07	3000	1875	2160	-	460; 3-ph; 60 Hz	1600	12.20	●	D6
DCS800-S01-3300-06/07	3300	2310	2640	DCS800-S02-3300-06/07	3300	2063	2376	-		4200	13.10	●	D7
DCS800-S01-4000-06/07	4000	2800	3200	DCS800-S02-4000-06/07	4000	2500	2880	-	400; 3-ph; 50 Hz	4200	15.10	●	D7
DCS800-S01-4800-06/07	4800	3360	3840	DCS800-S02-4800-06/07	4800	3000	3456	-	460; 3-ph; 60 Hz	4200	19.50	●	D7
800 V													
		800V				800V							
DCS800-S01-1900-08	1900	1739		DCS800-S02-1900-08	1900	1558		-	400; 3-ph; 50 Hz	1600	9.00	●	D6
DCS800-S01-2500-08	2500	2288		DCS800-S02-2500-08	2500	2050		-	525; 3-ph; 50 Hz	1600	10.70	●	D6
DCS800-S01-3000-08	3000	2745		DCS800-S02-3000-08	3000	2460		-	460; 3-ph; 60 Hz	1600	12.70	●	D6
DCS800-S01-3300-08	3300	3020		DCS800-S02-3300-08	3300	2706		-		4200	13.40	●	D7
DCS800-S01-4000-08	4000	3660		DCS800-S02-4000-08	4000	3280		-	400; 3-ph; 50 Hz	4200	15.60	●	D7
DCS800-S01-4800-08	4800	4392		DCS800-S02-4800-08	4800	3936		-	460; 3-ph; 60 Hz	4200	20.00	●	D7
990 V													
		990V				990V							
DCS800-S01-2050-10	2050	2378		DCS800-S02-2050-09	2050	2132		-		4200	9.70	●	D7
DCS800-S01-2600-10	2600	3016		DCS800-S02-2600-09	2600	2704		-	400; 3-ph; 50 Hz	4200	12.10	●	D7
DCS800-S01-3300-10	3300	3828		DCS800-S02-3300-09	3300	3432		-	460; 3-ph; 60 Hz	4200	16.60	●	D7
DCS800-S01-4000-10	4000	4640		DCS800-S02-4000-09	4000	4160		-		4200	20.20	●	D7
1200 V													
	Data on request												

① with plus code 115 V selectable

② FEX425 internal field exciter as option; three-phase or single phase, separate supply max. 500 V_{AC}

③ ratings for rated input voltage -10%

④ SDCS-DSL-4 board as standard

⑤ Continuous rating is 1190 A_{DC} for 35°C and 1140 A_{DC} for 40°C ambient temperature

$$I_{AC\ input} = I_{DC\ out} * 0.82$$

Environmental conditions

System connection	
Voltage, 3-phase:	230 to 1000 V acc. to IEC 60038
Voltage deviation:	±10% continuous; ±15% short-time *
Rated frequency:	50 Hz or 60 Hz
Static frequency deviation:	50 Hz ± 2%; 60 Hz ± 2%
Dynamic: frequency range:	50 Hz: ± 5 Hz; 60 Hz: ± 5 Hz
df/dt:	17% / s
* = de 0.5 a 30 cycles.	
Please note: Special consideration must be taken for voltage deviation in regenerative mode.	
Degree of protection	
Converter module and options (line chokes, fuse holder, field supply unit, etc.):	IP 00
Enclosed converters:	IP 20/21/31/41/54
Paint finish	
Converter module:	RAL 9002
Enclosed converter:	light grey RAL 7035

Sound pressure level

Size	Sound pressure level L _p (1 m distance)		Vibraciones
	as module	enclosed conv.	as module
D1	55 dBA	68 dBA	
D2	55 dBA	72 dBA	
D3	60 dBA	78 dBA	0,5 g, 5...55 Hz
D4	66...70 dBA, depending on fan	77 dBA	
D5	73 dBA	78 dBA	1 mm, 2...9 Hz
D6	75 dBA	73 dBA	0,3 g, 9...200 Hz
D7	82 dBA	80 dBA	

Environmental limit values	
Permissible cooling air temperat.	
- at converter module air inlet:	0 to +55°C
with rated DC current:	0 to +40°C
with different DC current:	+30 to +55°C
- Options:	0 to +40°C
Relative humidity (at 5...+40°C):	5 to 95%, no condensation
Relative humidity (at 0...+5°C):	5 to 50%, no condensation
Change of the ambient temp.:	< 0,5°C / minute
Storage temperature:	-40 to +55°C
Transport temperature:	-40 to +70°C
Pollution degree (IEC 60664-1, IEC 60439-1):	2
Site elevation	
<1000 m above M.S.L.:	100%, without current reduction
>1000 m above M.S.L.:	with current reduction

North American Standards

In North America the system components fulfil the requirements of the table below.

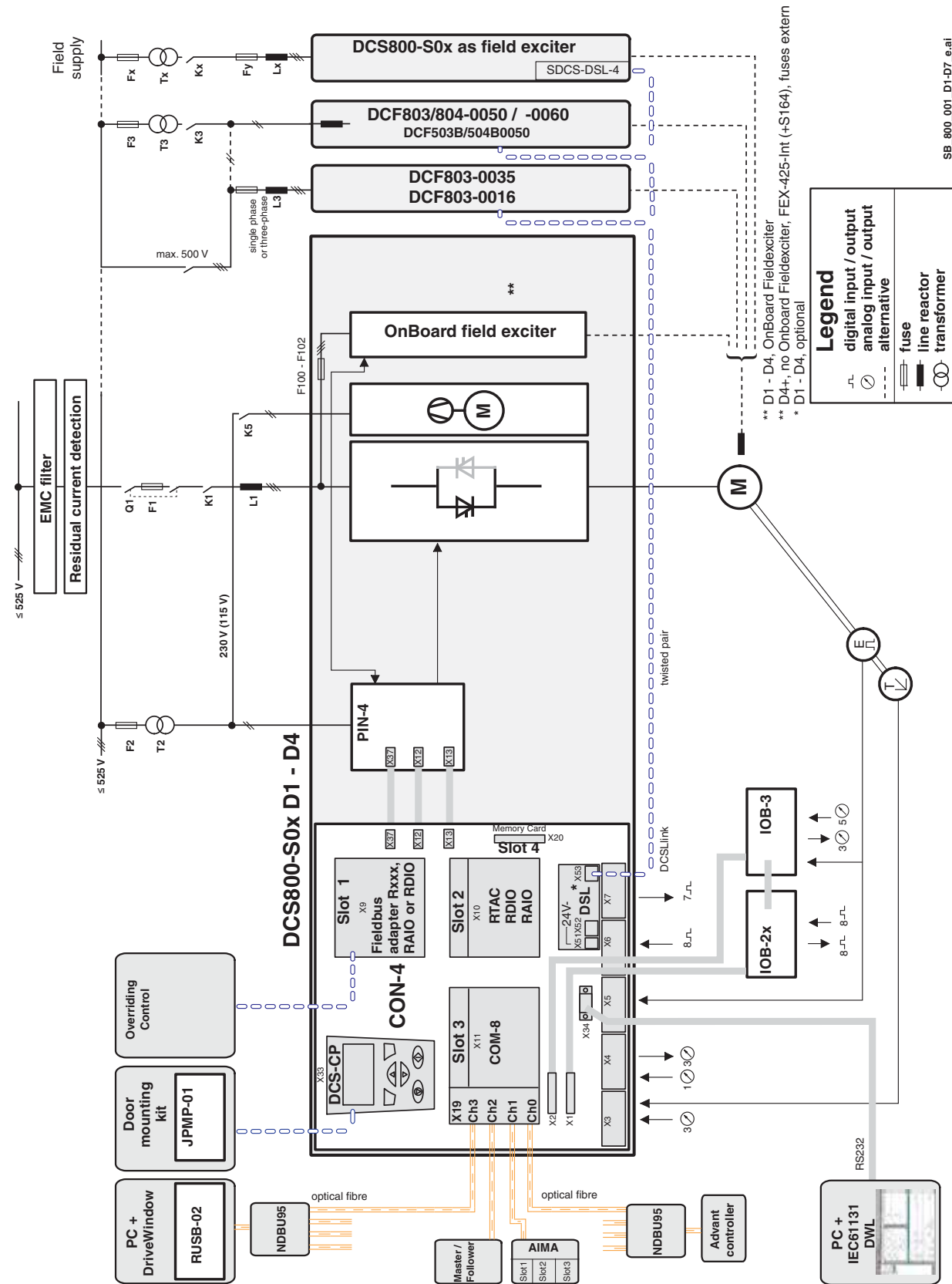
Rated supply voltage	Standards	
	Converter module	Enclosed converter
to 600 V	UL 508 C Power Conversion Equipment CSA C 22.2 No. 14-95 Industrial Control Equipment, Industrial Products Available for converter modules including field exciter units. Types with UL mark: • see UL Listing www.ul.com / certificate no. E196914 • or on request	UL/CSA types: on request

Regulatory compliance

The converter module and enclosed converter components are designed for use in industrial environments. In EEA countries, the components fulfil the requirements of the EU directives, see table below.

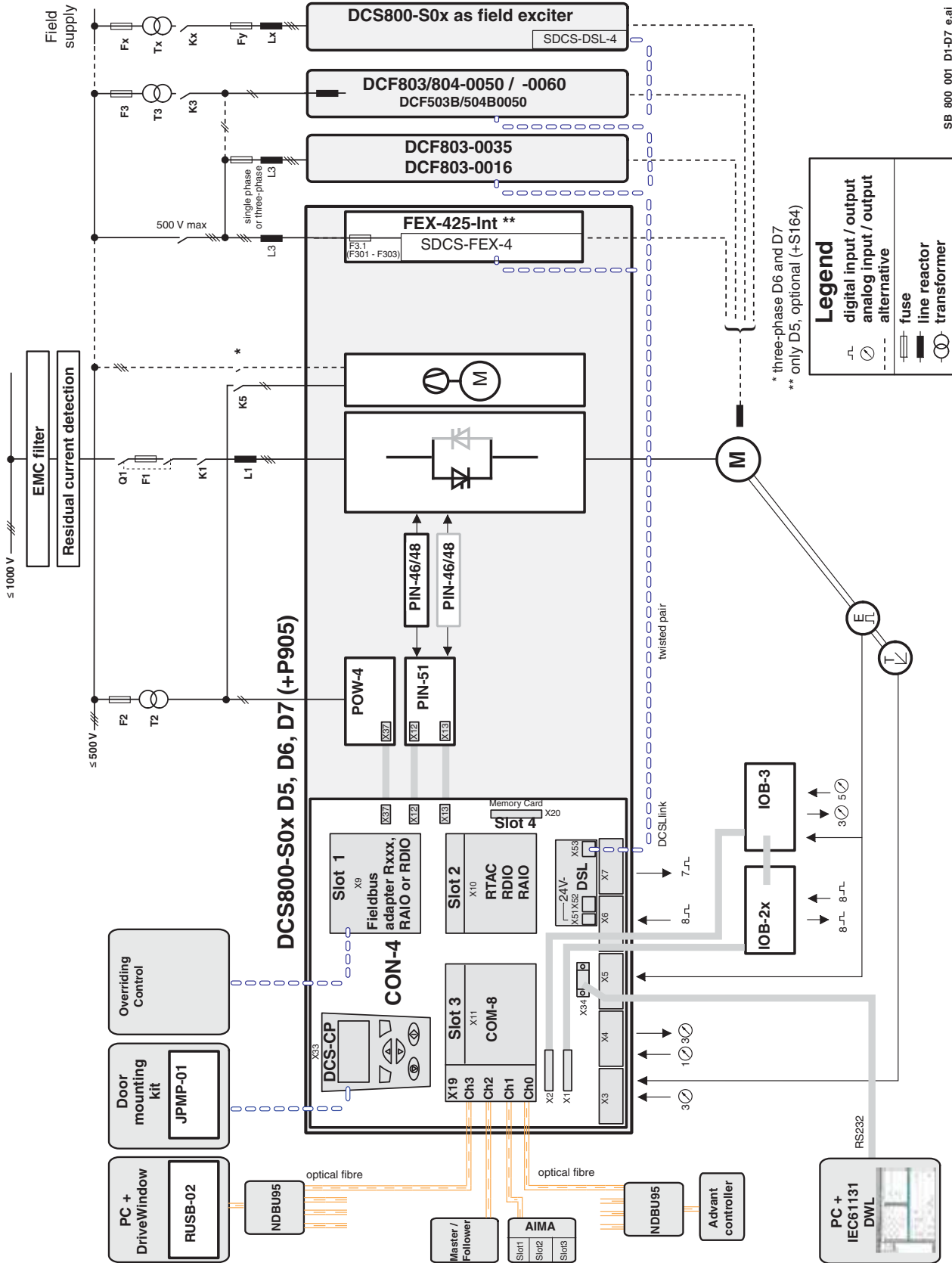
European union directive	Manufacturer's assurance	Harmonized standards	
		Converter module	Enclosed converter
Machinery Directive 98/37/EEC 93/68/EEC	Declaration of Incorporation	EN 60204-1 [IEC 60204-1]	EN 60204-1 [IEC 60204-1]
Low Voltage Directive 73/23/EEC 93/68/EEC	Declaration of Conformity	EN 60146-1-1 [IEC 60146-1-1] EN 61800-5-1 (EN 50178 [IEC --]) véase también IEC 60664	EN 60204-1 [IEC 60204-1] EN 61800-5-1 EN 60439-1 [IEC 60439-1]
EMC Directive 89/336/EEC 93/68/EEC	Declaration of Conformity (Provided that all installation instructions concerning cable selection, cabling and EMC filters or dedicated transformer are followed.)	EN 61800-3 ① [IEC 61800-3] ① in accordance with 3ADW 000 032	EN 61800-3 ① [IEC 61800-3] ① in accordance with 3ADW 000 032/3ADW 000 091

Components overview of converter size D1...D4 (400...525 V)



SB_800_001_D1-D7_e.ai

Components overview of converter size D5...D7



SB_800_001_D1-D7_e.ai

Dimensioning DriveSize

Quality dimensioning

DriveSize is a PC program for helping the user to select an optimal converter and options, especially in those cases where a straightforward selection from a catalogue is not possible. Documents about the dimensioning based on actual load.

The default values make DriveSize simple to use, but the user is provided with many options for drive selection. The short-cut keys make drive selection easy while still honouring the relatively complicated rules.

A manual selection mode is also supported.

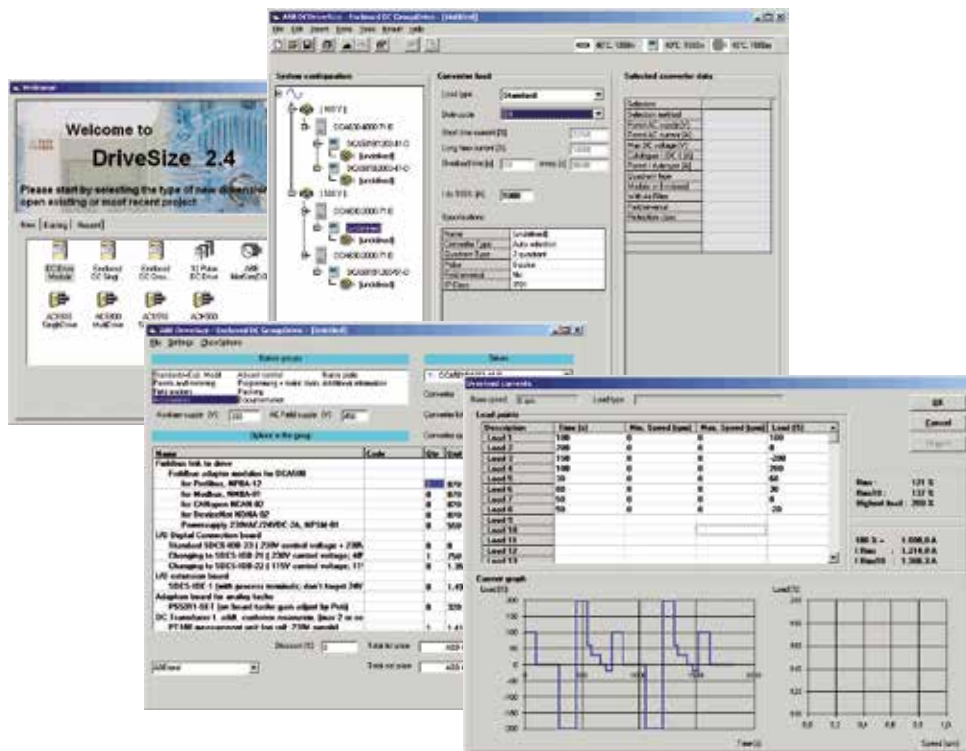
DriveSize is currently used by more than 1000 engineers globally.

DriveSize is for drive system components

- DCS converter modules
- DCS enclosed converters
- Group drives (line-ups)
- Drive options

DriveSize features

- Select an drive unit, incoming unit
- Calculate duty load cycles for converters
- Supply dimensioning results in graphical and numerical format
- Print and save the results



Easy commissioning

General

Easy-to-use saves customer time consumption and keeps required training low. Easy commissioning is based on three columns.

- DCS800 is equipped with macros to cover the most frequent parameter settings.
- Assistance guide through required parameter setting during commissioning and all auto-tunings.
- Adaptive programming provides a very flexible set of function blocks and solves problems during commissioning.

DCS800 macros

DCS800 is equipped with seven different macros to cover the most frequent parameter settings. Macros are pre-programmed parameter sub-sets. During start-up, the drive can be configured easily without changing individual parameters. The functions of all inputs and several outputs and of allocations in the control structure are influenced by the selection of a macro. The means, whether the drive is speed-controlled or torque-controlled, whether supplementary references are processed, which actual values are available at the analog outputs, which reference value sources are used etc. is already defined in the macro.

Terminal allocation by macros									
Terminal	Signal	Factory	Standard	Manual / constant speed	Hand / auto	Hand / motor pot	Motor pot	Torque control	
X3:	1	:90...270 V AITAC-							
	2	:30...90 V AITAC-							
	3	:8...30 V AITAC-							
	4	:AITAC+							
	5	:AI1-		Speed reference	Speed reference	Speed reference	Speed reference		
	6	:AI1+						Torque reference	
	7	:AI2-		Limite de par					
	8	:AI2+							
	9	:AI3-							
	10	:AI3+							
X4:	1	:AI4-							
	2	:AI4+							
	3	:0 V							
	4	:+10 V							
	5	:-10 V							
	6	:0 V							
	7	:AO1		Motor speed	Motor speed	Motor speed	Motor speed	Motor speed	
	8	:AO2		Actual armat. volt.	Actual motor curr.	Actual motor curr.	Actual motor curr.	Actual armat. volt.	
	9	:IACT	Actual current	Actual current	Actual current	Actual current	Actual current	Actual current	
	10	:0 V							
X5:	1	:Ch A+							
	2	:Ch A-							
	3	:Ch B+							
	4	:Ch B-							
	5	:Ch Z+							
	6	:Ch Z-							
	7	:0 V							
	8	:Sense 0 V							
	9	:Power out +							
	10	:Sense power out +							
X6:	1	:DI1	Converter fan ack.	Jog1	Jog1	StartStop	Motor pot up	Direction	Off2 (coast stop)
	2	:DI2	Motor fan ack.	Jog2	Jog2	HandAuto	Motor pot down	Motor pot up	Torque select
	3	:DI3	Main contact. ack.	External fault	Direction	Direction	Direction	Motor pot down	External fault
	4	:DI4	Off2 (coast stop)	External alarm	Parameter select	Speed ref. select	Speed ref. select	Motor pot minimum	
	5	:DI5	E-Stop	E-Stop	E-Stop	E-Stop	E-Stop	E-Stop	E-Stop
	6	:DI6	Reset	Reset	Reset	Reset	Reset	Reset	Reset
	7	:DI7	OnOff1	OnOff1	On Start pulse	OnOff1	On Start pulse	OnOff1	OnOff1
	8	:DI8	StartStop	StartStop	Off1 Stop pulse NC	Off1 Stop pulse NC	Off1 Stop pulse NC	StartStop	StartStop
	9	:+24 V							
	10	:0 V							
X7:	1	:DO1	Fans On cmd.	ReadyRun	ReadyOn	ReadyOn	ReadyOn	ReadyRun	ReadyRun
	2	:DO2	Field excit. On cmd.	ReadyRef (running)	ReadyRef (running)	ReadyRef (running)	ReadyRef (running)	Above limit	ReadyRef (running)
	3	:DO3	Main contact. On cmd.	Fault or alarm	Tripped (fault)	Tripped (fault)	Tripped (fault)	Fault or alarm	Fault or alarm
	4	:DO4		Zero speed	Zero speed	Zero speed	Zero speed	Zero speed	Zero speed
	5	:DO5		Above limit	Above limit	Above limit	Above limit	At setpoint	DC-breaker trip cmd.
	6	:DO6							
	7	:DO7							
	8	:0 V							
X96:	1	:DO8 Relay	Main contact. On cmd.						
	2	:ppal	ppal						
Serial communication			Speed reference			Speed reference			

Start-up assistant

Faster and easier commissioning

The Start-up assistant serves in DCS800 DC Drives. It guides you actively through the commissioning procedure either by the control panel or ABB PC tools. It is multilingual, requests data with clear and plain text messages, and sets the required parameters to your needs. It also comes with an online info system with step-by-step reference to printed manuals.

On-line info system

To make it easier and more informative, there is an on-line info system available at each step, helping to set the correct values for each parameter and troubleshoot the problems.

Start-up assistant features

- Easy and fast commissioning procedure
- Intelligent guide to assist you through the commissioning
- Your own language
- On-line info system always available
- Auto detection of connected hardware

The DCS800 DC drive offers you all this as standard features.



Adaptive programming

Optimal adaptability

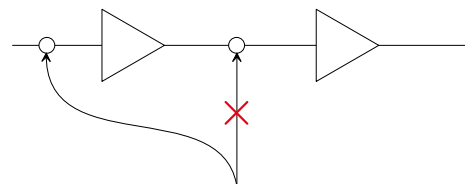
- Small PLC inside.
- Program your drive on-site during commissioning.
- Create your own I/O signals, modify speed or torque reference, chain or set a timer.
- Do it without any additional hardware or software.
- As simple as setting a parameter.
- Access to any signal or control bit.

There is also a DWL AP PC tool available for graphical display of Adaptive Programming.

Adaptive programming features

- 16 programmable function blocks
- Available functions:
 - Logical: AND, OR and XOR
 - Mathematical: add, mul, div, abs, max and min
 - Other: timer, switch, comparator, filter, SR, PI and user-defined warnings or faults
- Freely definable execution order
- Easy documentation

The DCS800 DC drive offers you all this as standard features.



DCS800 firmware

DCS800 basic firmware

DCS800 firmware includes the basic function of speed control, armature current, field current and motor voltage. The flexible design for command location enables field bus control or master-follower control or control from hardware signals as well as a mixed structure. The design of drive logic enables a drive reaction defined by Profibus standard but can also be configured to adapt classic command structures.

The firmware interface for several fieldbuses and module bus is included. All parameters can be accessed by the serial communication or by IEC 61131 or adaptive programming. Five macros are pre-defined and two user macros can be configured by the customer.

Functions of basic firmware

- Different speed ramp function
- Speed control
- Torque control
- Armature current control
- Field current control
- Automatic field weakening
- E-stop function according to Profibus standard
- Dual field control
- Mechanical brake control
- DC breaker control
- Interface for fieldbus and module bus
- Programmable digital and analogue outputs
- Master-Follower bus
- 16 blocks Adaptive Program
- Interface for IEC 61131 programming
- 12-pulse function - parallel, serial, sequential
- 3-phase field exciter operation
- Converter protection (temperature, voltage,...)

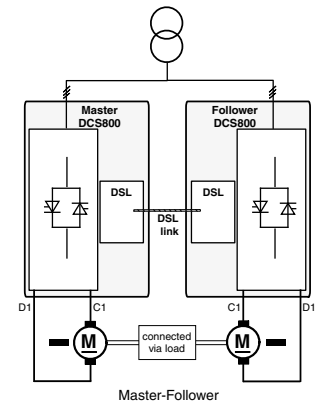
Motor protections

- Stall protections
- Thermal motor model
- 2 channel motor temperature measurement PTC or PT100
- Klixon supervision
- Speed feedback error
- Over speed
- Armature current ripple
- Armature over current
- Minimum field current

Master-Follower applications

Drives connected in Master-Follower application

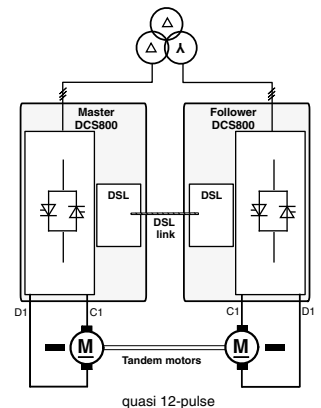
If motors run with the same speed / torque connected to the same shaft or gearbox are called MASTER - FOLLOWER.



Quasi 12-pulse Master-Follower configuration

The converters are fed by a 12-pulse transformer with separated secondary windings whose phase positions differ by 30°el.

This configuration delivers the same advantages concerning harmonics to the network as a standard 12-pulse application (see next item), but no T-reactor is needed.

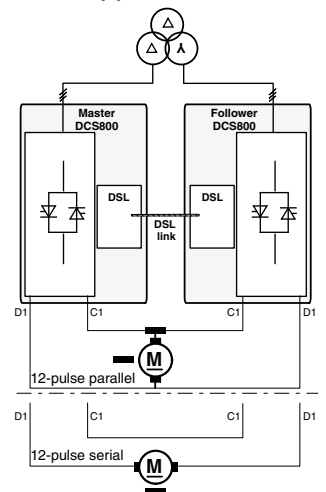


Typical configuration for high power drives connected in 12-pulse parallel, serial or sequential application

12-pulse systems are used for reduced line harmonics, reduced motor noise level, enlarged output current or voltage of converter system. Only the 11th and 13th, the 23rd and 25th, the 35th a.s.o. are existing. The harmonics on the DC side are reduced too, which gives a higher efficiency.

It is not possible to connect two 12-pulse systems (2 converters, T-reactor and 1 motor) to one 12-pulse transformer.

For more information, please see manual 12-pulse operation.



Plug-in options

DCS800 - S01 - 0025 - 04 + L508

DCS800 Control Panel

The DCS800 Control Panel features three lines of numeric display. The panel can be used to control the drive, set the parameter values or copy them from a drive to another one. It comes with every DCS800.

plus code

- +0J400 If no control panel is required
- +J404 Panel mounting kit ACS/H-CP-EXT plus cable

Plug-in fieldbus module

The plug-in fieldbus options bring connectivity to major automation systems. A single twisted pair avoids large amounts of conventional cabling, thereby reducing cost and increasing system reliability. The fieldbus adapter must be located in Slot1.

For plus codes see Fieldbus control (page 21)

I/O extension option module

This plug-in option offers two additional relay outputs. They can be used, for example, in a Master-Follower application for interlocking functions. All the relays can be programmed by parameters. Alternatively, the I/O options can be used to control any external components in the system.

plus code

- +L501 RDIO-01 Digital extension module 3xDI, 2xDO
- +L500 RAIIO-01 Analog extension module 2xAI, 2xAO

Fast optical DDCS communication module

DCS800 provides an interface SDCS-COM-8 fast serial communication:

- Master channel ModuleBus to AC800 M
- I/O channel to AIMA-01 board
- Master-Follower DDCS channel
- Tools channel e.g DriveWindow, remote diagnostic NETA, as well as the CDP 312 from ACS800 range can be connected on this board
- The board must be located in Slot3.

plus code

- +L508 Module bus 10 Mbd (SDCS-COM-81)
- +L509 NxxA fieldbus adapter 5 Mbd (SDCS-COM-82)

Drive-specific serial communication board

The SDCS-DSL-4 board provides the serial communication for:

- Drive-to-drive
- Drive to external field exciters
- 12-pulse applications
- Master-Follower

plus code

- +S199 SDCS-DSL communication board



External field supply

General data

- Currents from 0.3 to 520 A
- Minimum field current monitor
- Integrated external field power converter or completely separate switchgear cubicle
- single-phase or 3-phase model
- Controlled by serial communication via DSLLink

All field converters are controlled by the armature converter via a serial interface (SDCS-DSL-4 board). This interface serves to parameterize, control and diagnose the field converter and thus provides exact control.

We recommend integrating an autotransformer in the field power converter's supply circuit to adjust the AC input voltage to the field voltage and for reducing the voltage ripple in the field circuit for single-phase operation.

Field converter types

DCF803-0035 and DCF803-0016

- Half-controlled thyristor/diode bridge (1-Q)
- Three-phase or single-phase operation
- Microprocessor control, with the electronic system being supplied by the armature circuit converter (24 V).
- Construction and components have been designed for an insulation voltage of 600 V_{AC}.
- Fast-response excitation is possible with an appropriate voltage reserve; de-excitation takes place by field time constant.
- Field Output voltage U_A (single-phase operation):



$$U_A \leq U_V * \left(\frac{100\% + TOL}{100\%} \right) * 0.9$$

TOL = tolerance of line voltage in %
U_V = Line voltage, U_A = Field voltage

- Recommendation (single-phase operation):
U_A = 0.6 to 0.8 * U_V or U_V = 1.25 to 1.7 * U_A
- Field Output voltage U_A (three-phase operation):

$$U_A \leq U_V * \left(\frac{100\% + TOL}{100\%} \right) * 1.35$$

TOL = tolerance of line voltage in %
U_V = Line voltage, U_A = Field voltage

Note: Calculation valid also for FEX-425 internal

Table of field converter units

Unit type	Output current I _{cc}	AC field supply voltage	auxiliary supply voltage	Remarks
DCF803-0016	0,3...16 A	110 V -15 %...500 V / 1-ph +10 % single-phase or three-phase	24 V _{DC} 200 mA	external fuse L3 line choke for 3-phase operation use: ND401 ≤ 16 A ND402 > 16 A
DCF803-0035	0,3...35 A	110 V -15 %...500 V / 1-ph +10 % single-phase or three-phase		for 1-phase operation use: ND30 ≤ 16 A ND402 > 16 A
DCF803-0050	0,3...50 A	110 V -15 %...500 V / 1-ph +10 %	115 or 230 V	if necessary via matching autotransformer; fuse external; Dimensions HxWxD: 370x125x342 [mm]
DCF804-0050	0,3...50 A	110 V -15 %...500 V / 1-ph +10 %		
DCS800-S0x-xxxx-05	see table on page 7	200 V...500 V / 3-ph		additional hardware components (DCF 506)

Current reduction see also Environmental conditions in Hardware manual

DCF803-0050

- Single-phase power stack
- Half-controlled thyristor/diode bridge (1-Q).
- Built-in line chokes.
- Microprocessor control with the control electronics being supplied separately (115...230 V/1-ph).
- Construction and components have been designed for an insulation voltage of 690 V_{AC}.
- Field output voltage U_A:



$$U_A \leq U_V * \left(\frac{100\% + TOL}{100\%} \right) * 0.9$$

TOL = tolerance of line voltage in %
 U_V = Line voltage, U_A = Field voltage

- Recommendation:
 U_A = 0.6 to 0.8 * U_V or U_V = 1.25 to 1.7 * U_A

DCF804-0050

- Single-phase power stack
- Fully-controlled antiparallel thyristor bridges (4-Q)
- This unit offers field reversal as well as fast-response excitation / de-excitation.
- In the steady-state condition, the fully-controlled bridge runs in half-controlled mode so as to keep the voltage ripple as low as possible. With a quickly alternating field current, the bridge runs in fully-controlled mode.
- Same design as DCF803-0050.
- Built-in line chokes.

Autotransformer for single-phase field supply.

for field current I _F	Autotransformer type 50/60 Hz	DCF803-0016	DCF803-0050
		DCF803-0035	DCF804-0050
		FEX-425 Int	
	U _{prim.} = ≤ 500 V		
≤ 6 A	T 3.01	x **	x
≤ 12 A	T 3.02	x **	x
≤ 16 A	T 3.03	x **	x
≤ 30 A	T 3.04	x *	x
≤ 50 A	T 3.05		x
	U _{prim.} = ≤ 600 V		
≤ 6 A	T 3.11	x **	x
≤ 12 A	T 3.12	x **	x
≤ 16 A	T 3.13	x **	x
	U _{prim.} = ≤ 690 V		
≤ 30 A	T 3.14		x
≤ 50 A	T 3.15		x

* three-phase operation recommended ** requires line choke ND 30 or ND402

DCS800-S0

This converter can also be used for field exciter operation, an additional overvoltage protection unit is required. It provides field currents from 20 A up to 520 A unipolar (2-Q) and bipolar (4-Q) for field reversal function.



- Field output voltage U_A respectively U_{dmax 2-Q} : see table on page 5
- Recommendation:
 U_A = 0.5 to 1.1 * U_V or U_V = 0.9 to 2.0 * U_A
- The large field supply converters DCS800-S01/S02 need a separate active overvoltage protection unit DCF506 for protecting the power part against inadmissibly high voltages. The overvoltage protection unit DCF506 is suitable for 2-Q converters DCS800-S01 and for 4-Q converters DCS800-S02.

Assignment of field supply converter to overvoltage protection unit

Field supply converter for motor fields	Overvoltage protection
DCS80x-0020-51	
...	DCF506-0140-51
DCS80x-0140-51	
DCS80x-0200-51	
...	DCF506-0520-51
DCS80x-0520-51 *	

* max field current 520 A



DCF506-140-51, without cover

Fuse connections

Recommended fuse connections see tables below.

Semiconductor type F1 fuses and fuse holders for AC and DC power lines (DCS800-S01 / DCS800-S02)

The converter units are subdivided into two groups:

- Unit sizes D1, D2, D3 and D4 with rated currents up to 1000 A require external line fuses.
- In unit sizes D5, D6 and D7 with rated currents of 900 A to 5200 A, the semiconductor fuses are installed internally (no additional external semiconductor fuses are needed).

The table assigns the AC fuse types to the converter types. In case the converter should be equipped with DC fuses according to the hints use the same type of fuse used on the AC side now in the plus and minus line (only for sizes D1...D4). Blade type fuses are used for all the converters of construction type D1...D4 except the converters (610 A, 680 A, 740 A, 820 A, 900 A, 1000 A)

Type of converter		Type	Fuse holder	Design fig.
2-Q Converter	4-Q Converter			
DCS800-S01-0020-04/05	DCS800-S02-0025-04/05	50A 660V UR	OFAX 00 S3L	1
DCS800-S01-0045-04/05	DCS800-S02-0050-04/05	80A 660V UR	OFAX 00 S3L	1
DCS800-S01-0065-04/05	DCS800-S02-0075-04/05	125A 660V UR	OFAX 00 S3L	1
DCS800-S01-0090-04/05	DCS800-S02-0100-04/05	125A 660V UR	OFAX 00 S3L	1
DCS800-S01-0125-04/05	DCS800-S02-0140-04/05	200A 660V UR	OFAX 1 S3	2
DCS800-S01-0180-04/05	DCS800-S02-0200-04/05	250A 660V UR	OFAX 1 S3	2
DCS800-S01-0230-04/05	DCS800-S02-0260-04/05	315A 660V UR	OFAX 2 S3	2
DCS800-S01-0315-04/05	DCS800-S02-0350-04/05	500A 660V UR	OFAX 3 S3	3
DCS800-S01-0405-04/05	DCS800-S02-0450-04/05	700A 660V UR	OFAX 3 S3	4
DCS800-S01-0470-04/05	DCS800-S02-0520-04/05	700A 660V UR	OFAX 3 S3	4
DCS800-S01-0610-04/05	DCS800-S02-0680-04/05	900A 660V UR	3x 170H 3006	5
DCS800-S01-0740-04/05	DCS800-S02-0820-04/05	900A 660V UR	3x 170H 3006	5
DCS800-S01-0900-04/05	DCS800-S02-1000-04/05	1250A 660V UR	3x 170H 3006	5
DCS800-S01-0290-06	DCS800-S02-0320-06	500A 660V UR	OFAX 3 S3	3
DCS800-S01-0590-06	DCS800-S02-0650-06	900A 660V UR	3x 170H 3006	5

Fuses and fuse holders (details see Technical Data)



Fig. 1

Fig. 2

Fig. 3

Fig. 4

Fig. 5

Line reactors L1

DCS Type 400V-690V 50/60 Hz 2-Q Converter		Line choke 1% relative voltage drop	Design Fig.	Line choke 4% relative voltage drop	Design Fig.
4-Q Converter					
DCS800-S01-0020-04/05	DCS800-S02-0025-04/05	ND01	1	ND401	4
DCS800-S01-0045-04/05	DCS800-S02-0050-04/05	ND02	1	ND402	4
DCS800-S01-0065-04/05	DCS800-S02-0075-04/05	ND04	1	ND403	5
DCS800-S01-0090-04/05	DCS800-S02-0100-04/05	ND06	1	ND404	5
DCS800-S01-0125-04/05	DCS800-S02-0140-04/05	ND06	1	ND405	5
DCS800-S01-0180-04/05	DCS800-S02-0200-04/05	ND07	2	ND406	5
DCS800-S01-0230-04/05	DCS800-S02-0260-04/05	ND07	2	ND407	5
DCS800-S01-0290-06	DCS800-S02-0320-06	ND08	2	on request	-
DCS800-S01-0315-04/05	DCS800-S02-0350-04/05	ND09	2	ND408	5
DCS800-S01-0405-04/05	DCS800-S02-0450-04/05	ND10	2	ND409	5
DCS800-S01-0590-06	DCS800-S02-0650-06	ND13	3	on request	-
DCS800-S01-0470-04/05	DCS800-S02-0520-04/05	ND10	2	ND410	5
DCS800-S01-0610-04/05	DCS800-S02-0680-04/05	ND12	2	ND411	5
DCS800-S01-0740-04/05	DCS800-S02-0820-04/05	ND13	3	ND412	5
DCS800-S01-0900-04/05	DCS800-S02-1000-04/05	ND13	3	ND413	5
DCS800-S01-0900-06/07	DCS800-S02-0900-06/07	ND13	3	on request	-
DCS800-S01-1190-04/05	DCS800-S02-1190-04/05	ND14	3	on request	-
DCS800-S01-1200-04/05	DCS800-S02-1200-04/05	ND14	3	on request	-
DCS800-S01-1500-04/05/06/07	DCS800-S02-1500-04/05/06/07	ND15	3	on request	-
DCS800-S01-2000-04/05	DCS800-S02-2000-04/05	ND16	3	on request	-
DCS800-S01-2000-06/07		ND16 *	3	on request	-

* with forced cooling



Fig. 1



Fig. 2



Fig. 3



Fig. 4



Fig. 5

IEC 61131 programming

ControlBuilder DCS800

The ControlBuilder is a user-friendly tool based on the IEC 61131-3 standard for programming the DCS800. With the ControlBuilder it is possible to develop - in a fast and easy way - new function e.g. winders, decentralized controls, safety functions, ... directly in the drive.

The ControlBuilder is based on the common IEC 61131 programming. Due to its intuitive Windows based user interface even beginners are able to start programming immediately. Additionally a set of drive specific function blocks eases the programming of the DCS800.

By means of completely supporting all five programming languages of the IEC 61131-3 standard everyone is able to find the right programming environment:

- instruction list IL
- sequential function chart AS
- function block diagram FBD
- structured text ST
- ladder diagram LD
- additionally a free graphical function plan (CFC) is available

The extremely user-friendly online debugging function offers besides single step-, single cycle- and breakpoint mode an event triggered recording tool for variables and signals.

Due to the offline simulation mode it is possible to use the debugging function without connected hardware.

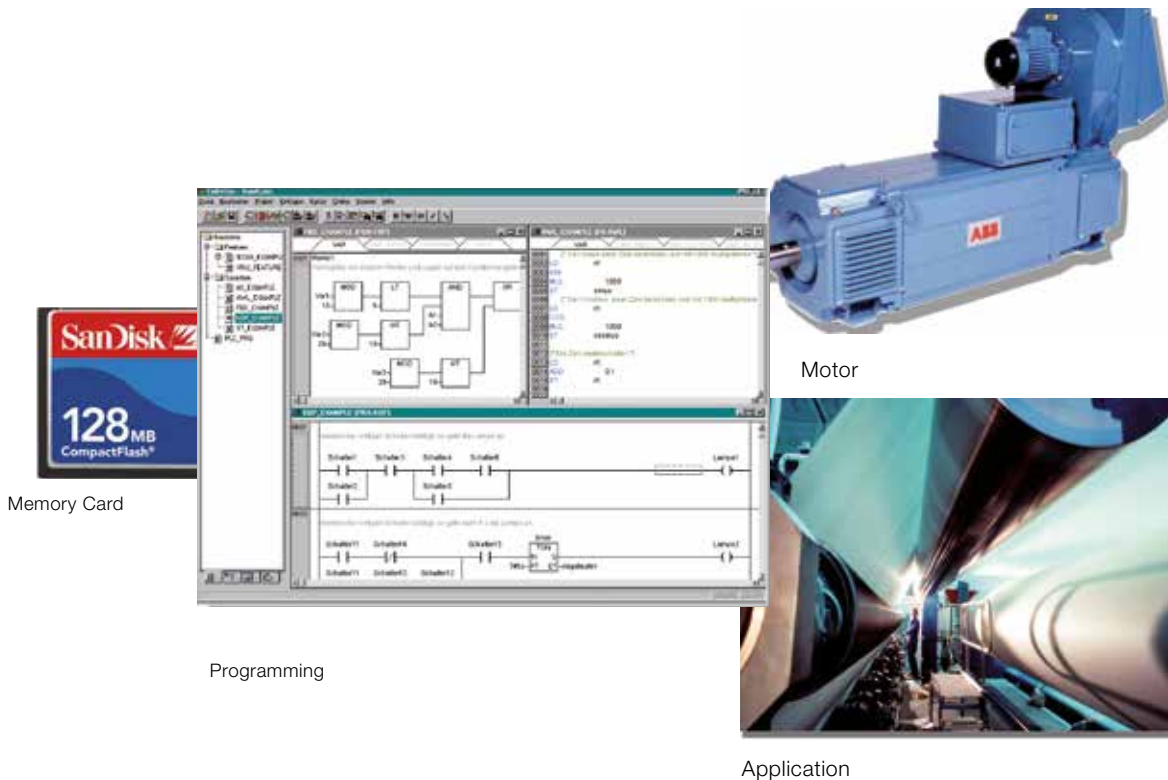
The application program is stored on a compact flash (Memory Card), which is plugged into the drive. Thus it is possible to store the binary code as well as all source codes. Of course protection of the application program with a password is possible.

Advantages of the ControlBuilder DCS800

- Fast and easy adaptation of DCS800 DC Drive to the used application.
- Less spare parts.
- The application, including source code, is always part of the drive and thus can be maintained during the whole live cycle of the machine.
- The source code can be password protected against unauthorized access.

Requirements

- PC with Windows NT, 2000, XP or WIN7
- One free serial port



Fieldbus control

Gateway to your process

DCS800 DC Drives have connectivity to major automation systems. This is achieved with a dedicated gateway concept between the fieldbus systems and ABB drives.

The fieldbus gateway module can easily be mounted inside the drive. As a result of the wide range of fieldbus gateways, your choice of automation system is independent from your decision to use first-class ABB drives.

Manufacturing flexibility

Drive control

The drive control word (16 bit) provides a wide variety of functions from start, stop and reset to ramp generator control. Typical setpoint values like speed, torque and position can be transmitted to the drive with 15 bit accuracy.

Drive monitoring

A set of drive parameters and/or actual signals, like torque, speed, position, current etc., can be selected for cyclic data transfer providing fast data for operators and the manufacturing process.

Drive diagnostics

Accurate and reliable diagnostic information can be obtained via the drive alarm, limit and fault words, reducing the drive downtime and therefore also the downtime of the manufacturing process.

Drive parameter handling

Total integration of the drives in the production process is achieved by single parameter read/write up to complete parameter set-up or download.

Easy to expand

Serial communication simplifies the latest trend of modular machine design enabling the installation to be expanded at a later stage with low effort.

Reduced installation and engineering effort

Cabling

Substituting the large amount of conventional drive control cabling with a single twisted pair reduces costs and increases system reliability.

Design

The use of fieldbus control reduces engineering time at installation due to the modular structure of the hardware and software.

Commissioning and assembly

The modular machine configuration allows pre-commissioning of single machine sections and provides easy and fast assembly of the complete installation.

Currently available fieldbus adapters

	plus code
- PROFIBUS-DP	+K454
- DeviceNet	+K451
- CANopen	+K457
- ControlNet	+K462
- Modbus	+K458
- Ethernet	+K466



DriveWindow Light 2

Start-up and maintenance tool

PC tool for ABB drives

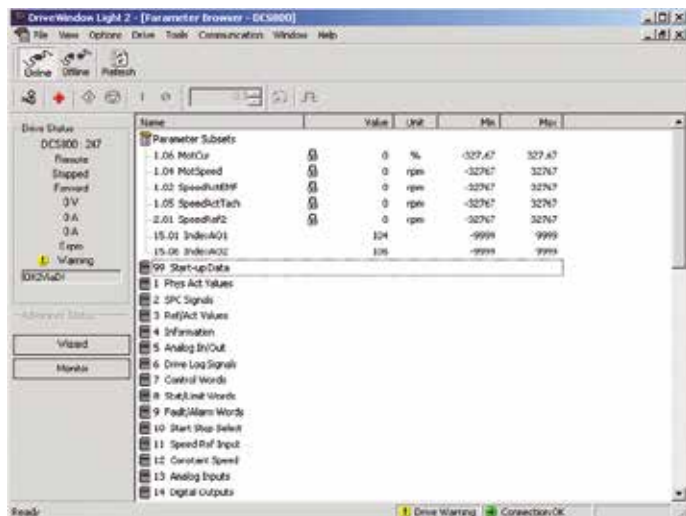
DriveWindow Light 2 is an easy-to-use start-up and maintenance tool for ABB drives. Supported drives are ACS140, ACS160, ACS350, ACH400, DCS400, ACS550, ACH550, DCS800 and ACS800.

Highlights

- Viewing and setting parameters in offline and online mode
- Editing, saving and downloading parameters
- Comparing parameters
- Graphical and numerical signal monitoring
- Drive control
- Start-up assistants
- DWL AP tool for DCS800
- All DCS800 DC drives are equipped with DriveWindow Light

DriveWindow Light requirements

- Windows 98 / NT / 2000 / XP / WIN7
- Free serial port from a PC
- Standard RS232 cable

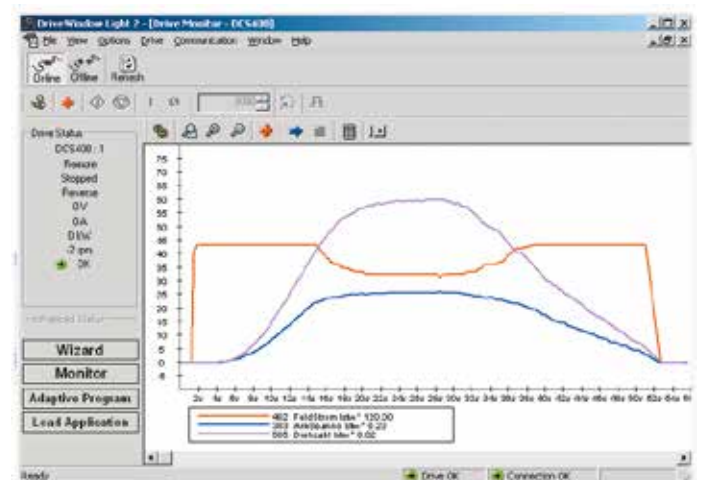


Light software with heavy features

DriveWindow Light offers many functions in an easy-to-use package. It can be used in an offline mode, which enables parameter setting at the office even before going to the actual site. The parameter browser enables viewing, editing and saving of parameters. The parameter comparison feature makes it possible to compare parameter values between the drive and the file. With the parameter subset you can create your own parameter sets. Controlling of the drive is naturally one of the features in DriveWindow Light. Drive status and fault information keeps commissioning time low.

Name	Drive	Drive File
98.03 M1NonCur	11	0
98.11 M1NonFdCur	1	0.3
7.01 ManChgWord	0	6
7.04 UsedHdCur	400	476
7.06 RFE CblWord	2	0
8.01 ManStallWord	300	331
8.02 AuxStallWord	3840	1848
8.05 D1 StallWord	0	18
9.06 AlarmWord1	3	0
10.05 MotFanAck	NotUsed	D12
10.20 ComFanAck	NotUsed	D11
10.21 ManContAck	NotUsed	D13
11.03 Ref1Sel	Alt	SpeedRef2301
15.01 IndexA01	104	0
15.05 ScaleA01	5000	10000
15.06 IndexA02	106	0
16.09 LSH Sel	Extended	Compact
22.01 AccTime1	3	20
22.02 DecTime1	3	25
24.03 Kp0	50	5
24.09 Ts	280	2500
43.05 M1KplmCur	0.08	0.1
43.07 M1TArmCur	14	50
43.08 M1DisconCutLim	81.81	100
43.09 M1ArmL	17.39	0
43.10 M1ArmR	1180	0
44.01 FdChMode	EMF	Fin

With DriveWindow Light, you can monitor up to four signals simultaneously. This can be done in both graphical and numerical format. Any signal can be set to stop the monitoring, from a predefined level.



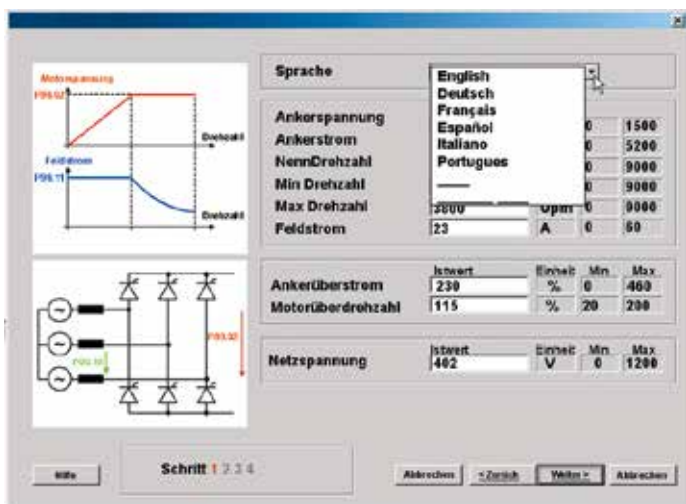
DWL Start-up assistant

DWL Start-up assistant for DCS800 gives important assistance for commissioning by interactive dialog. The commissioning steps are presented in correct sequence and necessary parameters are preselected.

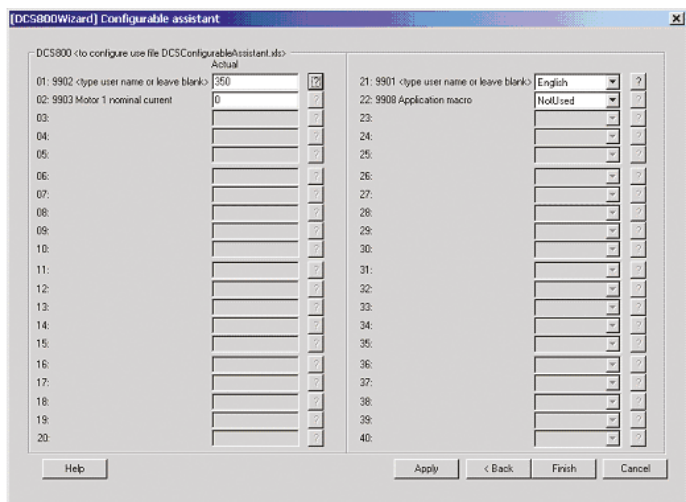
The basic port collects basic motor and connection data and executes controller auto tunings.

The advanced port provides assistance for 12-pulse operation, field reversal, serial communication (fieldbus) and master-follower configuration.

A context-sensitive help function is present during the whole sequence.



One page is freely configurable by the user. An individual commissioning sequence or parameter selection can be setup to application, machine or motor demands.

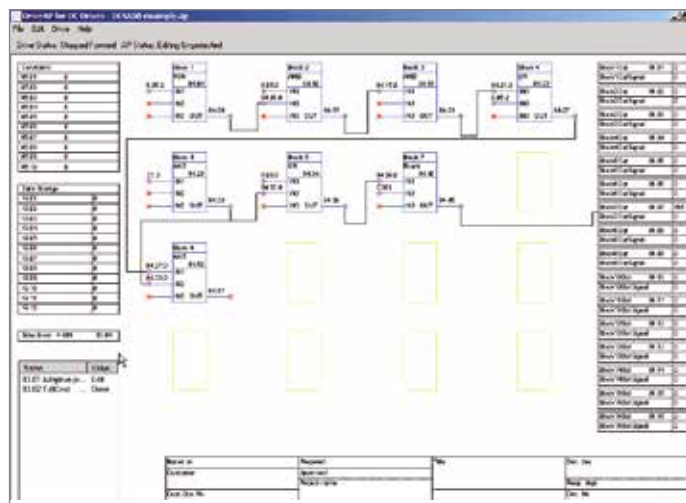


DWL AP tool

DWL AP is a graphical PC tool to create, document, edit and download Adaptive Programs. DWL AP supports Adaptive Programming of DCS800. Adaptive Program contains 16 function blocks and is available in standard firmware. DWL AP offers a clear and easy way to develop, test and document these programs with a PC.

It is a user-friendly tool to modify function blocks and their connections. No special programming skills are required, basic knowledge about block programming is sufficient.

Adaptive Programs are easy to document as hard copies or store as PC files. All related information is saved directly to the drive by parameter.



Start-up, maintenance and integration

DriveWindow 2

Start-up and maintenance tool

ABB's DriveWindow is an advanced, easy-to-use PC software tool for the start-up and maintenance of ABB DCS800 DC Drives. Its host of features and clear, graphical presentation of the operation make it a valuable addition to your system providing information necessary for troubleshooting, maintenance and service, as well as training.

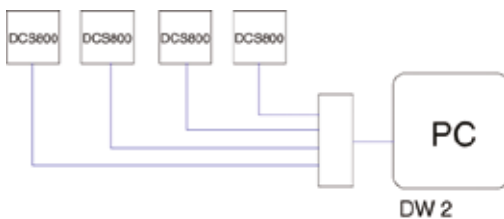
With DriveWindow the user is able to follow the co-operation of several drives simultaneously by collecting the actual values from the drives onto a single screen or printout.

Additionally, the client part of DriveWindow may reside on one Local Area Network PC, and the server side on another PC closer to the drives. This enables plant-wide monitoring to be easily accomplished with two PCs.

High speed communication

DriveWindow uses a high-speed fibre optic cable network with DDCS communication protocol.

This makes communication between PC and drives very fast. The fibre optic network is safe and extremely immune against external disturbance. The fibre optic communication card is needed inside the computer.



Monitoring drives

Using DriveWindow you can monitor several drives simultaneously. The history buffer makes it possible to record a large amount of data in the PC's memory. The drive's data logger can be accessed with DriveWindow and viewed in graphical form. The fault logger inside the drive automatically documents every fault, warning and event which occurs. The fault history stored in the drive can be uploaded to your computer.

Versatile back-up functions

Drive parameters can be saved to the PC with DriveWindow, and can easily be downloaded back to the drive whenever needed.

DriveWindow 2 features

Easy-to-use tool for commissioning and maintenance.

Several drives connected and monitored at the same time.

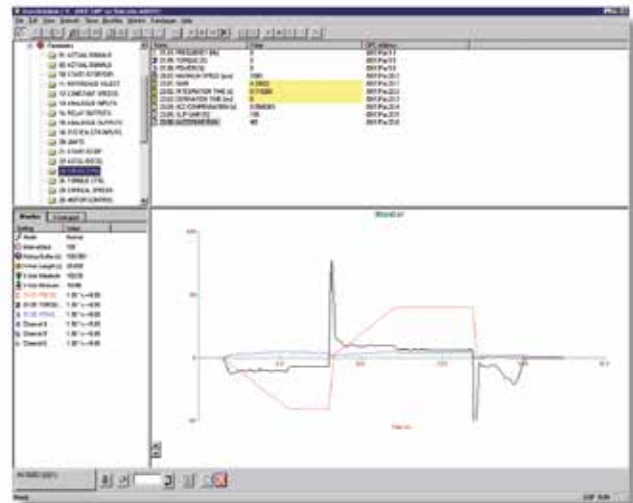
Monitor, edit or save signals and parameters, clear graphical presentation.

High-speed communication between PC and drive.

Versatile back-up functions.

View data collected and stored in the drive.

Fault diagnosis; DriveWindow indicates the status of drives, and also reads fault history data from the drive.



Start-up, maintenance and integration

DriveOPC

Integration tool

DriveOPC is a software package which allows OLE for Process Control (OPC) communication between Windows applications and DCS800 DC drives. It allows Object Linking and Embedding (OLE) for Process Control (OPC) communication. This OPC server is an ideal tool for integrating DCS800 DC drives and commercial PC software and creating PC-based controlling and monitoring systems.

Remote monitoring

DriveOPC enables remote connection via LAN (local area networks). The remote PC can be connected by its IP address (e.g. "164.12.43.33") or by the DNS name (e.g. "Gitas213").

OPC based software

OPC is an industry standard created in cooperation with Microsoft. It is an open architecture interface design, managed by the international OPC foundation. OPC is meant for different kinds of factory automation.

DriveOPC is based on OPC foundation data access standard 1.0A and Microsoft COM/DCOM technology. DriveOPC has full access to all drives, even when remote connection via LAN is used.

High speed communication

DriveOPC uses a high-speed fibre optic cable network with DDCS communication protocol. This makes communication between PC and drives very fast. The fibre optic network is safe and extremely immune against external disturbance. The fibre optic communication card is needed inside the computer.

DriveOPC features

DriveOPC supports OPC's data access 1.0A.

Read access to:

- Drive status: local, running, direction, fault,
- warning, reference
- Signals and parameters
- Fault logger contents
- Event logger contents
- General drive information
- Data logger settings, status and contents

Write access to:

- Drive control: local, start, stop, forward, reverse,
- coast stop, reset fault, home, teach-in, contactor
- on/off, reference
- Parameters
- Fault logger clear
- Data logger init, start, trig, clear



Remote monitoring tool Ethernet module

Browser-based, user-friendly

The intelligent Ethernet NETA-01 module gives simple access to the drive by means of the Internet communicating via a standard web browser. The user can set up a virtual monitoring room wherever there is a PC with an Internet connection or via a simple dial-up modem connection. This enables remote monitoring, configuration, diagnostics and, when needed, control. The drive can also provide process related information, such as load level, run time, energy consumption and I/O data, the bearing temperature of the driven machine, for instance.

This opens new possibilities for the monitoring and maintenance of unmanned applications across a range of industries, for instance water, wind power, building services and oil & gas, as well as any application where the user needs access to the drives from more than one location. It also provides an opportunity for OEMs and system integrators to support their installed base globally.

Features

- Virtual monitoring room for
 - Monitoring
 - Configuration of parameters
 - Diagnostics
 - Control, if needed
- Browser based access via
 - Intra-/extra-/Internet or
 - Simple dial-up modem connection
- No PC needed at the local end
- Can be used as a Modbus/TCP bridge for control purposes



Service products

To reduce the total cost of owning ABB drives and to maximize their availability ABB offers the following services:

Training services

ABB offers dedicated training on ABB drives for your service and operating personnel. Upon successful completion of the training course your personnel will have acquired the skills to use ABB drives correctly and safely, and also to get the best results from their application.

Service product code	Service type	Description
G560	DCS800 - 3 days	Basic training
G561	DCS800 - 1 day	Startup & Service Hands-on

ABB has a service organization that spans the globe. Contact your local ABB sales office for more information about our services.

www.abb.com/abbuniversity

Startup services

Using ABB's startup services you can trust that your drives are correctly commissioned and well-tuned to their application. ABB employs authorized professionals who have been thoroughly trained for their job.

ABB maintenance services

ABB maintenance services ensure optimal operation of your drives and extend their useful life.

Spare part services

ABB offers a fast and effortless information and ordering system to facilitate spare part management. Parts OnLine is at your service 24 hours.

<http://www.abb.com/partsonline>

DCS family



DCS550-S modules

The compact drive for machinery application

20 ... 1,000 A_{DC}
0 ... 610 V_{DC}
230 ... 525 V_{AC}
IP00

- Compact
- Robust design
- Adaptive and winder program
- High field exciter current



DCS800-S modules

The versatile drive for process industry

20 ... 5,200 A_{DC}
0 ... 1,160 V_{DC}
230 ... 1,000 V_{AC}
IP00

- Compact
- Highest power ability
- Simple operation
- Comfortable assistants, e.g. for commissioning or fault tracing
- Scalable to all applications
- Free programmable by means of integrated IEC 61131-PLC



DCS800-A enclosed converters

Complete drive solutions

20 ... 20,000 A_{DC}
0 ... 1,500 V_{DC}
230 ... 1,200 V_{AC}
IP21 – IP54

- Individually adaptable to customer requirements
- User-defined accessories like external PLC or automation systems can be included
- High power solutions in 6- and 12-pulse up to 20,000 A, 1,500 V
- In accordance to usual standards
- Individually factory load tested
- Detailed documentation



DCS800-E series

Pre-assembled drive-kits

20 ... 2,000 A_{DC}
0 ... 700 V_{DC}
230 ... 600 V_{AC}
IP00

- DCS800 module with all necessary accessories mounted and fully cabled on a panel
- Very fast installation and commissioning
- Squeezes shut-down-times in revamp projects to a minimum
- Fits into Rittal cabinets
- Compact version up to 450 A and Vario version up to 2,000 A



DCS800-R Rebuild Kit

Digital control-kit for existing powerstacks

20 ... 20,000 A_{DC}
0 ... 1,160 V_{DC}
230 ... 1,200 V_{AC}
IP00

- Proven long life components are re-used, such as power stacks, (main) contactors, cabinets and cabling / busbars, cooling systems
- Use of up-to-date communication facilities
- Increase of production and quality
- Very cost-effective solution
- Open Rebuild Kits for nearly all existing DC drives
- tailor-made solutions for...
 - BBC PxD
 - BBC SZxD
 - ASEA TYRAK
 - other manufacturers

Contact us

ABB Automation Products GmbH

Motors and Drives

Wallstadter Straße 59

D-68526 Ladenburg

Germany

Phone: +49 (0) 6203 717 608

Fax: +49 (0) 6203 717 609

dc-drives@de.abb.com

www.abb.com/motors&drives