

# Piston Type



## 1000 SERIES

- High working static pressure dry or liquid-filled gauge
- Ranges from 0 psid to 5 psid through 0 psid to 100 psid
- 2-1/2" and 4-1/2" gauge sizes
- Fiberglass reinforced thermoplastic case
- Standard black anodized aluminum wetted parts

### APPLICATIONS

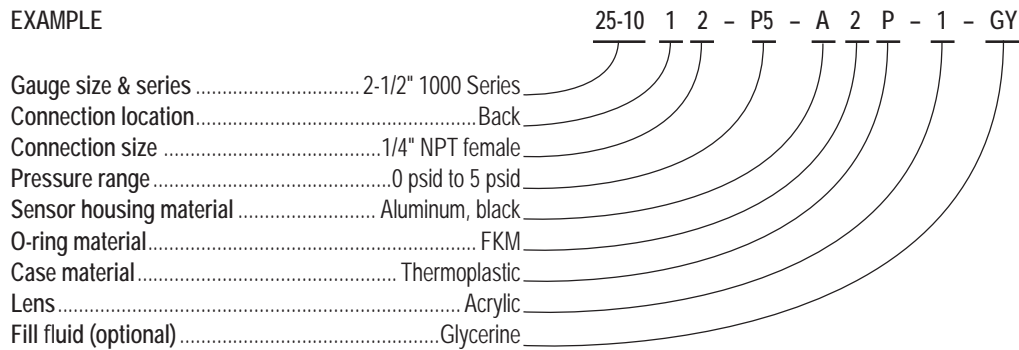
- Back flow testing
- Heat exchangers
- Filter monitoring
- Flow indication
- Level indication

### SPECIFICATIONS

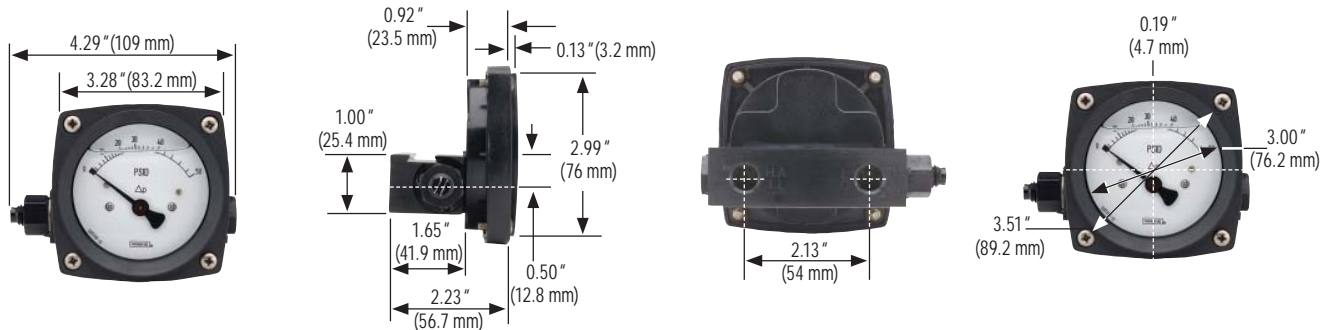
|                              |  |
|------------------------------|--|
| Pressure ranges              | 0 psid to 5 psid through 0 psid to 100 psid  |
| Max. working static pressure | 6,000 psig   |
| Accuracy                     | ±2% of full scale on rising pressure   |
| Temperature ranges           | Media -40 °F to 200 °F (-40 °C to 93 °C)<br>Ambient -40 °F to 200 °F (-40 °C to 93 °C)<br>Storage -40 °F to 200 °F (-40 °C to 93 °C) |
| Measuring element            | 316 stainless steel and ceramic piston/magnet  |
| O-ring material              | FKM  |
| Connection                   | 1/4" NPT female, back connection   |
| Sensor housing material      | Black anodized aluminum  |
| Case                         | Fiberglass reinforced thermoplastic  |
| Bezel                        | Fiberglass reinforced thermoplastic  |
| Lens                         | Acrylic  |
| Pointer                      | Balanced aluminum, black finish  |
| Dial                         | Aluminum, white background with black scale  |
| Movement                     | Magnetic   |
| Gauge fill fluid             | Glycerine  |

| ORDERING INFORMATION     |                       |                        |                                    |                         |
|--------------------------|-----------------------|------------------------|------------------------------------|-------------------------|
| GAUGE SIZES & SERIES     | 25 - 10 2-1/2"        | 45 - 10 4-1/2"         |                                    |                         |
| CONNECTION LOCATIONS     | 1 Back                | 2 Side                 |                                    |                         |
| CONNECTION SIZE          | 2 1/4" NPT female     |                        |                                    |                         |
| PRESSURE RANGES          | P5 0 psid to 5 psid   | P20 0 psid to 20 psid  | P50 0 psid to 50 psid              | P100 0 psid to 100 psid |
|                          | P10 0 psid to 10 psid | P25 0 psid to 25 psid  | P60 0 psid to 60 psid              |                         |
|                          | P15 0 psid to 15 psid | P30 0 psid to 30 psid  | P75 0 psid to 75 psid              |                         |
| SENSOR HOUSING MATERIALS | A Aluminum, black     | S 316L Stainless steel |                                    |                         |
| O-RING MATERIALS         | 2 FKM                 | 3 NBR                  | 4 EPDM                             |                         |
| CASE MATERIAL            | P Thermoplastic       |                        |                                    |                         |
| LENSES                   | 1 Acrylic             | 2 Safety glass         | 3 Maximum indicating pointer (MIP) |                         |
| FILL FLUIDS (OPTIONAL)   | GY Glycerine          | SL Silicone            | HL Halocarbon®                     |                         |

Please consult your local NOSHOK Distributor or NOSHOK, Inc. for availability and delivery information.



## 2-1/2" Gauge Panel Cut-Out Dimensions



## 4-1/2" Gauge Panel Cut-Out Dimensions

