

## Overview



SITRANS FUE950 is a universal thermal energy calculator, which meets the requirements EN 1434 and has the MID and PTB K7.2 approval for energy metering with the media water.

SITRANS FUE950 has been developed for the SITRANS FUS380/FUE380 and alternatively MAG 5000/6000 or FST020. SITRANS FUE950 is modular in construction and can by order be fitted with optional modules depending on the application. The FUE950 supports none of the SITRANS FX, FC products and only some of the FUS clamp-on products.

## Benefits

### Basic functions

- Prepared for heating, cooling measurement
- Approval for MID for heat metering and PTB K7.2 for cooling
- High-accuracy thermal energy metering, meets EN 1434 requirements
- Measured temperature range  $-20 \dots +190 \text{ }^{\circ}\text{C}$  ( $-4 \dots +374 \text{ }^{\circ}\text{F}$ )
- Instantaneous values for energy/volume flow
- Battery or mains powered
- Battery version with battery lifetime of typically up to 10 years
- Optical data interface
- Real date and time
- Auto-detection of 2-wire or 4-wire temperature sensors

### Additional functions

- Individual tariff functions
- Advanced functions for cooling/heating applications or the combination
- Memory for 24 periods (months, weeks, days)
- Data logger function
- Expandable functionality with 2 optional plug and play add-on modules
- Communication over M-Bus, RS 485 or RS 232

### Add-on modules

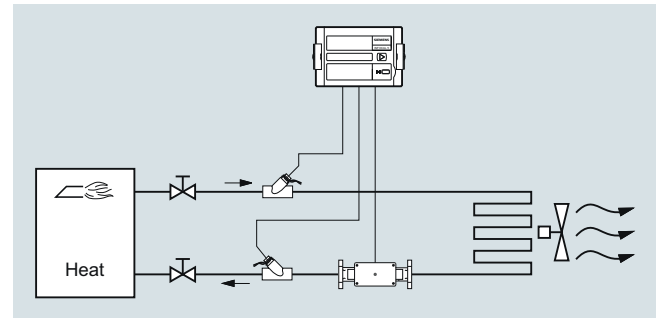
- Plug-in module with 2 extra pulse inputs
- Plug-in module with 2 pulse outputs
- Plug-in module with combination of input and output pulses
- Plug-in module for M-Bus communication
- Plug-in module for RS 232 or RS 485 communication
- Plug-in module with 2 passive current outputs ( $4 \dots 20 \text{ mA}$ )

## Application

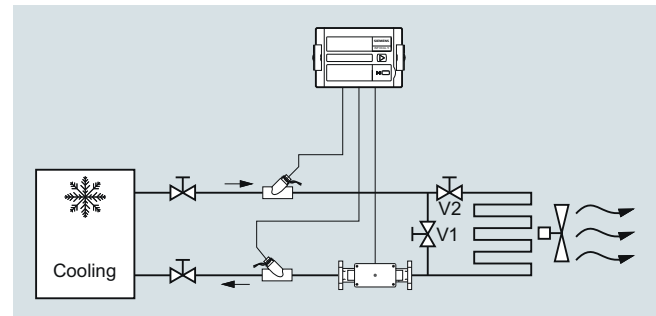
The SITRANS FUE950 is able to handle 3 kinds of applications, means energy calculation in:

- District heating applications
- Chilled water applications
- Combined cooling/heating applications

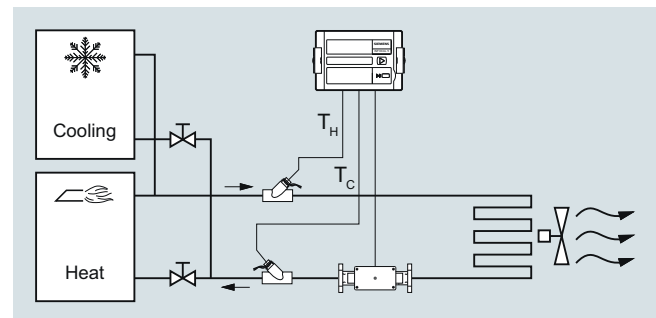
### Energy metering in heating, hot water applications (code "A" and "B")



### Energy metering in cooling, chilled water applications (code "C" and "D")



### Energy metering in combined cooling/heating applications (code "E" and "F")



## Flow Measurement

### SITRANS FS (ultrasonic)

Inline ultrasonic flowmeters

#### SITRANS FUE950 energy calculator

##### Design

SITRANS FUE950 has an easy-read 8-digit LCD display with associated pictograms for the various functions. As the display has been made for several applications, some figures/symbols not used for normal district heating applications will be shown.

SITRANS FUE950 has a push button for simple operation and provides user-friendly control via the various display menu loops. The display will always be configured for the application chosen, and for the selected display settings.

The integrator has an IP54 plastic housing and is designed for wall or panel mounting. The housing comes with prepared rubber gaskets cable entries for fast and easy installation.

##### Operation menu loop structure

The FUE950 display has six menu loops and the menus are numbered in the display from 1 to 6. Some display menus consist of two values (to maximum seven) that are shown alternately at 4-second intervals.

The main menu loop no. 1 with the current data, e.g. for energy, volume, flow rate and temperature, is preprogrammed as default setting.

In the combined heating/cooling configuration the menu loop no. 5 (tariff menu loop) will be activated additionally.

##### Displays and output pulses

Units: MWh, GJ, Gcal, MBtu, m<sup>3</sup>, gal, m<sup>3</sup>/h, GPM, °C, °F and kW; all decimal points are statically (the unit "gal" is shown with factor x 100).

The display unit and the last fractional digit are typical used for the pulse outputs.

##### Function

###### Technical principle

Calculation of energy is based on the following formula:

$$\text{Energy} = \text{Volume} \times (T_{\text{Hot}} - T_{\text{Cold}}) \times K_{\text{factor}} (T_i)$$

Volume: Volume [m<sup>3</sup>] of a given amount of volume pulses

$T_{\text{Hot}}$ : Measured temperature in the hot line

$T_{\text{Cold}}$ : Measured temperature in the cold line

$K_{\text{factor}} (T_i)$ : Thermal coefficient of media enthalpy and heat content

The energy calculation is made by a counter and depends on temperature difference, pulse input frequency and legal requirements.

The calculator always carries out at least one energy calculation every 2 seconds. If the connected flowmeter has not sent enough pulses the energy calculation and flow indication is also based on the 8 seconds value.

###### Data memory

The FUE950 has a history memory of 24 periods (months, weeks, days). The following values are stored monthly, weekly or daily in the EEPROM on the programmed day of 1...31 (via software tool).

• Date/Time	• Volume
• Energy	• Error day counter
• Tariff energy 1	• Maximum monthly flow rate
• Tariff energy 2	• Maximum monthly power
• Tariff definition 1	• Date of maximum monthly flow rate
• Tariff definition 2	• Date of maximum monthly power
• Pulse counter input 1	• Pulse counter input 2
• Operation hours	

##### Data logger memory (LOG)

The LOG of the calculator is stored every 24 hours with all cumulative values in the EEPROM. The storage frequency can be selected from various storage intervals (5, 6, 10, 12, 15, 20, 30, 60 minutes or the default setting of 24 hours). The data which are stored in the LOG could be read out using a software tool and can be used for evaluations.

##### Extract of possible LOG settings

Storage interval	Values	Number of data records	Recording period
5 minutes	• Error status	440	36.6 hours
15 minutes	• Overload time temperature	440	110 hours
1 hour	• Overload time flow rate	440	18.3 days
24 hours (default setting)	• Forward temperature	440	440 days
	• Return temperature		
	• Date and time		
	• Energy		
	• Tariff energy 1		
	• Tariff energy 2		
	• Tariff definition 1		
	• Tariff definition 2		
	• Volume		
	• Error day counter		

##### Maximal Values

The integrator creates max. values for power and flow rate based on consumption time, which are stored in the EEPROM. The integration intervals are adjustable to 6, 15, 30 or 60 minutes and 24 h. Default setting is 60 minutes.

##### Tariff/Accounting date function

The calculator includes two independent memories in which the accumulated energy at two programmable tariff dates are stored.

- Last accounting date
- Last but one accounting date

##### Values stored

- Energy
- Volume
- Tariff counter 1
- Tariff counter 2
- Pulse counter 1
- Pulse counter 2
- Date

The integrator offers two optional tariff memories for monitoring plant load states. Here it concerns threshold value tariffs. Extensive tariff conditions make it possible to adapt the calculator individually to the required customer-specific applications.

Both tariffs are separately configurable and independent from each other. Energy or time can be measured alternatively per tariff register dependent on the tariff mode adjusted in each case.

With the "time triggered tariff function" the switch-on time and the switch-off time are adjustable independent from each other for each day of the week in steps of 15 minutes.

### Function (continued)

The following tariff limit types of the tariff are possible: (This example applies to the display at 3 fractional digits after comma)

Type	Description	Limit	Limit resolution
dT	Temperature difference	1 ... 190 °C	1 °C
-dT	Negative temperature difference	1 ... 190 °C	1 °C
TR	Return temperature (low)	1 ... 190 °C	1 °C
TV	Forward temperature (high)	1 ... 190 °C	1 °C
P	Power	10 ... 2500 kW	10 kW
Q	Flow	1 ... 255 m <sup>3</sup> /h	1 m <sup>3</sup> /h
FE	"Theoretically forward energy" with return temperature of 0 °C		
Z	"Time triggered" counting energy		
E	"External" counting energy		

### Error handling and memory

Events such as changes and faults are stored in a non-volatile memory with a capacity of up to 127 entries. The following events are recorded:

- Checksum error
- Temperature measurement error
- Error hours
- Start and end of test mode

If SITRANS FUE950 records an error, this will be automatically indicated by a "alarm symbol" on the display.

To protect the reading data, all the relevant data are saved in a non-volatile memory (EEPROM). This memory saves the measured values, device parameters and types of error at regular intervals.

The following events are recorded:

- Temperature sensor error
- Swapped hot and cold temperature sensors
- Battery low warning
- Power supply failure
- Optical communication warning
- RAM checksum error

### Outputs/Inputs/Communication

#### Communication interfaces:

SITRANS FUE950 is fitted with an optical infra-red send/receive port in accordance with EN 1434/IEC 61107, protocol standard, EN 1434/EN 60870-3 (M-Bus protocol).

A specific optical head with a permanent magnet (IrDA-adapter) in accordance with EN 1434 can be used for readout data or communication with the parameterization software.

#### 2 ports for optionally plug-in modules

The calculator features 2 ports for the plug-in modules.

One slot is for the function modules and the other for the communication modules.

#### Communication modules

The following communication modules are available as options: RS 232 module, RS 485 module and M-Bus module. The RS 232 and RS 485 communication modules are serial interfaces and permit data exchange with the calculator. For this purpose a special data cable is necessary.

The M-Bus module is a serial interface for communication with external devices (M-Bus Master/Centre). According to the M-Bus structure a number of calculators can be connected to a control centre.

#### Pulse input module

Two pulse inputs are available. The pulse value and the unit is configurable for energy, water, gas or electrical meter by parameterization software. Data are separate cumulated in different registers and are also stored on the two accounting day's (Tariff registers).

#### Combined pulse Input/Output module

Two pulse inputs combined with one pulse output are available on one module. The pulse inputs are configurable with value and the unit by parameterization software.

The pulse output is also programmable using the parameterization software.

#### Pulse output

The calculator provides levels for two optional external pulse outputs, which can be freely programmed using the parameterization software tool.

Default setting is one pulse which occurs per change in the least significant digit in the display with the unit and resolution selected by the device ordering.

Possible pulse output values

- Energy (default setting)
- Volume (default setting)
- Tariff energy 1
- Tariff energy 2
- Tariff condition 1, limit switch
- Tariff condition 2, limit switch
- Energy error
- Volume error
- Volume with specific resolution (0.1, 1.0, 10 or 100)
- Energy with specific resolution (0.1, 1.0, 10 or 100)

#### Combined current output module

Optional module with 2 passive 4 ... 20 mA outputs.

Possible output values:

- Power (default setting for output #1)
- Flow (default setting for output #2)
- Hot, cold or difference temperature

The settings can be configured by parameterization software. The current output module occupies both ports, means no other plug-in module will possible to plug in.

#### Module combinations

The calculator has a group of extension modules for communication and another group of extension modules for additional functionality. These modules are available first selected within the calculator, or for retrofitting in the field.

One single function module as well as one single communication module out of following modules is selectable.

Function modules:

- Pulse input module, 2 inputs
- Pulse output module, 2 outputs
- Combined pulse module 2 inputs, 1 output
- Combined current output module, 2 x passive 4 ... 20 mA (occupies both ports)

Communication modules:

- M-Bus (M-Bus protocol according EN 1434-3)
- RS 232 (M-Bus protocol according EN 1434-3)
- RS 485 (M-Bus protocol according EN 1434-3)

## Flow Measurement

### SITRANS FS (ultrasonic)

#### Inline ultrasonic flowmeters

### SITRANS FUE950 energy calculator

#### Integration

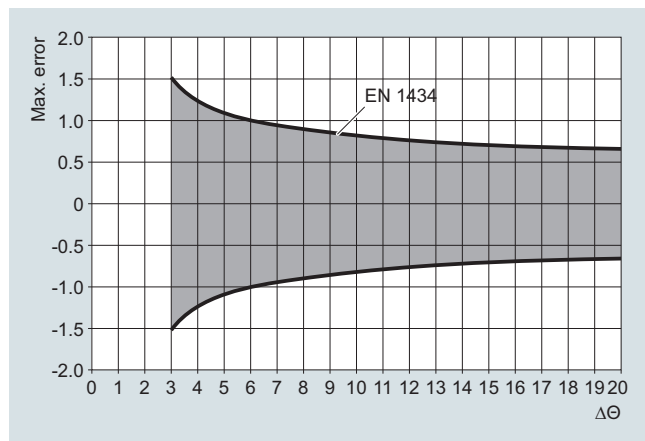
SITRANS FUE950 is a multi-purpose energy calculator for media water which meets the requirements of EN 1434. Further, the energy calculator has been specially developed to process volume pulses from SITRANS FUS380/FUE380 or alternatively MAG 5000/6000 or FST020 transmitter.

#### Technical specifications

Approval	MID approved in accordance with energy meter EN 1434 and PTB K7.2 (German national cooling approval)
Approved temperature range	0 ... 180 °C (32 ... 356 °F)
• Heating	0 ... 105 °C (32 ... 221 °F)
• Cooling	
Absolute temperature range	-20 ... +190 °C (-4 ... -374 °F)
Differential temperature	
• Heating	3 ... 177 K (starting at 0.1 K)
• Cooling	3 ... 102 K
Measuring accuracy	Meets requirements of EN 1434 Typically max. $\pm (0.5 + 3 K/\Delta\theta)$ [%] of measured value
Measuring rates	
• Battery type D-cell	Volume: 1 s, temperature: 4 s
• Mains versions	Volume: 1/8 s, temperature: 2 s
Flow range	Depends on pulse input value (I/P), see "Selection and Ordering data"
Power range value	Depends on pulse input value as follows:
Pulse input value (I/P or gal/P)	Max power [kW]
1	15000
2.5	15000
5	15000
10	150000
25	150000
50	150000
100	1500000
250 *)	1500000
500 *)	1500000
1000 *)	15000000

\*) not available for gal/pulse

#### Typical accuracy of FUE950



<b>User interface (always included)</b>	
Display	8-digit LCD display with associated pictograms/symbols
Units	MWh, GJ, Gcal, MBtu, m <sup>3</sup> , m <sup>3</sup> /h, GPM, gal, °C, °F, kW, MBtu/h (gal is shown with factor x 100)
Totalizer value range	99 999 999 or 9 999 999.9 (0 and 1 digit after comma). Display digits: Flow in 6 digits; Volume, power and energy in 8 digits
Values	Power, energy, volume, flow rate, temperatures
Push button	Single push button for the menu controlling
Optical interface IrDA interface	ZVEI optical interface with M-Bus protocol as per EN 1434, connection via separate IrDA-adapter baud rate: 300 or 2400

<b>Rated operation conditions</b>	
Enclosure	IP54 in accordance with IEC 529
Material	
• Housing	C Lexan 141R (or similar); colors: light gray (top part) and black (bottom part)
• Pipe/wall fitting	PA 6,6 GF25 (or similar)
• Other plastic parts	ABS Cycolac GPM500 (or similar)
• Gaskets	Neoprene and rubber cable bushings: EPDM 50
• Rubber cable bushings	EPDM 50
Temperature	
• Ambient	5 ... 55 °C (41 ... 131 °F)
• Storage	-25 ... +70 °C (-13 ... +158 °F)
	Relative ambient humidity < 93 %
Environment class	
• Mechanic class	M1/M2
• Electromagnetis class	E1/E2 (MID) or C (DIN EN 1434)

<b>Temperature input (always included)</b>	
Function	The temperature sensors must be connected to terminals 1-5 and 6-2 (T <sub>H</sub> ) and 3-7 and 8-4 (T <sub>C</sub> ) depending on cable type (2-wire or 4-wire).
Temperature range	-20 ... 190 °C (-4 ... 374 °F) for T <sub>H</sub> and T <sub>C</sub>
Absolute measuring range	
Temperature difference	Start 0.1 K, min. 3 K, max. 177 K
Measurement cut-off	0.125 K
Display resolution	T <sub>H</sub> and T <sub>C</sub> : 0.1 K ΔT: 0.1 K 16-bit digital resolution AD converter
Sensor types	Pt100 or Pt500 as 2-wire or 4-wire; Standard is Pt500. Sensor cable length: up to 10 m (according EN 1434 and MID-type approval).
Sensor connection	4-wire or 2-wire; auto detection of connection version

#### Technical specifications (continued)

<b>Flow input (IN0) (always included)</b>		<b>Pulse output 1</b>	
Function	Used as standard for flow input of the external flowmeter. The input is marked as 10 (+ Flow Pulse), 11 (- Gnd) on the terminal strip.  Note: The pulse input value selection must be the same as the pulse output setting of the flowmeter.	<ul style="list-style-type: none"> <li>• Pulse frequency</li> <li>• Pulse width</li> <li>• Pulse duration</li> <li>• Pulse break</li> </ul>	<ul style="list-style-type: none"> <li>≤ 4 Hz</li> <li>125 ms ± 10 %</li> <li>125 ms ± 10 %</li> <li>≥ 125 ms -10 %</li> </ul>
Pulse value	1 ... 1000 l/pulse or 1 ... 100 gal/pulse, selection by corresponding order code. Will be shown at the device label	<ul style="list-style-type: none"> <li>• Pulse output 2</li> <li>• External voltage supply</li> </ul>	<ul style="list-style-type: none"> <li>≤ 100 Hz, depending on the selected pulse length</li> <li>Pulse duration/pulse break ~ 1:1</li> <li>5, 10, 50, 100 ms (default: 5 ms)</li> <li>3 ... 30 V DC</li> </ul>
Pulse frequency	≤ 100 Hz (200 Hz)	<ul style="list-style-type: none"> <li>• Ratio</li> </ul>	<ul style="list-style-type: none"> <li>≤ 20 mA with a residual voltage of ≤ 0.5 V</li> </ul>
Pulse ON-time	≥ 3 ms	<ul style="list-style-type: none"> <li>• Pulse length</li> </ul>	<ul style="list-style-type: none"> <li>• Energy (default setting for 'Out1')</li> <li>• Volume (default setting for 'Out2')</li> <li>• Tariff energy 1</li> <li>• Tariff energy 2</li> <li>• Tariff condition 1 (limit switch)</li> <li>• Tariff condition 2 (limit switch)</li> <li>• Energy error</li> <li>• Volume error</li> <li>• Volume with specific display resolution (or with factor 0,1, 10 or 100 thereof)</li> <li>• Energy with specific display resolution (or factor 0.1 thereof)</li> </ul>
Pulse OFF-time	≥ 2 ms	<ul style="list-style-type: none"> <li>• External voltage supply</li> </ul>	
Type	Active pulse input	<ul style="list-style-type: none"> <li>• Current</li> </ul>	
Terminal voltage	3.6 V DC (supplied internally by FUE950)	<ul style="list-style-type: none"> <li>• Possible pulse output selection</li> </ul>	
Flowmeter installation place	The flowmeter installation place can be in the hot line or cold line ("forward or return pipe") selected by corresponding order code. The "installation place" will be shown at the device display and nameplate		
Connected cable	Max. 10 m (shielded cables are highly recommended)		
<b>Ports for option modules</b>		<b>Pulse input</b>	
Type	The calculator features 2 ports for optional plug-in modules.	Function	Add-on module for two additional counters. The pulse input 1 is marked as I1, 'gnd' and the input 2 as I2, 'gnd' on the terminal strip and indicated in the display as separate registers IN1 and IN2 and can also be transferred via the communication modules.
Function modules (Port 1 or 2)	<ul style="list-style-type: none"> <li>• Pulse input module, 2 inputs (In1, In2)</li> <li>• Pulse output module, 2 outputs (Out1, Out2)</li> <li>• Combination module of 2 inputs (In1, In2) and 1 output (Out1)</li> </ul>	Type	Passive "open collector" pulse inputs, outputs not potential isolated to each other, data are separate cumulated in different registers and are also stored on the two accounting day's.
Current output module (Port 1)	2 passive 4 ... 20 mA (#1, #2) (occupies both port 1 and 2)	Pulse value	Pulse value and the unit are configurable for energy, water, gas or electrical meter by a software tool  Default: Pulse input 0,1 m3 or 1 gal (if unit 'gal' is ordered with the Z-option "L05")
Communication modules (Port 1 or 2)	M-Bus, RS 232 or RS 485 (M-Bus protocol, according EN 1434-3)	Pulse frequency	≤ 8 Hz
<b>Pulse output</b>		Pulse length	≥ 10 ms
Function	The module contains connections for 2 pulse outputs, which can be programmed as desired using a software tool. The pulse outputs are marked as standard as O1, 'gnd' and O2, 'gnd' on the terminal strip and Out1 respectively Out2 in the display.	External voltage supply	3 V DC (supplied internally by FUE950)
Type	Passive "open collector" pulse output, outputs potential isolated to each other	Current	based on $R_i = 2.2 \text{ M}\Omega$
Pulse value	Last significant digits of the display (unit/pulse), selection by corresponding order code and setting can be read via display menu, settings changeable via software tool	Cable length	< 10 m connection limit

## Flow Measurement

### SITRANS FS (ultrasonic)

#### Inline ultrasonic flowmeters

#### SITRANS FUE950 energy calculator

#### Technical specifications (continued)

##### Current output module

Function	The module contains connections for 2 passive current outputs, which can be programmed individually using the software tool. The outputs are marked „#1“ and „#2“ with corresponding polarity „+“ and „-“ on the terminal strip. The module will be connected on port 1 only, but both ports are occupied by the module.
Terminal voltage	External supply: 10 ... 30 V DC (passive output)
Signal range	4 ... 20 mA; 4 mA = 0 value and 20 mA = default maximum values (for #1: Power in kW and for #2: Flow with the max. values and selected unit). Defaults: For power it is the max. selectable value x 100 000 the last digit of display (e. g. 20 mA = 10 000.0 kW (1 digit res.) or 100 000 kW (0 digit res)). For flow it is the max. selectable value x 10 000 the last digit of display (e. g. 20 mA = 1 000.0 m <sup>3</sup> /h (1 digit res.) or 10 000 m <sup>3</sup> /h (0 digit res.)).
Load	Max. 800 Ω
Upper limit	Up to 20.5 mA (exceed causes the error current value)
Signal on alarm	Errors are indicated with 3.5 mA or 22.6 mA (programmable, default: 3.5 mA)
Output values	Power, flow, temperature (configuring via software tool; default: for #1: Power and for #2: Flow)

##### M-Bus output

Type	The optional M-Bus plug-in module is a serial interface for communication with external devices (M-Bus Repeater)
Protocol	M-Bus according EN 1434-3
Connection	The connection is not polarity-conscious and is electrically isolated, connection of 2 x max. 2.5 mm <sup>2</sup> wires, 300 or 2400 baud (auto baud detection), current drawn: one M-Bus load. M-Bus address: Each port has its own primary M-Bus address (Prim1 = the last two digits of the serial number; Prim2 = 0). The secondary address is unique for each calculator and is factory-set to equal the serial number.

##### RS 232 output

Type	The optional module RS 232 is a serial interface for data transmission with external devices, e.g. PC; baud rate: 300 or 2400. The module contains a 3-pole terminal strip with terminals marked 62 (TX), 63 (RX) and 64 (GND). For this purpose a special data cable is necessary.
Protocol	M-Bus according EN 1434-3
Connection	The module contains a 3-pole terminal strip with terminals marked 62, 63, 64 (max. 2.5 mm <sup>2</sup> ); Connected cable length: max 10 m; For communication with a PC a special adapter cable is required (order no. A5E02611774).

##### RS 485 output

Function	The optional RS 485 module is a serial interface for data transmission with external devices, e.g. PC; baud rate: 2400. The module contains a 4-pole terminal strip with terminals marked D+, D-, Vcc and GND.
Protocol	M-Bus protocol according EN 1434-3
Connection	Terminals D+ and D-; electrically isolated; 2400 baud only. An external supply of 12 V DC ± 5 V (<5 W) is needed for the module (terminals Vcc and GND). The module terminals are max. for 2.5 mm <sup>2</sup> wires. Connected cable length: max. 10 m

##### Power consumption

230 V and 24 V versions	Typical current appr. 0.15 VA
3.6 V D-cell battery	Typical battery lifetime 10 years under normal conditions (no add-on modules, max. 40 °C ambient temperature)
Supply data	Internal voltage 3.6 V by the battery or plug-in power supply module
Battery, 3.6 V type (option)	3.6 V lithium D-cell, battery lifetime typically 16 years with independently powered flowmeter
230 V AC module (option)	Plug-in module for 230 V AC (195 ... 253 V AC), 50/60 Hz (incl. battery backup)
24 V AC module (option)	Plug-in module for 24 V AC (12 ... 30 V AC) (incl. battery backup)
Battery backup (option)	Only with mains supply modules by internal 3.0 V lithium battery (type CR 2032) Displayed values, date and time are still updated, but the measuring functions have stopped, including the flow rate measurement. Communication via optional modules M-Bus, RS 485, RS 232 or optical interface is maintained, affecting the backup battery lifetime.

#### Accessories/Software

The parameterization software based on the M-Bus is a convenient tool for handling the calculator. It runs on Windows and is used for configuration of the calculator functionality, reading out different memories, printing out calculator logs. For further details please contact your local Siemens representative.

A specific optical head with a permanent magnet in (IrDA adapter with bluetooth) accordance with EN 1434 can be used for programming/altering programming of readout data, configuration data, etc. The reader head can also be used to change measuring data.

Selection and ordering data	Article No.	Article No.																																	
<b>Energy calculator SITRANS FUE950, MID or PTB K7.2 custody transfer approved</b>	<b>7ME3480-</b>	<b>Energy calculator SITRANS FUE950, MID or PTB K7.2 custody transfer approved</b>																																	
<p>↗ Click on the Article No. for the online configuration in the PIA Life Cycle Portal.</p> <p><b>Flow input setting (INO)</b></p> <p>The pulse input value selection must be the same as the pulse output setting of the selected flowmeter. To get optimal function and performance the pulse value must be selected as low as possible according to the maximum flow rate.</p> <p>The following calculation formula can be used for determining the lowest pulse value at a pulse length of 5 ms: <math>L/pulse &gt; Q_{max} (m^3/h)/360</math>. For example <math>Q_{max} = 300 m^3/h</math>; <math>L/pulse &gt; 300/360</math>; <math>L/pulse &gt; 0.83</math>; therefore the pulse value must be 1 l/pulse.</p> <table border="1"> <thead> <tr> <th>Pulse input in l/pulse or in gal/pulse (with option L05)</th> <th>Flow limit <math>Q_{max}</math> in <math>m^3/h</math></th> <th>Flow limit <math>Q_{max}</math> in GPM<sup>1)</sup> (with option L05)</th> </tr> </thead> <tbody> <tr><td>1</td><td>360</td><td>6000</td></tr> <tr><td>2.5</td><td>900</td><td>15000</td></tr> <tr><td>5</td><td>1800</td><td>30000</td></tr> <tr><td>10</td><td>3600</td><td>60000</td></tr> <tr><td>25</td><td>9000</td><td>150000</td></tr> <tr><td>50</td><td>18000</td><td>300000</td></tr> <tr><td>100</td><td>36000</td><td>600000</td></tr> <tr><td>250</td><td>90000</td><td>-</td></tr> <tr><td>500</td><td>180000</td><td>-</td></tr> <tr><td>1000</td><td>360000</td><td>-</td></tr> </tbody> </table> <p><sup>1)</sup> GPM = Gallons per minute</p> <p><b>Calculator application/Flowmeter installation place</b></p> <p>For heating, flowmeter in return pipe (cold pipe), typical standard <b>A</b></p> <p>For heating, flowmeter in forward pipe (hot pipe) <b>B</b></p> <p>For cooling, media water, flowmeter in forward pipe (cold pipe) <b>C</b></p> <p>For cooling, media water, flowmeter in return pipe (hot pipe) <b>D</b></p> <p>For combined cooling/heating, flowmeter in forward pipe (hot pipe as heating) (MID conformity declaration for heating) <b>E</b></p> <p>For combined cooling/heating, flowmeter in return pipe (cold pipe as heating) (MID conformity declaration for heating) <b>F</b></p> <p><b>Temperature sensor type</b></p> <p>Pt500 setup, no sensor pair included (standard) <b>0</b></p> <p>Pt500 setup and Pt500 sensor pair (6/140 mm), 4-wire with 5 m connection cable, 6 mm sensor diameter and 140 mm sensor length. MID approved DE-06-MI004-PTB011, PTB approved 22.77/09.01, incl. factory test report (mentioned approvals are only valid if temp. sensors are used with the applicable temperature sensor pockets) <b>3</b></p> <p>Pt500 setup and Pt500 sensor pair (6/230 mm), 4-wire with 5 m connection cable, 6 mm sensor diameter and 230 mm sensor length. MID approved DE-06-MI004-PTB011, PTB approved 22.77/09.01, incl. factory test report (mentioned approvals are only valid if temp. sensors are used with the applicable temperature sensor pockets) <b>4</b></p> <p>Pt100 setup, no sensor pair included <b>5</b></p> <p>Pt 500 setup and PT500 sensor pair (6/50 mm), 2-wire type incl. 5 m cable, 6 mm sensor diameter and 50 mm length, with MID approval (only for use with the applicable temperature sensor pockets) <b>6</b></p> <p>Pt 500 setup and PT500 sensor pair (6/50 mm), 2-wire type incl. 10 m cable, 6 mm sensor diameter and 50 mm length, with MID approval (only for use with the applicable temperature sensor pockets) <b>7</b></p>	Pulse input in l/pulse or in gal/pulse (with option L05)	Flow limit $Q_{max}$ in $m^3/h$	Flow limit $Q_{max}$ in GPM <sup>1)</sup> (with option L05)	1	360	6000	2.5	900	15000	5	1800	30000	10	3600	60000	25	9000	150000	50	18000	300000	100	36000	600000	250	90000	-	500	180000	-	1000	360000	-		<p><b>Temperature sensor pocket sets</b></p> <p>for 6 mm sensor diameter</p> <p>No pockets (standard) <b>0</b></p> <p>Brass pockets for 6 mm 2-wire sensors, length 82/92 mm, G½ inch, max. PN 16 (2 pcs.) <b>2</b></p> <p>Stainless steel pocket, 120/135 mm length for 6 mm sensor diameter, max. PN 40 and max. 5 m/s (2 pcs. for 140 mm 4-wire sensors above) <b>5</b></p> <p>Stainless steel pockets for 6 mm 2-wire sensors, length 117/127 mm, G½ inch, max. PN 25 (2 pcs.) <b>6</b></p> <p>Stainless steel pocket, 210/225 mm length for 6 mm sensor diameter, max. PN 40 and max 5 m/s (2 pcs. for 230 mm 4-wire sensors above) <b>7</b></p> <p>Stainless steel pockets for 6 mm 2-wire sensors, length 155/168 mm, G½ inch, max. PN 25 (2 pcs.) <b>8</b></p> <p><b>Voltage supply</b></p> <p>Battery 3.6 V DC (Lithium D-cell type) (standard) <b>1</b></p> <p>Mains power module for 230 V AC supply (incl. back-up battery) <b>2</b></p> <p>Mains power module for 24 V AC supply (incl. back-up battery) <b>3</b></p> <p>No power supply module (power supply ordering separate) <b>4</b></p> <p><b>Option modules</b></p> <p>No module (standard) <b>A</b></p> <p><u>1 module (communication module)</u></p> <p>M-Bus module <b>B</b></p> <p>RS 232 module (M-Bus protocol) <b>C</b></p> <p>RS 485 module (M-Bus protocol) <b>D</b></p> <p><u>1 module (function module)</u></p> <p>Pulse output, 2x output (Out1 "Energy" and Out2 "Volume") <b>E</b></p> <p>Pulse input, 2x input (In1 and In2) <b>F</b></p> <p>Pulse out-/input combination, 2x input and 1x output <b>G</b></p> <p><u>Combination of 2 modules (communication and function module)</u></p> <p>M-Bus module and Pulse output, 2x output (Out1 "Energy" and Out2 "Volume") <b>H</b></p> <p>M-Bus module and Pulse input, 2x input (In1 and In2) <b>J</b></p> <p>M-Bus module and Pulse out-/input combination, 2x input and 1x output <b>K</b></p> <p>RS 232 module (M-Bus) and Pulse output, 2x output (Out1 "Energy" and Out2 "Volume") <b>L</b></p> <p>RS 232 module (M-Bus) and Pulse input, 2x input (In1 and In2) <b>M</b></p> <p>RS 232 module (M-Bus) and Pulse out-/input combination, 2x input and 1x output <b>N</b></p> <p>RS 485 module (M-Bus) and Pulse output, 2x output (Out1 "Energy" and Out2 "Volume") <b>P</b></p> <p>RS 485 module (M-Bus) and Pulse input, 2x input (In1 and In2) <b>Q</b></p> <p>RS 485 module (M-Bus) and Pulse out-/input combination, 2x input and 1x output <b>R</b></p> <p>Combination current output module, 2x passive 4 ... 20 mA (Out 1 "Power", Out 2 "Flow") (occupies both module Ports 1 and 2) <b>S</b></p>
Pulse input in l/pulse or in gal/pulse (with option L05)	Flow limit $Q_{max}$ in $m^3/h$	Flow limit $Q_{max}$ in GPM <sup>1)</sup> (with option L05)																																	
1	360	6000																																	
2.5	900	15000																																	
5	1800	30000																																	
10	3600	60000																																	
25	9000	150000																																	
50	18000	300000																																	
100	36000	600000																																	
250	90000	-																																	
500	180000	-																																	
1000	360000	-																																	

## Flow Measurement

### SITRANS FS (ultrasonic)

Inline ultrasonic flowmeters

#### SITRANS FUE950 energy calculator

#### Selection and ordering data

#### Article No.

#### Article No.

**Energy calculator SITRANS FUE950, MID or PTB K7.2 custody transfer approved**

7ME3480-

#### Display units and resolutions

MWh & kW, m<sup>3</sup>, m<sup>3</sup>/h in 2 digit resolution;  
Temperature: no decimal figures

C

MWh & kW, m<sup>3</sup>, m<sup>3</sup>/h in 1 digit resolution;  
Temperature: no decimal figures

D

MWh & kW, m<sup>3</sup>, m<sup>3</sup>/h in 0 digit resolution;  
Temperature: no decimal figures

E

GJ & kW, m<sup>3</sup>, m<sup>3</sup>/h in 2 digit resolution; Temperature:  
no decimal figures

H

GJ & kW, m<sup>3</sup>, m<sup>3</sup>/h in 1 digit resolution;  
Temperature: no decimal figures

J

GJ & kW, m<sup>3</sup>, m<sup>3</sup>/h in 0 digit resolution;  
Temperature: no decimal figures

K

Gcal & kW, m<sup>3</sup>, m<sup>3</sup>/h in 2 digit resolution;  
Temperature: no decimal figures

M

Gcal & kW, m<sup>3</sup>, m<sup>3</sup>/h in 1 digit resolution;  
Temperature: no decimal figures

N

Gcal & kW, m<sup>3</sup>, m<sup>3</sup>/h in 0 digit resolution;  
Temperature: no decimal figures

P

MBTU & MBTU/h, m<sup>3</sup>, m<sup>3</sup>/h in 2 digit resolution;  
Temperature: no decimal figures

Q

MBTU & MBTU/h, m<sup>3</sup>, m<sup>3</sup>/h in 1 digit resolution;  
Temperature: no decimal figures

R

MBTU & MBTU/h, m<sup>3</sup>, m<sup>3</sup>/h in 0 digit resolution;  
Temperature: no decimal figures

S

#### Verification/Approval

Without type approval mark, neutral label (standard)

0

With MID type approval mark (only for heating combinations, selection "A, B, E and F")

1

With MID approval mark and first MID verification (only for heating, selection A, B, E and F")

2

Cooling approval mark, German national cooling approval according PTB-TR-K7.2 (only for cooling and media water, selection "C and D")

7

Cooling approval mark, German national cooling approval according PTB-TR-K7.2 and first verification (only for cooling and media water, selection "C and D")

8

#### Further designs

Order code

Please add "-Z" to Article No. and specify Order code

#### Certificate

Always included

Including factory test report (certificate) of FUE950

#### Cooling, setup for non water

Water/glycol setting for media type "Tyfocor LS (R)" (only with neutral label, no verification and approval)

C02

#### Optional settings/programming

Tariff function settings (specify in clear text, up to max. 20 characters)

D02

Pulse output setting of option module (specify in clear text, up to max. 20 characters)

D06

Pulse input setting of option module (specify in clear text, up to max. 20 characters)

D08

Pulse input setting of 4 ... 20 mA option module (please specify 20 mA related type and value in clear text, up to max. 20 characters)

D10

#### Special display units

Flow in 'GPM' and Volume in 'gal' (x100) (digits/resolution as selected above, only with 0 digit resolution)

L05

Temperature in deg. F (digit resolution as selected above)

L31

#### Flowmeter SITRANS FUE950 operating instructions, accessories and spare parts

#### Operating instructions

- English

A5E003424739

This device is shipped with Safety Notes and a DVD containing further SITRANS F US literature.

All literature is available to download for free, in a range of languages, at <http://www.siemens.com/processinstrumentation/documentation>

#### Accessories

Infrared optical head (Bluetooth type) for data acquisition & programming of FUE950

A5E02611768

Bracket for SITRANS FUE950 wall mounting (20 pcs.)

A5E02611769

Cable for data acquisition via RS 232 PC/D-sub 9F/3 wire

A5E02611774

#### Spare parts

#### Add-on modules for FUE950 (only for 7ME348 versions)

Pulse input module (2 inputs)

A5E03461432

Pulse output module (2 outputs)

A5E03461436

Combined pulse in-/output module (2 inputs and 1 output)

A5E03461437

RS232 module (M-Bus protocol)

A5E03461459

RS485 module (M-Bus protocol)

A5E03461512

M-Bus output module

A5E03461516

Combined current output module, 2 x passive 4 ... 20 mA

A5E03461583

Connection set for option modules (types: Pulse, RS 232/RS 485, M-Bus, mA) (special connection cable with 2 plugs)

A5E03461585

#### Power supply for FUE950 (only for 7ME348 versions)

3.6 V D-cell battery for SITRANS FUE950

A5E03461708

230 V AC supply module (incl. internal fuse T50 mA L 250 V and back-up battery) for SITRANS FUE950

A5E03461717

24 V AC supply module for SITRANS FUE950, incl. back-up battery

A5E03461719

#### Pocket for temperature sensors Pt500 (for related 4-wire Pt500 type only, 1 pc.)

Stainless steel pocket (1 pc.), 135 mm length for 6 mm sensor diameter, max. PN 40 and max. 5 m/s (recommended for 140 mm sensor length).

A5E03462868

Stainless steel pocket (1 pc.), 225 mm length for 6 mm sensor diameter, max. PN 40 and max. 5 m/s (recommended for 230 mm sensor length).

A5E03462870

#### Pt500 4-wire temperature sensor pair (as spare part), with MID MI004 and PTB K7.2 approvals and verification (for related 4-wire sensor pocket types only)

Pt500 sensor pair (6/140 mm), 4-wire with 5 m connection cable, 6 mm sensor diameter and 140 mm sensor length. MID approved DE-06-MI004-PTB011, PTB approved 22.77/09.01 (mentioned approvals are only valid if temp. sensors are used with the applicable temperature sensor pockets).

A5E03462872

Pt500 sensor pair (6/230 mm), 4-wire with 5 m connection cable, 6 mm sensor diameter and 230 mm sensor length. MID approved DE-06-MI004-PTB011, PTB approved 22.77/09.01 (mentioned approvals are only valid if temp. sensors are used with the applicable temperature sensor pockets).

A5E03462878

#### FUE950 enclosure (only for 7ME348 versions)

Bottom part of FUE950 enclosure (1 pc.)

A5E03461508

Snap fit for FUE950 enclosure (1 pc.)

A5E03461731



#### Dimensional drawings (continued)

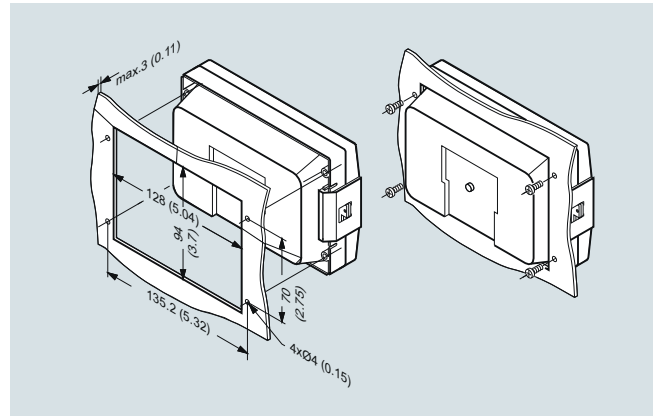
##### Pocket for Pt500 temperature sensors (for corresponding 2-wire Pt500 types only; 1 pc.)

Brass pocket 6 mm, G½B x 40 mm (PN 16), 1 pc.	A5E02611778
Brass pocket 6 mm, G½B x 85 mm (PN 16), 1 pc.	A5E02611779
Brass pocket 6 mm, G½B x 120 mm (PN 16), 1 pc.	A5E02611780
Stainless steel 6 mm, G½B x 85 mm (PN 25), 1 pc.	A5E02611781
Stainless steel 6 mm, G½B x 120 mm (PN 25), 1 pc.	A5E02611783
Stainless steel 6 mm, G½B x 155 mm (PN 25), 1 pc.	A5E02611792
Stainless steel 6 mm, G½B x 210 mm (PN 25), 1 pc.	A5E02611793

##### Pt500 temperature sensor pair, 2-wire cable, 6 mm sensor diameter, with MID/EN-approval (for corresponding 2-wire sensor pocket types only)

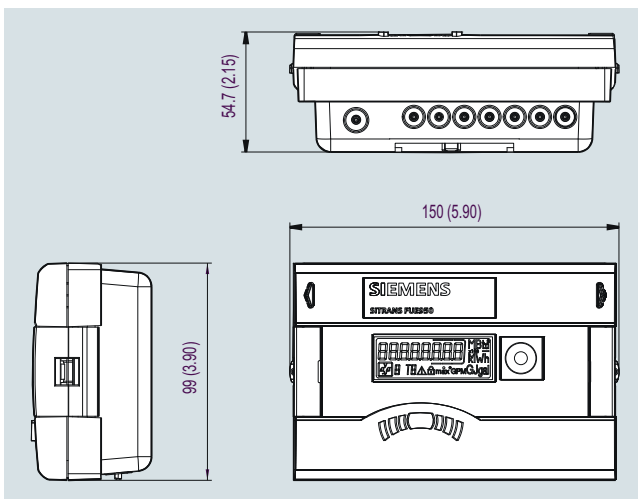
Cable length:

2 m	A5E02611794
3 m	A5E02611795
5 m	A5E02611796
10 m	A5E02611798

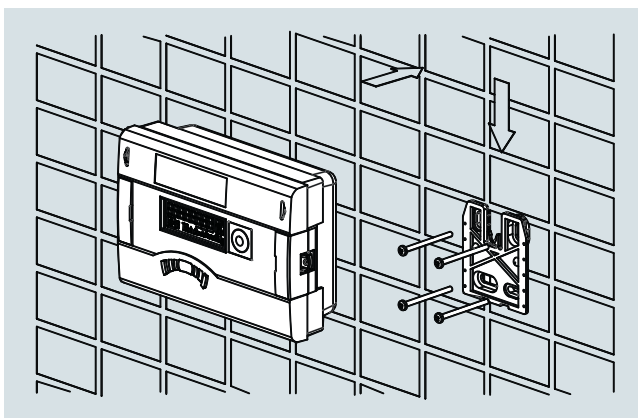


Panel mounting, dimensions in mm (inch)

#### Dimensional drawings



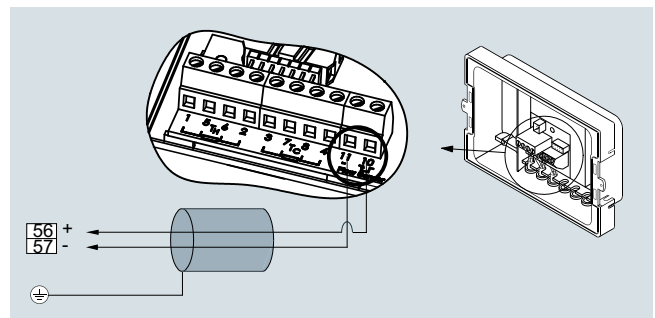
SITRANS FUE950, dimensions in mm (inch)



Wall mounting

#### Circuit diagrams

##### Electrical connection for SITRANS FUS380/FUE380/FUE950 and MAG 5000/6000/FUE950



The diagram shows the connection between SITRANS FUE950 (terminals 10 and 11) and FUS380/FUE380 and MAG 5000/6000 (terminals 56 and 57). Temperature sensors must be connected to terminals 5 (1) and 6 (2) ( $T_H$ ) and 7 (3) and 8 (4) ( $T_C$ ).

Note:

The right flowmeter pulse output value must be equal to the FUE950 pulse input value and must be checked via the user menu of the transmitter MAG 5000/6000 or nameplate of FUE380 or FUS380.

## Flow Measurement

### SITRANS FS (ultrasonic)

#### Inline ultrasonic flowmeters

#### SITRANS FUE950 energy calculator > Pt500 temperature sensor pairs

### Application

The temperature sensor set is designed for use with the Siemens energy calculator type SITRANS FUE950 for measurement of the energy consumption in a district heating or cooling net.

Temperature sensors are one of the integral components of every thermal energy meter in heating or cooling applications. They are used for determining temperature changes in fluids due to energy taken from or supplied to the loop. The temperature is thus measured by mounting temperature sensors upstream and downstream from the point where the exchange in the thermal energy of the system is.

To ensure an accurate measurement of the temperature difference according to MID (EN 1434) or PTB K7.2 the sensors are delivered as matched pairs.

By selection with the corresponding order code the Pt500 sensor pair sets can be delivered with heating approval or with approvals for combined heating/cooling applications.

### Technical specifications

#### Temperature sensor pairs

##### 2-wire Pt500

Pt500 2-wire temperature sensor pair (EN 1434)	
Measuring insert	Pt500 temperature sensor, EN 60751, tolerance class B, 2-wire
Pairing	Paired to EN 1434 (10 ... 130 °C/14 ... 266 °F)
Media temperature	0 ... 150 °C (32 ... 302 °F)
Response time $T_{0.5}$	See sensor pocket specifications
Medium	Typically heating water
Pressure rating	See sensor pocket specifications
Protection	IP65
Pipe material	AISI 304 Ti/1.4303
Dimension	Ø 6 mm
Sensor tube length	50 m
Cable length	Up to 10 m (32.8 ft), fixed connected silicon cable, 2 connection wire terminals, terminal sleeves to DIN 46228

##### 4-wire Pt500

Pt500 4-wire temperature sensor pair (with MID and PTB K7.2 approval)	
Measuring insert	Pt500 temperature sensor, EN 60751, tolerance class to ISO 751 Class B; 4-wire
Pairing	Matched paired according to EN 1434 at 10, 75 and 140 °C (50, 167 and 284 °F)
Type approval	MID (DE-06-MI004-PTB011) and PTB K7.2 (PTB 22.77/09.01). Only to be mounted with related sensor pockets according to the type approvals.
Media temperature	0...150 °C (32 ... 302 °F)
Permissible temp. pair range for $\Delta T$	
• Heating	3 ... 150 K
• Cooling	3 ... 85 K
Medium	Approved for heating/cooling water
Protection	IP65
Environment	
• Meachnic class	M3
• Electromagnetic class	E1 (MID)
Pressure rating	See sensor pocket specifications
Material	
• Protective tube	Stainless steel AISI 304Ti/1.4571 (or similar), diameter of protective tube: 6 mm
• Connector cable	Silicon cable, 4 connection wire terminals, terminal sleeves to DIN 46228
Sensor tube length	140 or 230 mm (5.51 or 9.06 inch)
Cable length	5 m (16.4 ft), fixed connected

#### Sensor pockets

Stainless steel sensor pocket (for 4-wire Pt500 types only - standard)	
Media temperature	0 ... 150 °C (32 ... 302 °F)
Approval	Approved only together with 4-wire sensors
Medium	Approved for heating/cooling water; up to max. 5 m/s flow velocity
Pressure rating	PN 40
Length	Face-to-face length 120/135 and 210/225 mm (4.72"/5.23" and 8.27"/8.86")
External diameter	Protective tube 8/11 mm (0.32"/0.43")
Internal diameter	Protective tube 6 mm (0.24")
Pipe connection	Thread G 1/2" (with sealing screw for sensor)
Material	Protective tube AISI 316Ti/1.4571 (or similar)
Use	<ul style="list-style-type: none"> <li>• Use with related 4-wire Pt500 sensors only (according type approval)</li> <li>• For flow velocities up to 5 m/s</li> <li>• Recommended to install with welded sleeve (according to EU standard)</li> </ul>

#### Stainless steel sensor pocket (for 2-wire Pt500 types only, some only available as spare parts)

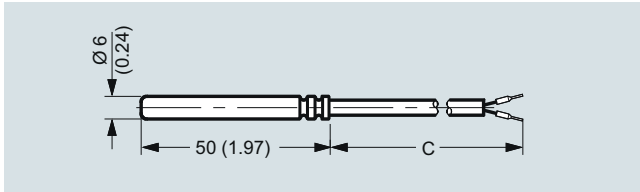
Media temperature	0 ... 180 °C (32 ... 356 °F)										
Medium	Approved for heating water										
Response time $T_{0.5}$	Typically 13 s at 0.4 m/s without pasta Typically 5 s at 0.4 m/s with pasta										
Pressure rating	PN 25										
Length	<table border="1"> <tr> <td>L1 (mm)</td> <td>92</td> <td>127</td> <td>168</td> <td>223</td> </tr> <tr> <td>L (mm)</td> <td>82</td> <td>117</td> <td>155</td> <td>210</td> </tr> </table>	L1 (mm)	92	127	168	223	L (mm)	82	117	155	210
L1 (mm)	92	127	168	223							
L (mm)	82	117	155	210							
Material	Stainless steel: AISI 316Ti/1.4571										
Use	For 2-wire Pt500 types only										

#### Brass sensor pocket (for 2-wire Pt500 types only, some only available as spare part)

Media temperature	0 ... 150 °C (32 ... 302 °F)								
Medium	Approved for heating water								
Response time $T_{0.5}$	Typically 9 s at 0.4 m/s without pasta Typically 5 s at 0.4 m/s with pasta								
Pressure rating	PN 16								
Length	<table border="1"> <tr> <td>L1 (mm)</td> <td>47</td> <td>92</td> <td>127</td> </tr> <tr> <td>L (mm)</td> <td>40</td> <td>82</td> <td>117</td> </tr> </table>	L1 (mm)	47	92	127	L (mm)	40	82	117
L1 (mm)	47	92	127						
L (mm)	40	82	117						
Material	Brass: CuZn <sub>40</sub> Pb <sub>2</sub> (Ms58)								
Use	For 2-wire Pt500 types only								

**Dimensional drawings**

**Pt500 2-wire temperature sensor pair (EN 1434)**

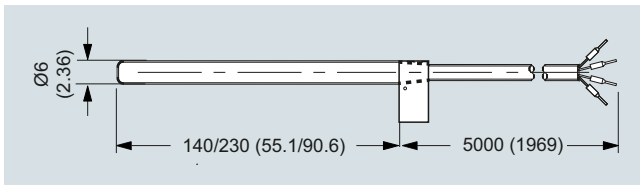


Pt 500 2-wire temperature sensor, dimensions in mm (inch)

**Pt500 temperature sensor pair (EN 1434)**

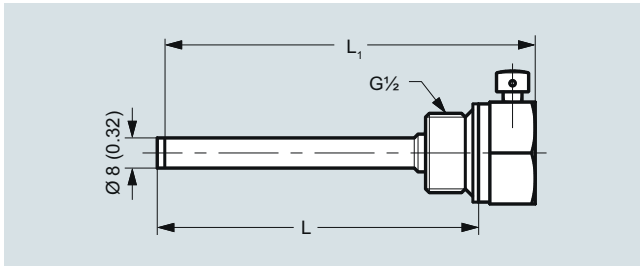
Cable length 2, 3, 5 or 10 m ('C' at the dimensional drawing)

**Pt500 4-wire temperature sensor pair (with MID and PTB K7.2 approval)**



Pt500 4-wire temperature sensor, dimensions in mm (inch)

**Stainless steel sensor pocket (for 2-wire Pt500 types only, some only available as spare parts)**

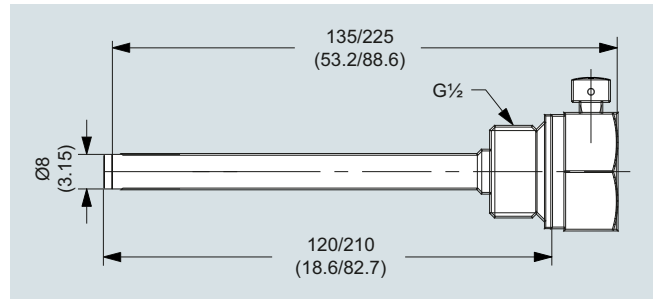


Sensor pocket (for 2-wire Pt500 types only), stainless steel, dimensions in mm (inch)

**Stainless steel sensor pocket (for 2-wire Pt500 types only)**

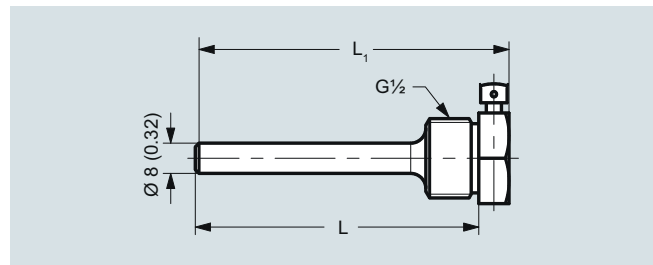
Length	L1 (mm)	92	127	168	223
	L (mm)	82	117	155	210

**Stainless steel sensor pocket (for 4-wire Pt500 types only - standard)**



Stainless steel sensor pocket, dimensions in mm (inch)

**Brass sensor pocket (for 2-wire Pt500 types only, some only available as spare part)**



Sensor pocket, brass (for 2-wire Pt500 types only), dimensions in mm (inch)

**Brass sensor pocket for 2-wire Pt500 types only)**

Length	L1 (mm)	47	92	127
	L (mm)	40	82	117