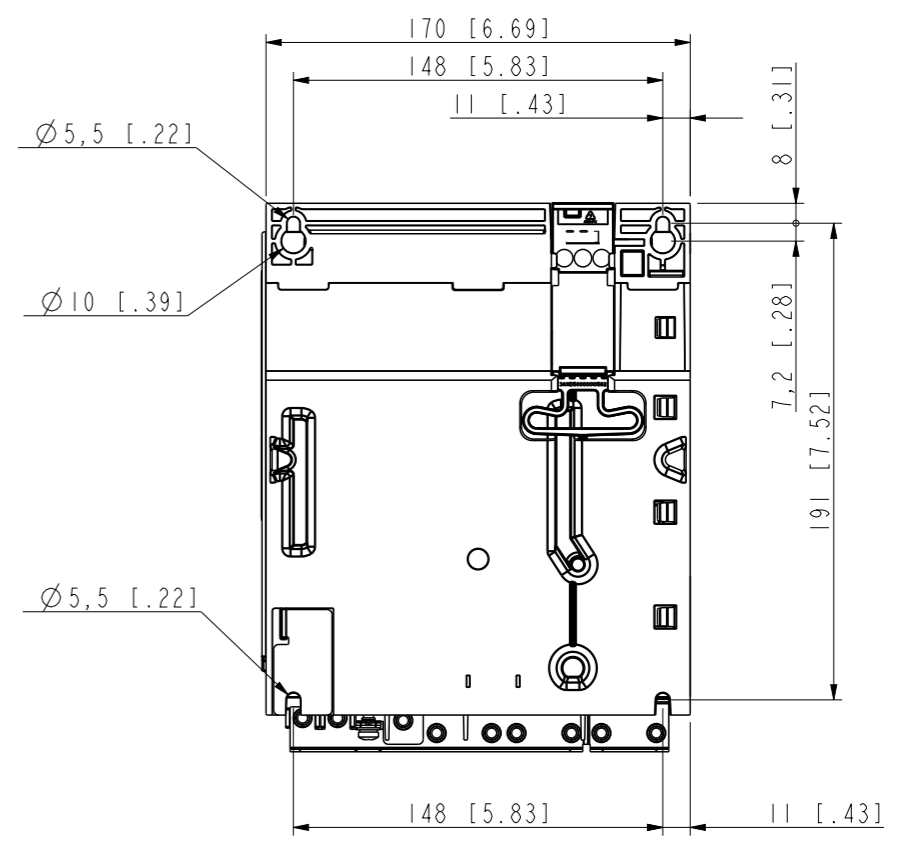
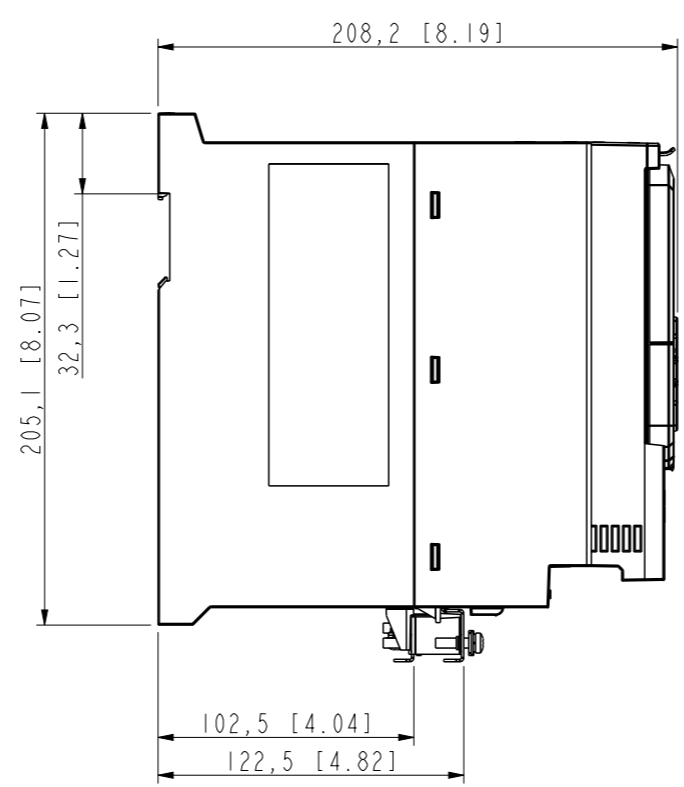
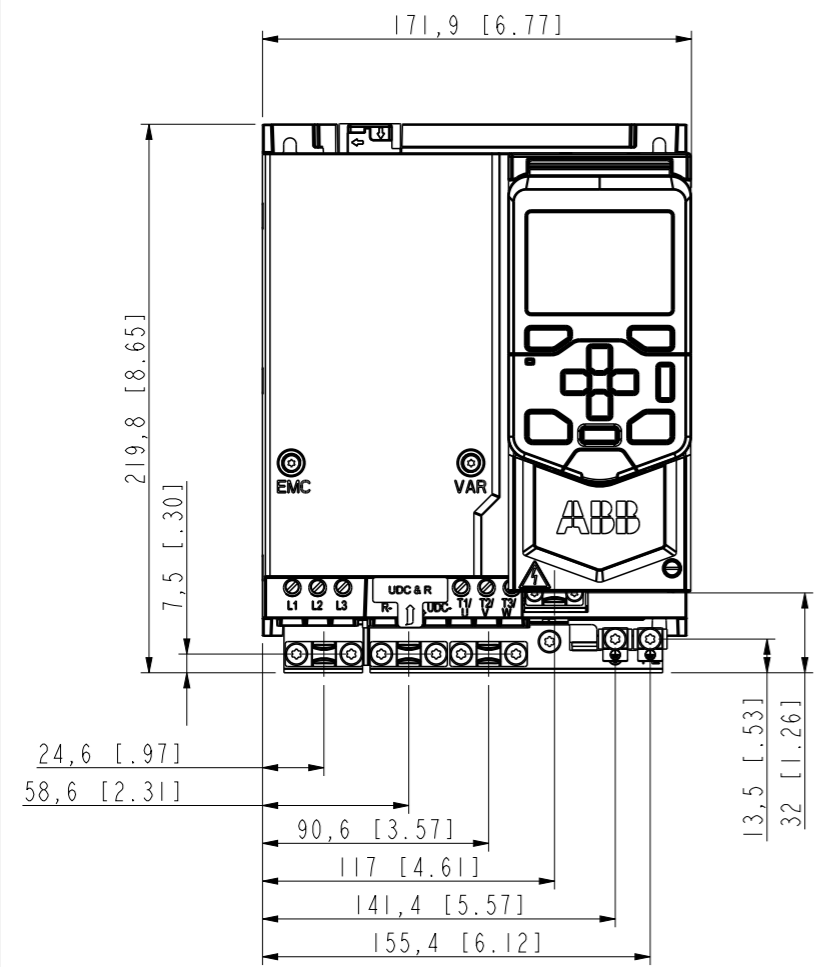
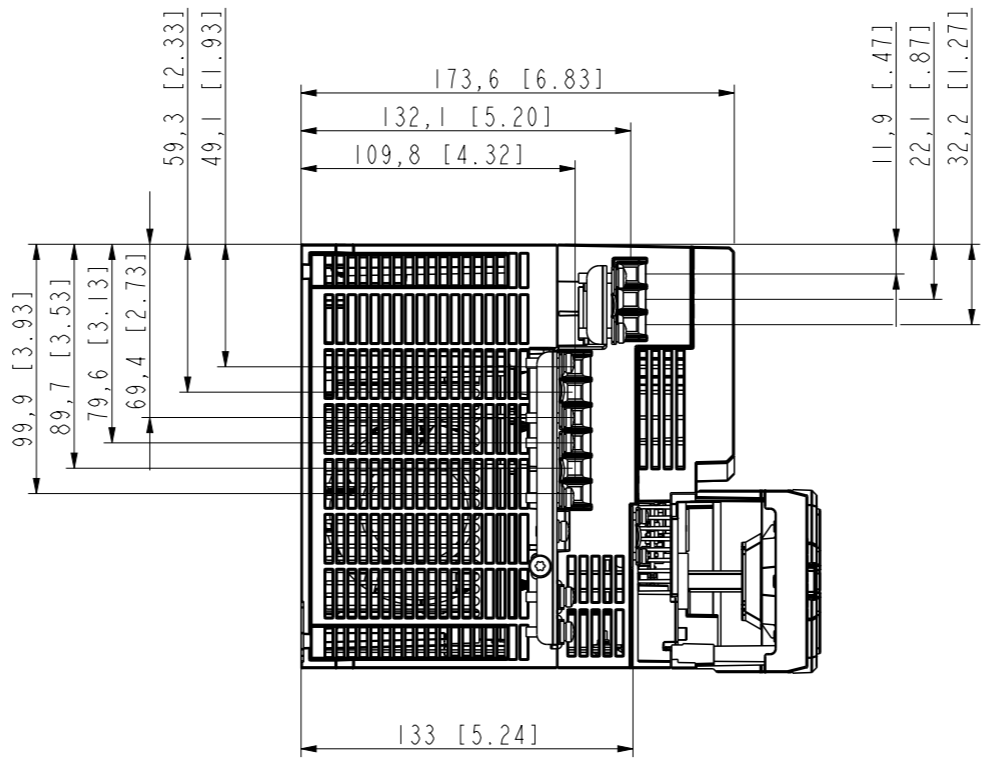


3AXD50000168217	C.6+	We reserve all rights in this document and in the information contained therein. Reproduction, use or disclosure to third parties without express authority is strictly forbidden. © ABB Oy. PROPRIETARY AND SECRET INFORMATION. CONFIDENTIAL			
ACS480_R3_400V (ASSEM)	-1.11				
B	Added sheet for UL Type I		19-Feb-18	A.Piirainen	50000920461
C	Sheets for side option added.		08-Nov-18	A.Piirainen	500001054118

First angle projection. Original drawing made with 3D CAD. Set the correct scale factor when adding dimensions after DWG/DXF conversion.

Frame R3, IP20

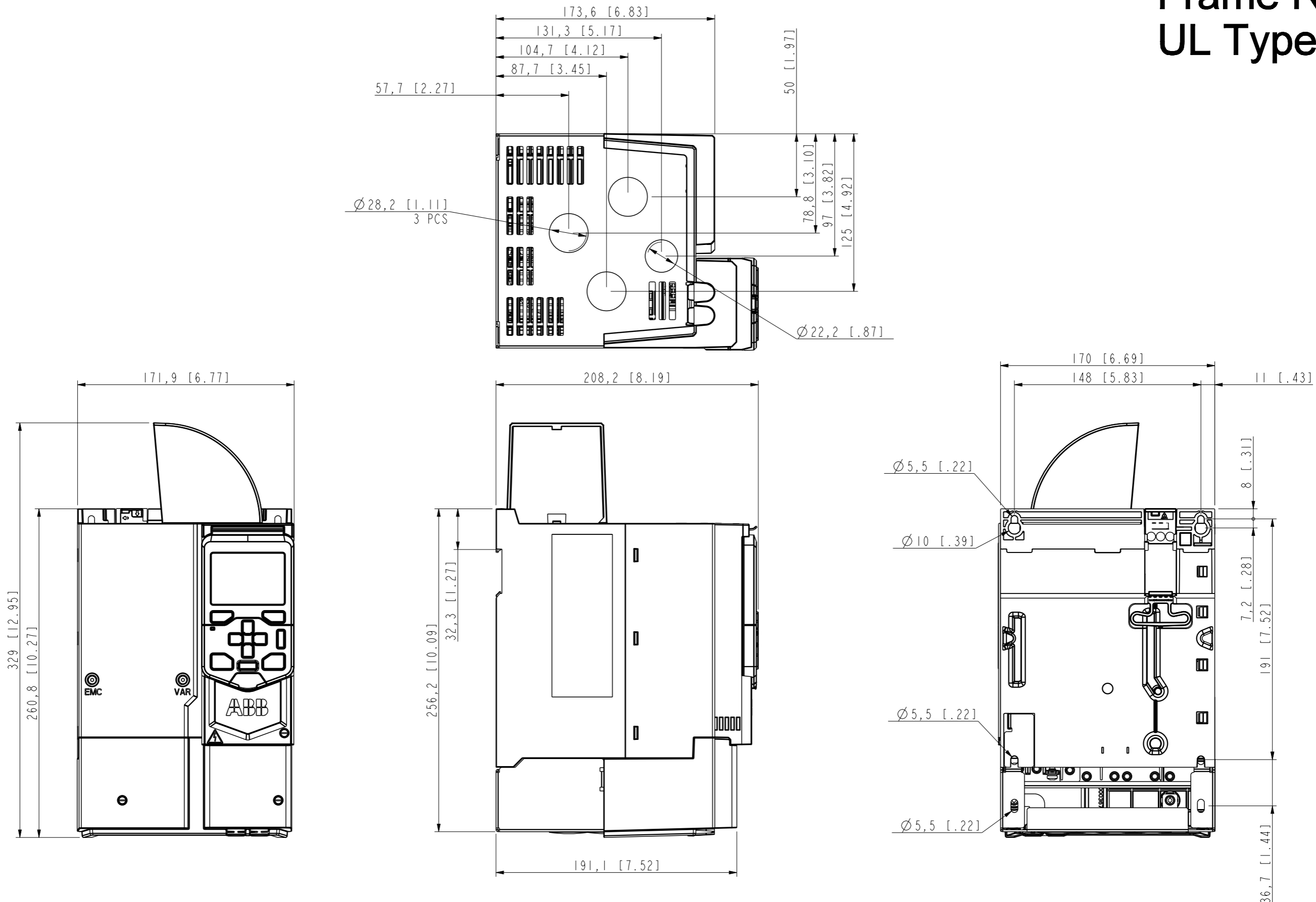


Based on	Prepared	A.Piirainen	01-Nov-17	Title	DIMENSION DRAWING	Doc. des.	DIMENSION DRAWING	Scale	33:100	Form	A3	
Customer	Check.	A.Tanczos	19-Feb-19		ACS/ACH480 R3	Resp.dept.	Rev.ind.	C (AP)	Lang.	EN		
	Appr.	H.Immonen	19-Feb-19		DIMENSION DRAWING	Doc. No.	3AXD50000168217	Sheet	1	Total	4	
Cust. Doc. No.	Project name											
DMS Number	3AXDI0000643433	Weight kg	3352438605.64									

3AXD50000168217	C.6+	We reserve all rights in this document and in the information contained therein. Reproduction, use or disclosure to third parties without express authority is strictly forbidden. © ABB Oy. PROPRIETARY AND SECRET INFORMATION. CONFIDENTIAL	19-Feb-18	A.Piirainen	50000920461
ACS480_R3_400V (ASSEM)	-1.11		08-Nov-18	A.Piirainen	500001054118
B	Added sheet for UL Type 1				
C	Sheets for side option added.				

First angle projection. Original drawing made with 3D CAD. Set the correct scale factor when adding dimensions after DWG/DXF conversion.

Frame R3, UL Type 1

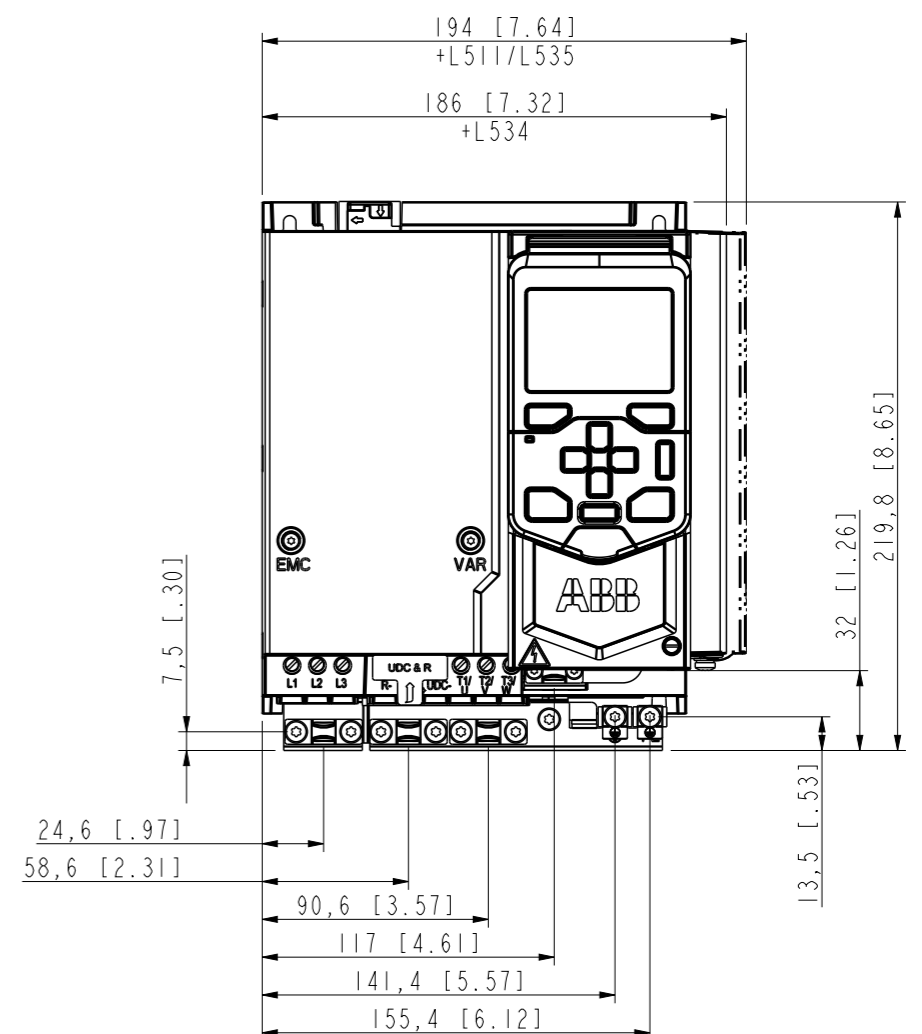
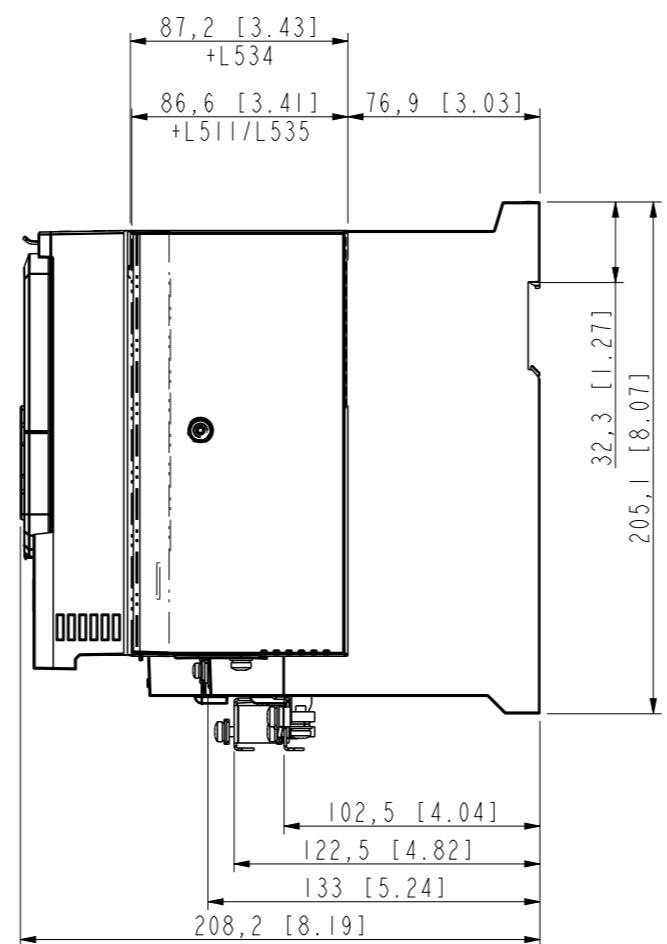
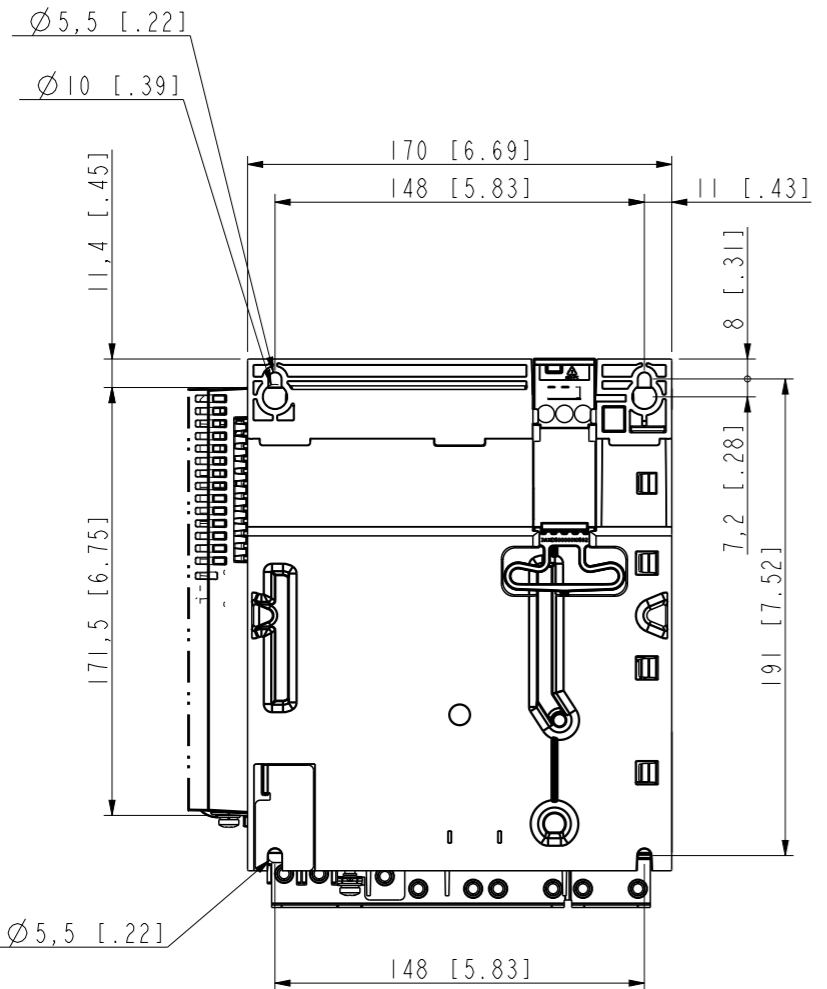
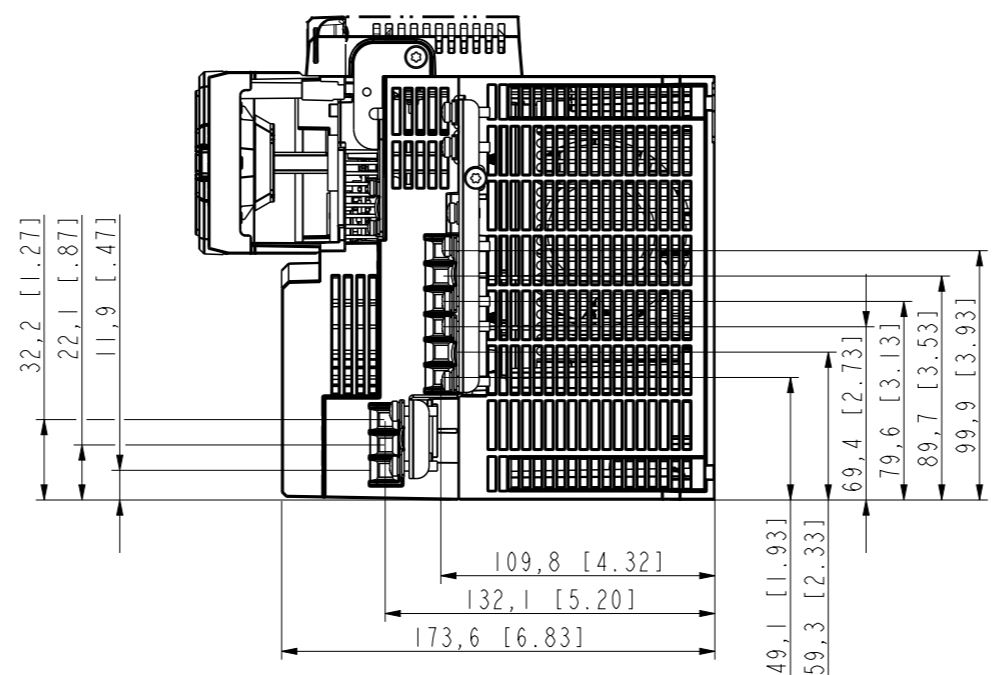


Based on	Prepared	A.Piirainen	01-Nov-17	Title	DIMENSION DRAWING	Doc. des.	DIMENSION DRAWING	Scale	33:100	Form	A3	
Customer	Check.	A.Tanczos	19-Feb-19		ACS/ACH480 R3	Resp.dept.	Rev.ind.	C (AP)	Lang.	EN		
	Appr.	H.Immonen	19-Feb-19		DIMENSION DRAWING	Doc. No.	3AXD50000168217	Sheet	2	Total	4	
Cust. Doc. No.	Project name											
DMS Number	3AXDI0000643433	Weight	kg									

3AXD50000168217	C.6+	We reserve all rights in this document and in the information contained therein. Reproduction, use or disclosure to third parties without express authority is strictly forbidden. © ABB Oy, PROPRIETARY AND SECRET INFORMATION, CONFIDENTIAL			
ACS480_R3_400V (ASSEM)	-1.11				
B	Added sheet for UL Type I		19-Feb-18	A.Piirainen	500000920461
C	Sheets for side option added.		08-Nov-18	A.Piirainen	500001054118

First angle projection. Original drawing made with 3D CAD. Set the correct scale factor when adding dimensions after DWG/DXF conversion.

Frame R3, IP20 +L511/L534/L535

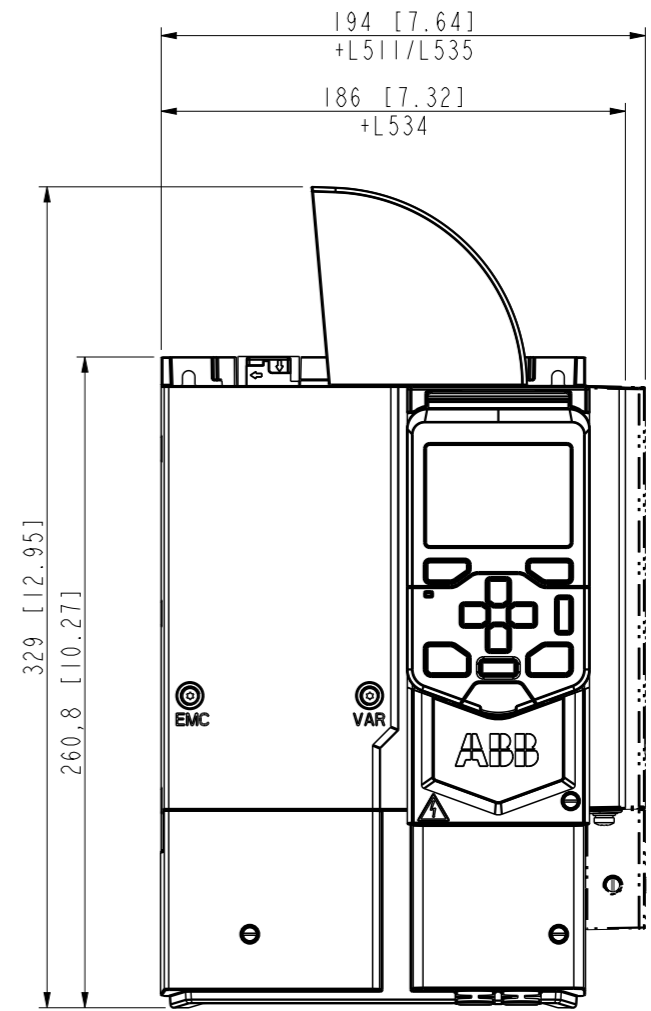
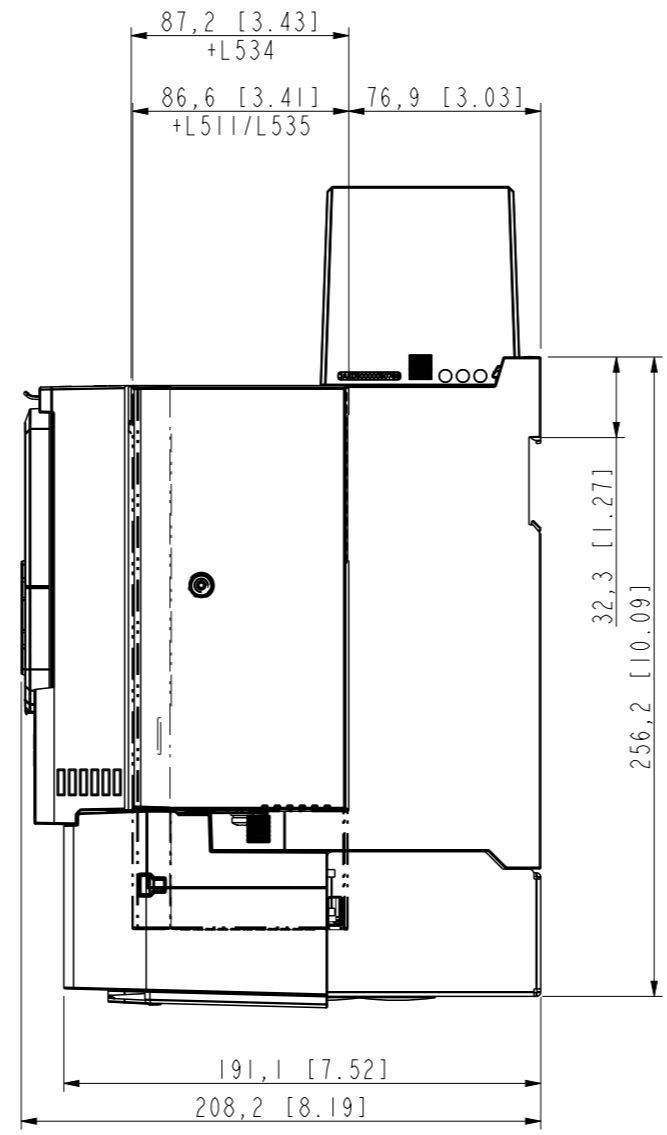
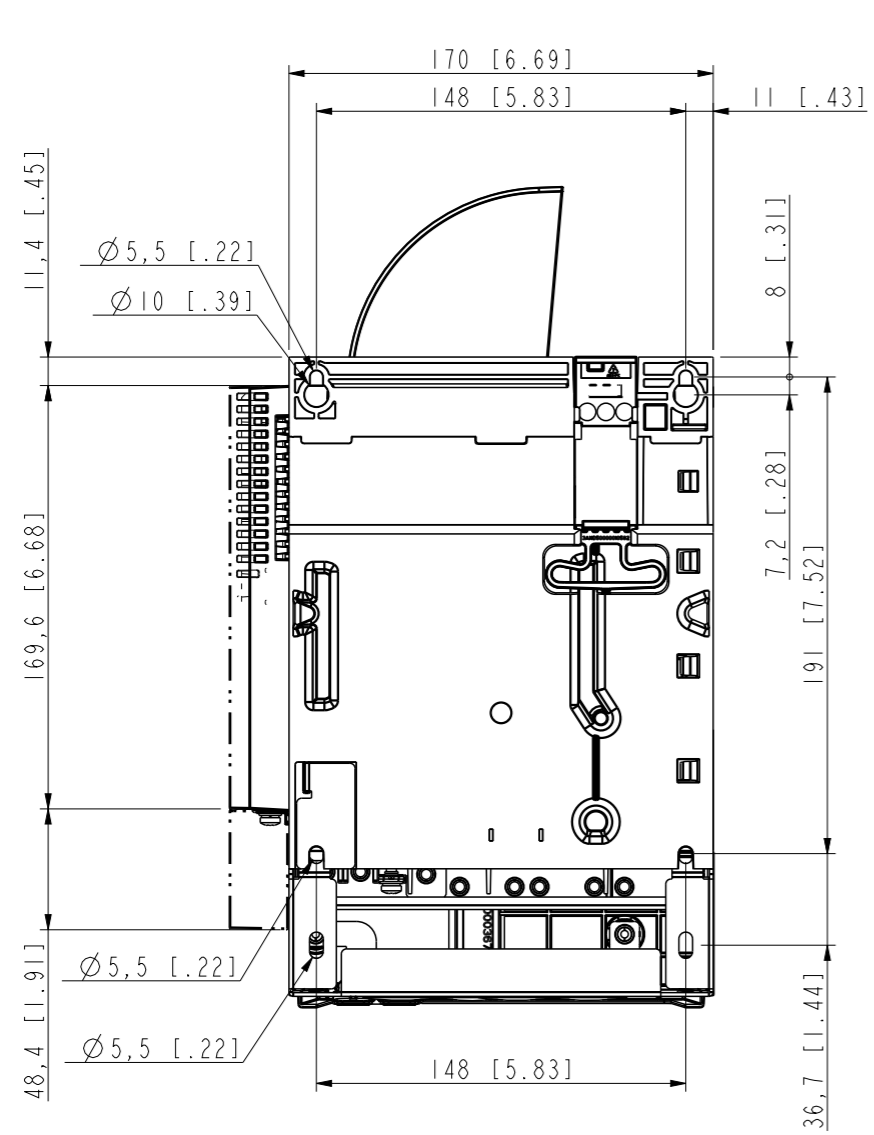
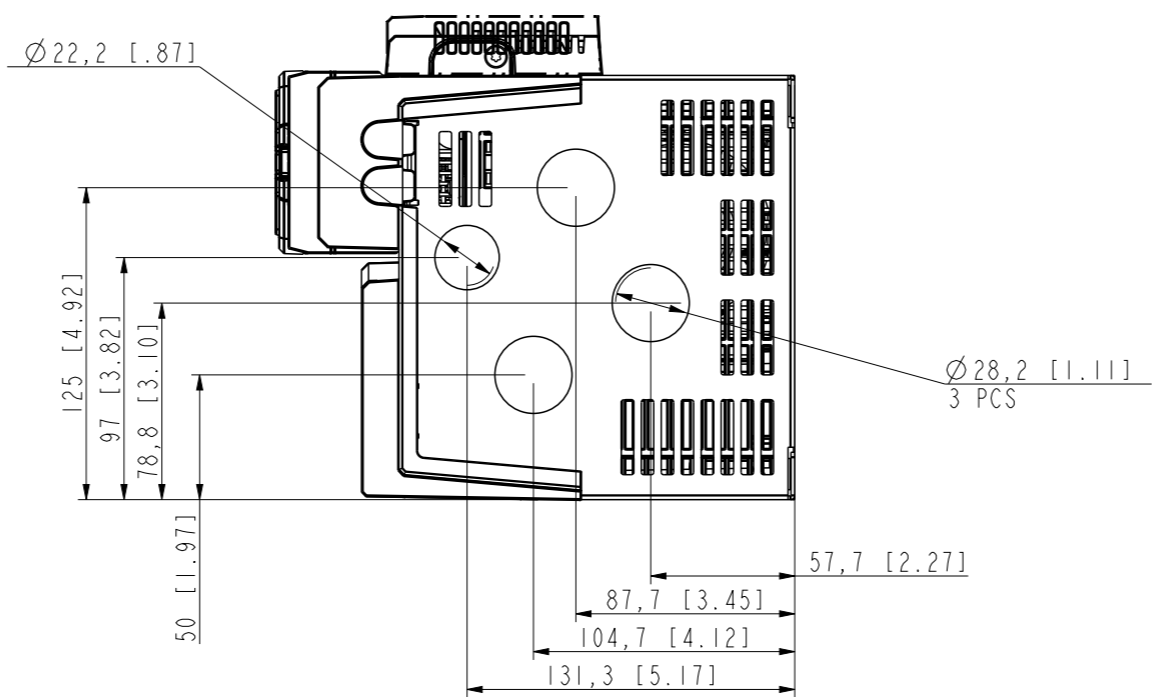


Based on	Prepared	A.Piirainen	01-Nov-17	Title	DIMENSION DRAWING	Doc. des.	DIMENSION DRAWING	Scale	33:100	Form	A3	
Customer	Check.	A.Tanczos	19-Feb-19		ACS/ACH480 R3	Resp.dept.	Rev.ind.	C (AP)	Lang.	EN		
	Appr.	H.Immonen	19-Feb-19		DIMENSION DRAWING	Doc. No.	3AXD50000168217		Sheet	3		
Cust. Doc. No.	Project name					Total	4					
DMS Number	3AXDI0000643433	Weight kg										

3AXD50000168217	C.6+	We reserve all rights in this document and in the information contained therein. Reproduction, use or disclosure to third parties without express authority is strictly forbidden. © ABB Oy. PROPRIETARY AND SECRET INFORMATION. CONFIDENTIAL	19-Feb-18	A.Piirainen	50000920461
ACS480_R3_400V (ASSEM)	-11		08-Nov-18	A.Piirainen	500001054118
B	Added sheet for UL Type 1				
C	Sheets for side option added.				

First angle projection. Original drawing made with 3D CAD. Set the correct scale factor when adding dimensions after DWG/DXF conversion.

Frame R3, UL Type 1 +L511/L534/L535



Based on	Prepared	A.Piirainen	01-Nov-17	Title	DIMENSION DRAWING	Doc. des.	DIMENSION DRAWING	Scale	33:100	Form	A3	
Customer	Check.	A.Tanczos	19-Feb-19		ACS/ACH480 R3	Resp.dept.	Rev.ind.	C (AP)	Lang.	EN		
	Appr.	H.Immonen	19-Feb-19		DIMENSION DRAWING	Doc. No.	3AXD50000168217	Sheet	4	Total	4	
Cust. Doc. No.	Project name											
DMS Number	3AXDI0000643433	Weight kg										