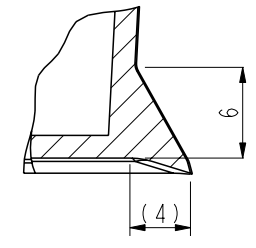
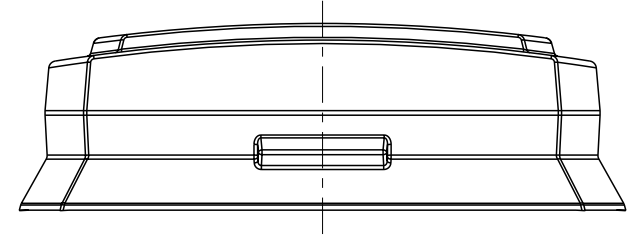
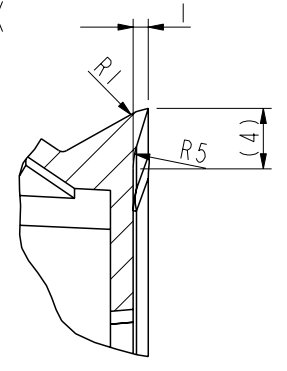
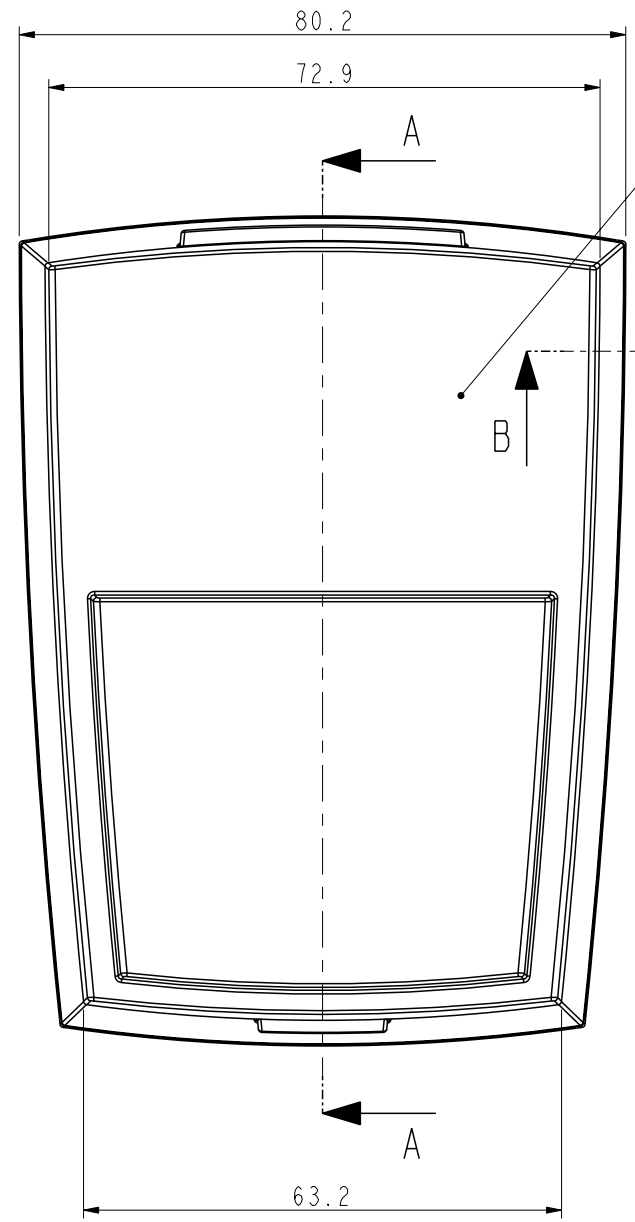
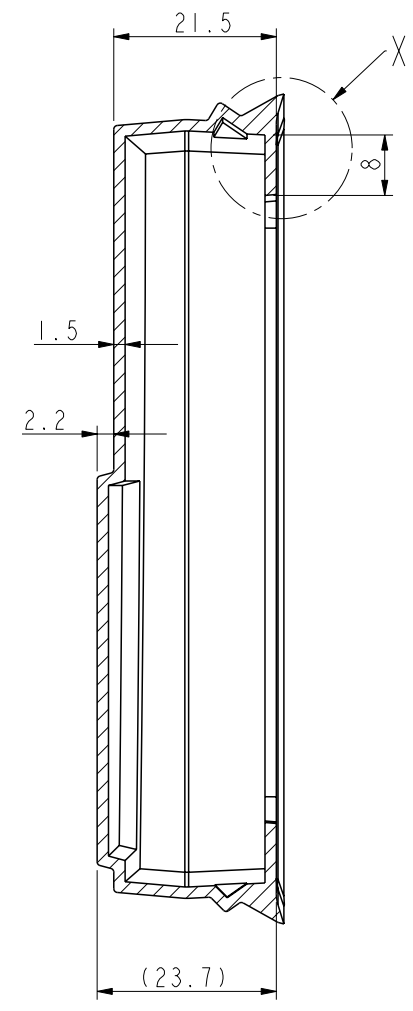
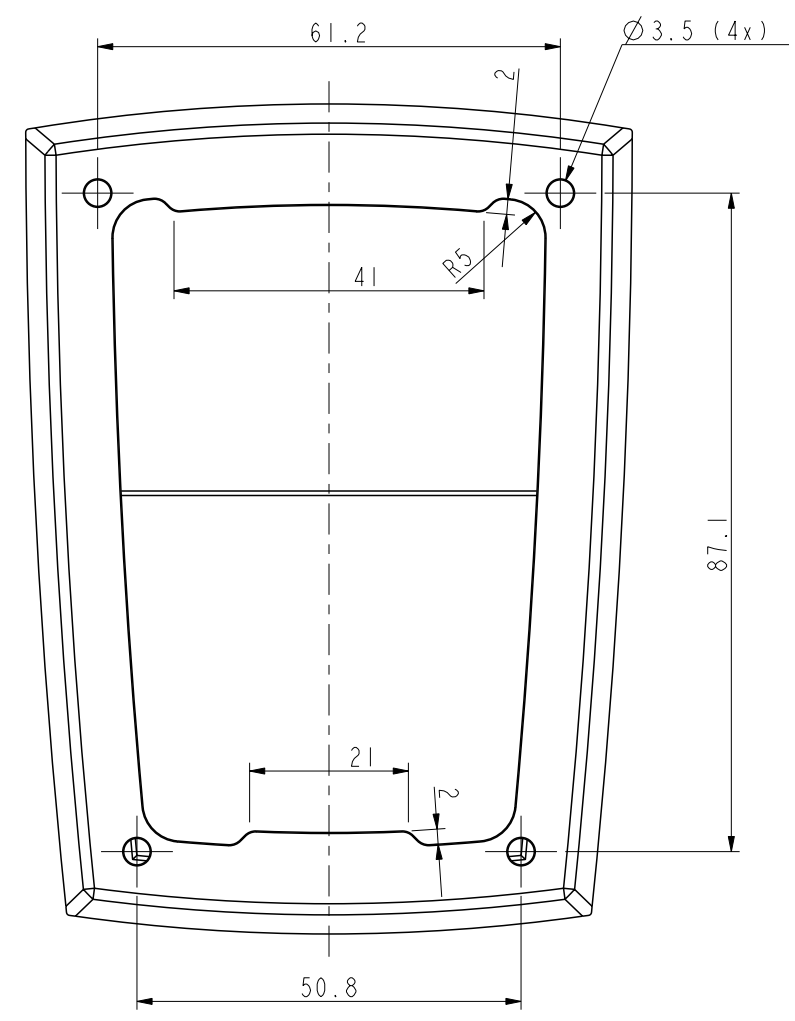


(Scale 1:2)

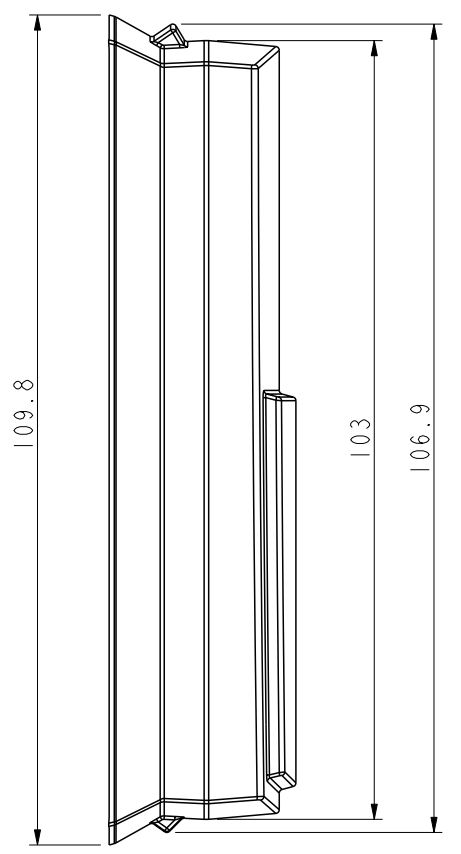
Detail X
 Scale 2:1



Section A-A



POLISHED THROUGHOUT TO ENABLE TRANSPARENCY



MATERIAL 1: Mar-Con material #2023 (TPE, transparent, partially FDA approved)
 MATERIAL 2:
 NOMINAL WALL THICKNESS: 1.5 mm

PART VOLUME: 26.9 cm³

Based on	Prepared V. Palojoki 03-Apr-06	Title PANEL IP66 CAP	Doc. des.	Scale 1:1	Form A3	
Customer	Check. Appr.	ACS550	DETAIL DRAWING	1:1	A3	
Cust. Doc. No.	Project name		Res. dept. EGC	Rev. ind. A.0	Lang. EN	
ABB Ref. No.		ABB DRIVES	Doc. No. 3AFE 68721059	Sheet 1	Total 1	