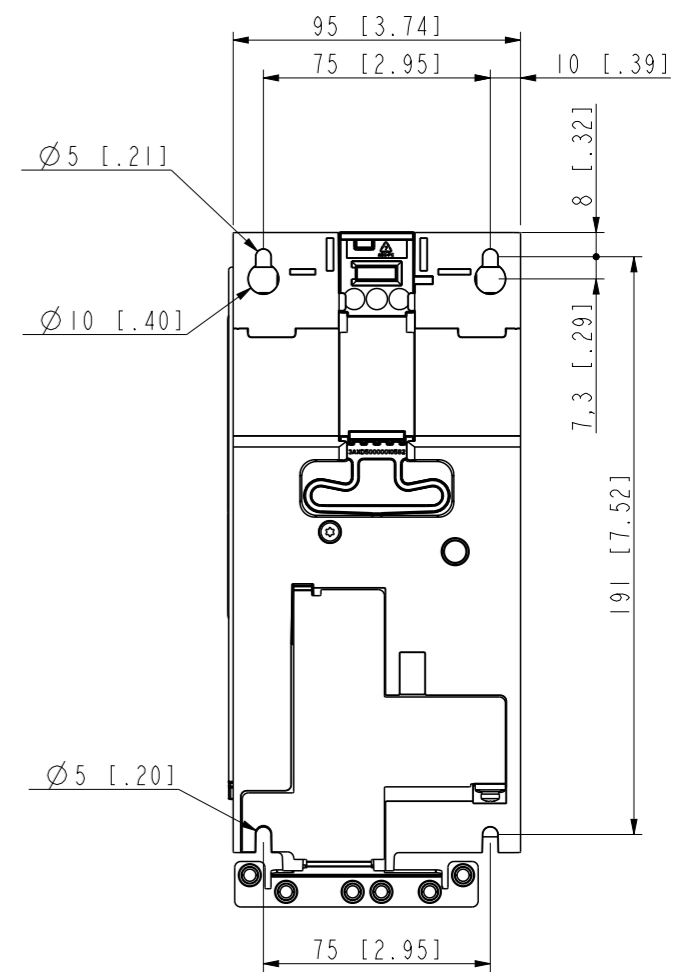
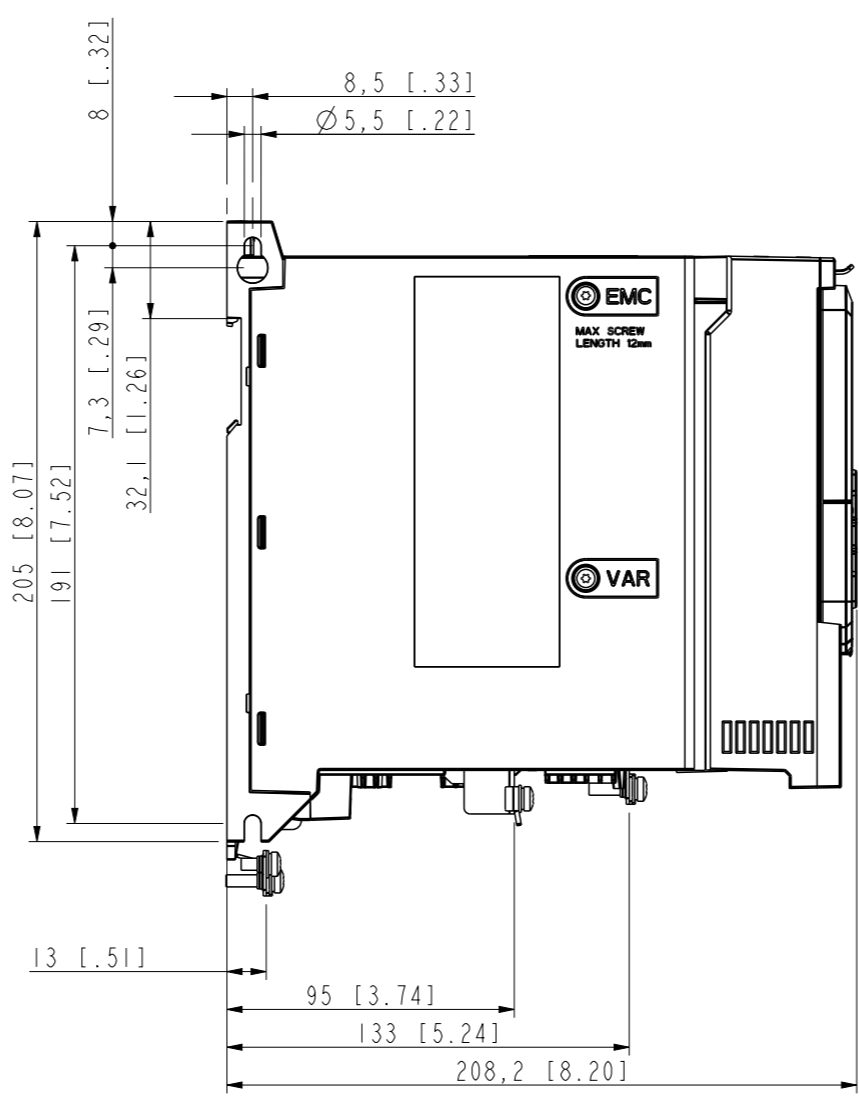
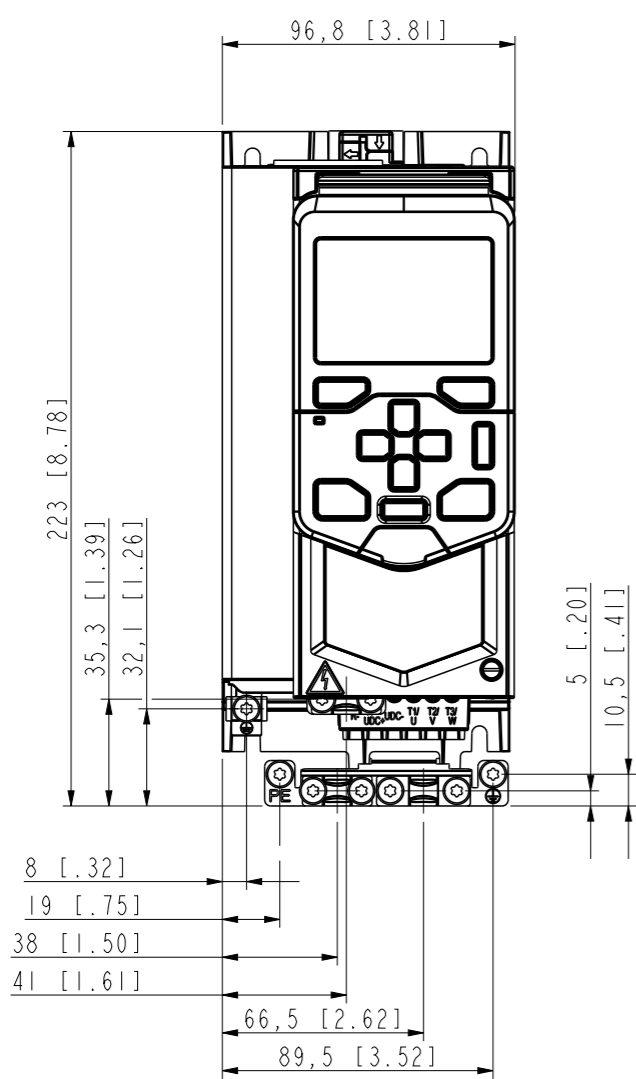
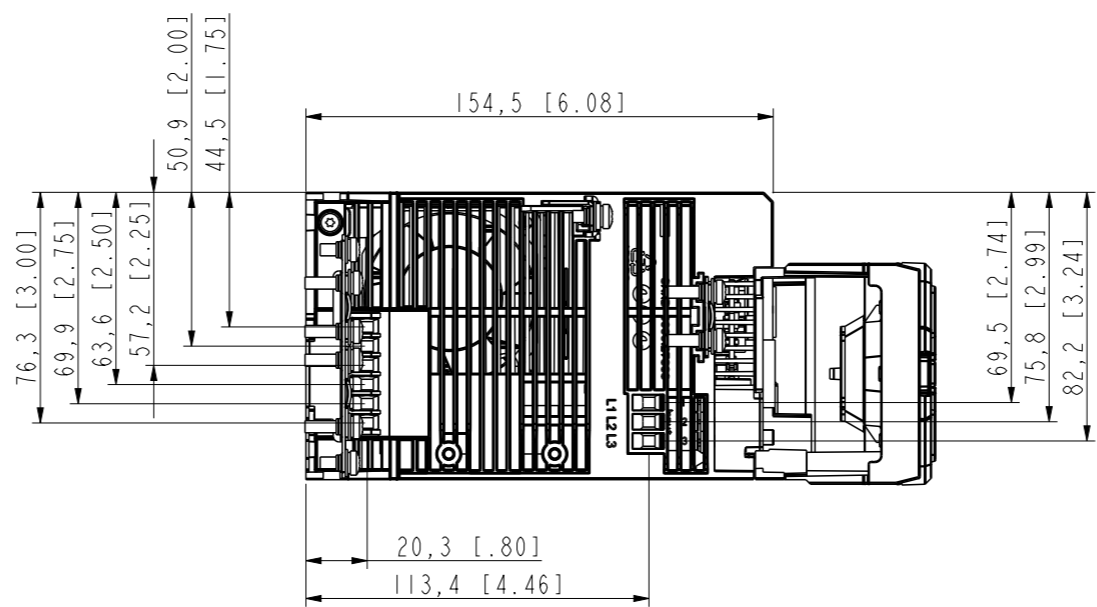


3AXD50000168071	C.6+	We reserve all rights in this document and in the information contained therein. Reproduction, use or disclosure to third parties without express authority is strictly forbidden. © ABB Oy. PROPRIETARY AND SECRET INFORMATION. CONFIDENTIAL		
B	Added sheet for UL Type I	19-Feb-18	A.Piirainen	500000921793
C	New sheets for side options	17-Jan-19	A.Tanczos	500001054118

First angle projection. Original drawing made with 3D CAD. Set the correct scale factor when adding dimensions after DWG/DXF conversion.

Frame R2, IP20

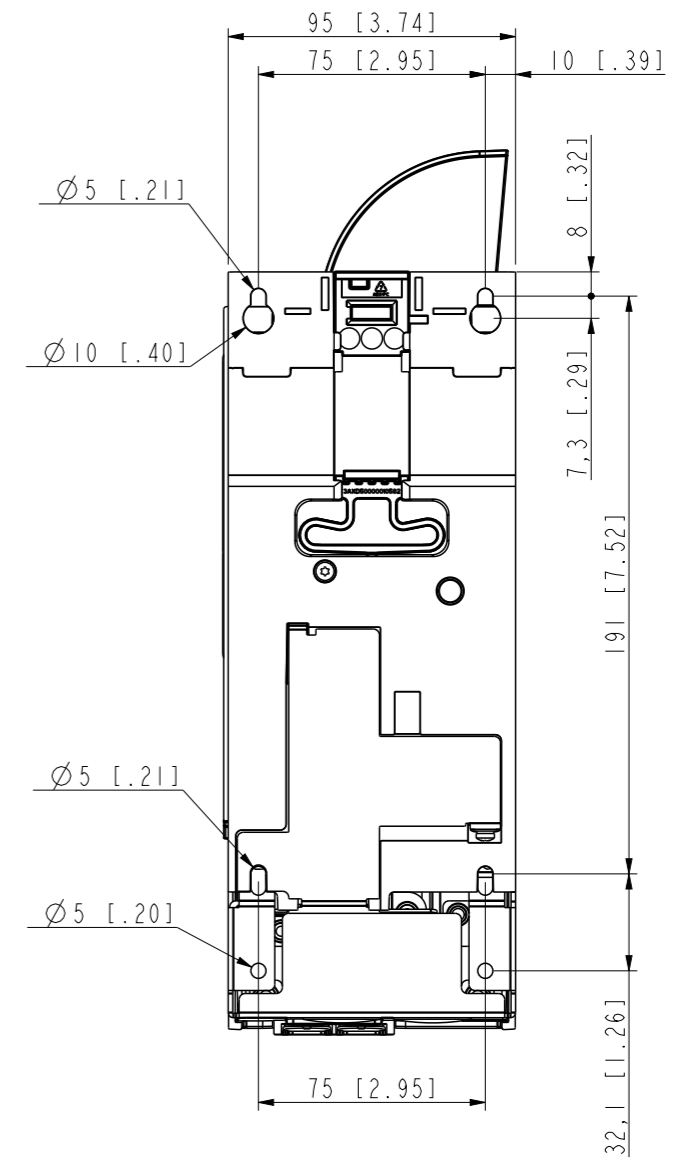
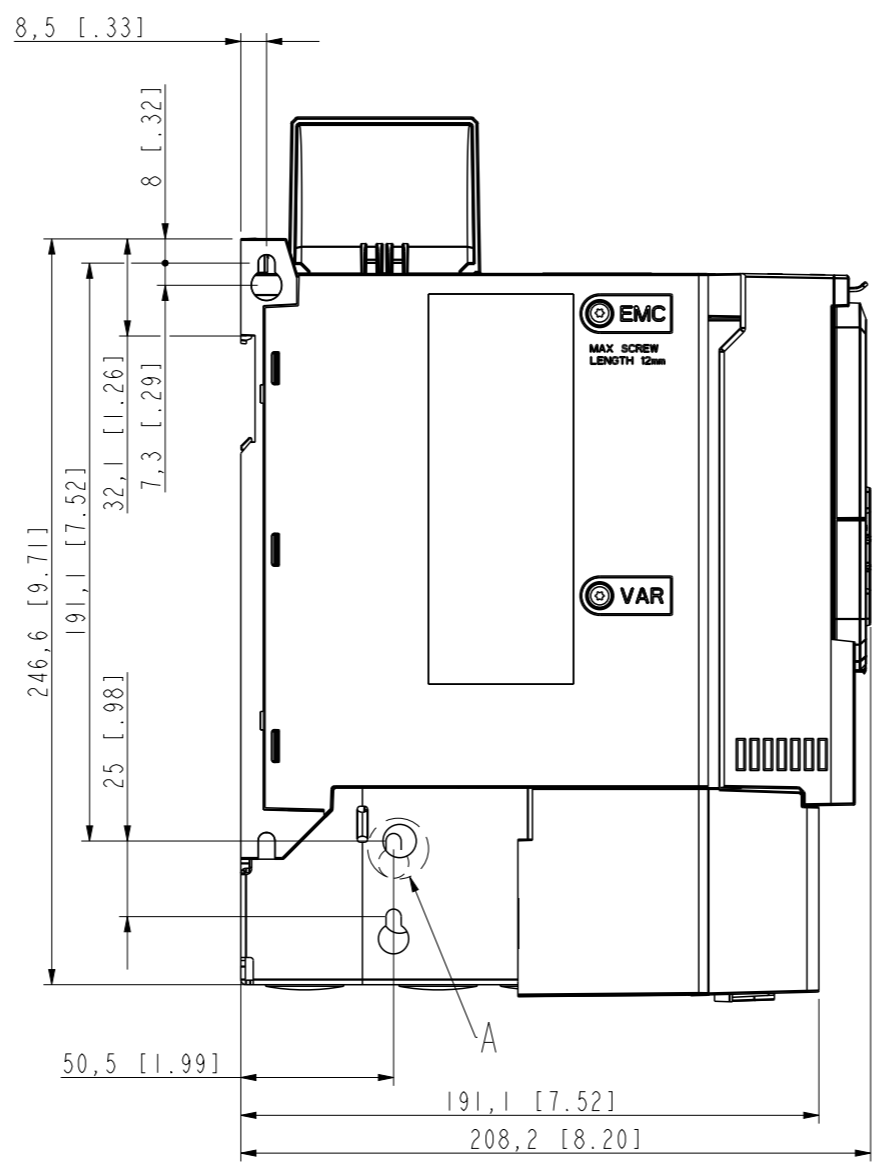
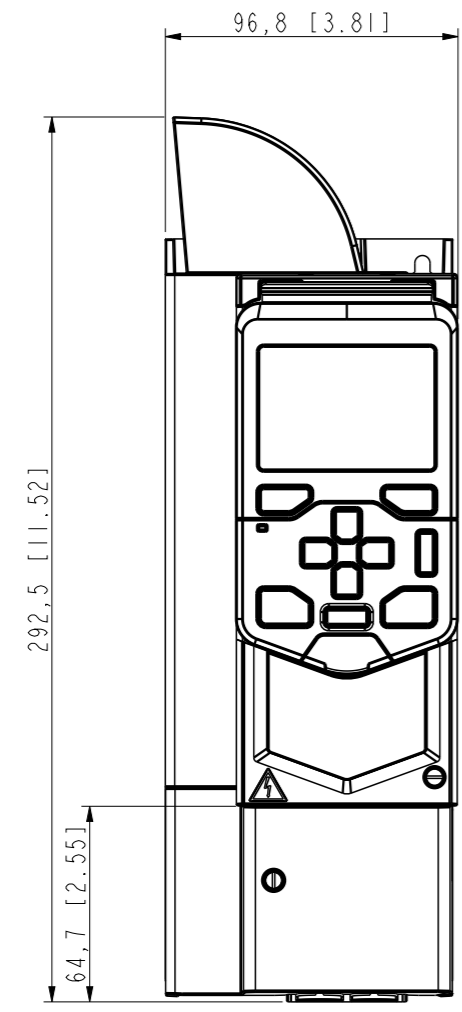
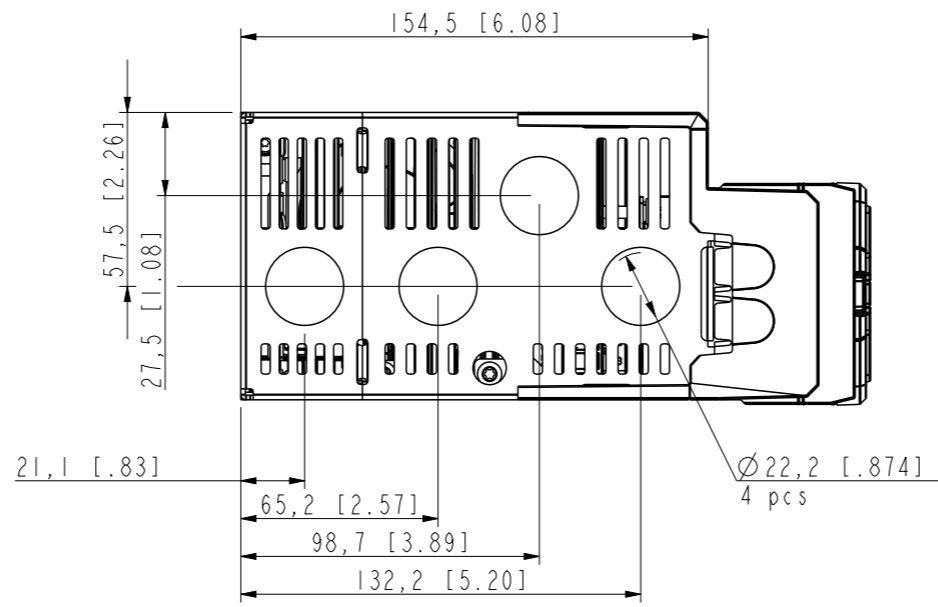
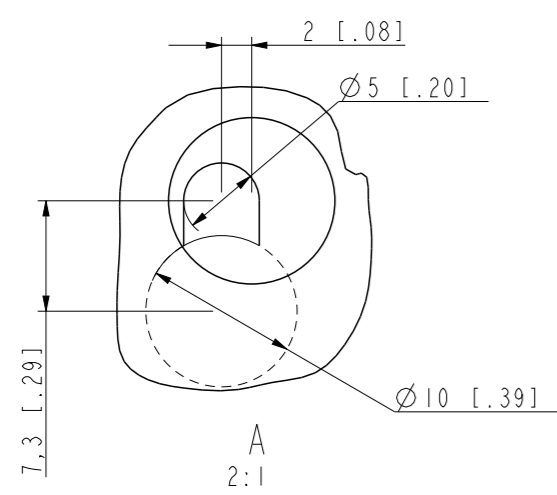


Based on	Prepared	A.Piirainen	01-Nov-17	Title	DIMENSION DRAWING	Doc. des.	DIMENSION DRAWING	Scale	1:2	Form	A3	
Customer	Check.	M.Valli	18-Jan-19		ACS/ACH480 R2 400V	Resp.dept.	Rev.ind.	C (AP)	Lang.	EN		
Cust. Doc. No.	Project name	A.Tanczos		18-Jan-19		Doc. No.	3AXD50000168071		Sheet	1		
DMS Number	Weight kg	3AXDI0000643370		Total		4						

3AXD50000168071 C.6+ We reserve all rights in this document and in the information contained therein. Reproduction, use or disclosure to third parties without express authority is strictly forbidden. First angle projection. Original drawing made with 3D CAD. Set the correct scale factor when adding dimensions after DWG/DXF conversion.

B	Added sheet for UL Type 1	19-Feb-18	A.Piirainen	500000921793
C	New sheets for side options	17-Jan-19	A.Tanczos	500001054118

Frame R2 UL Type 1

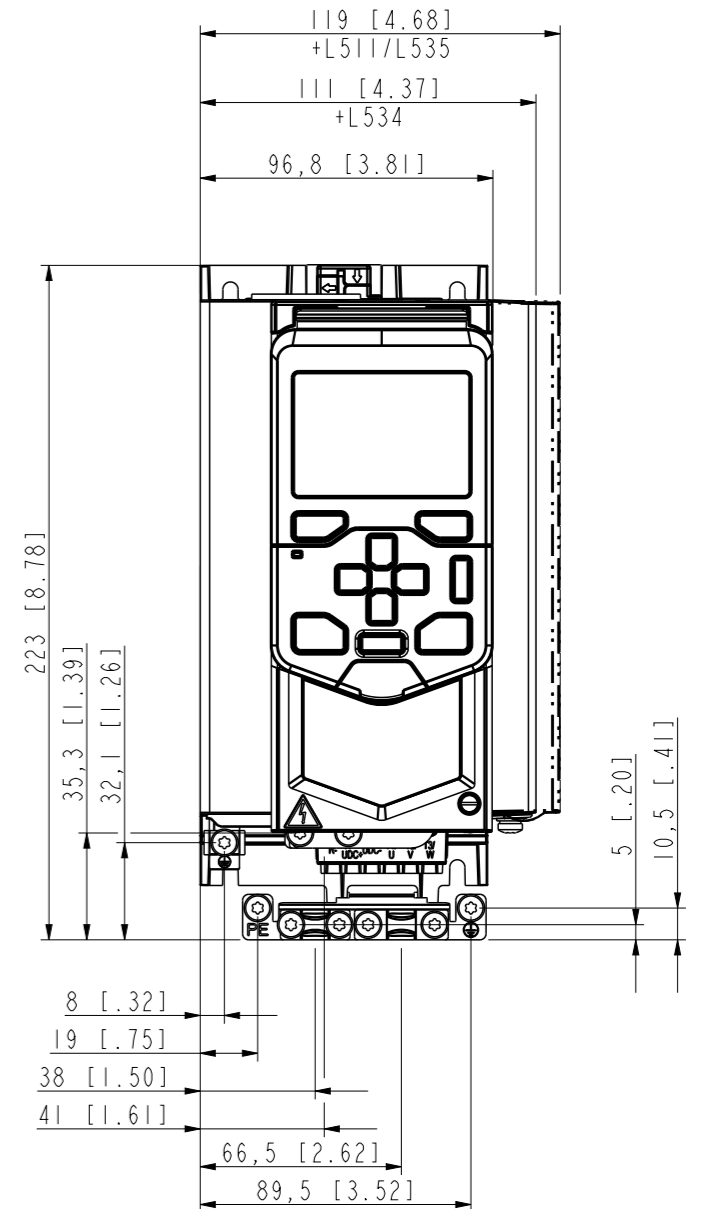
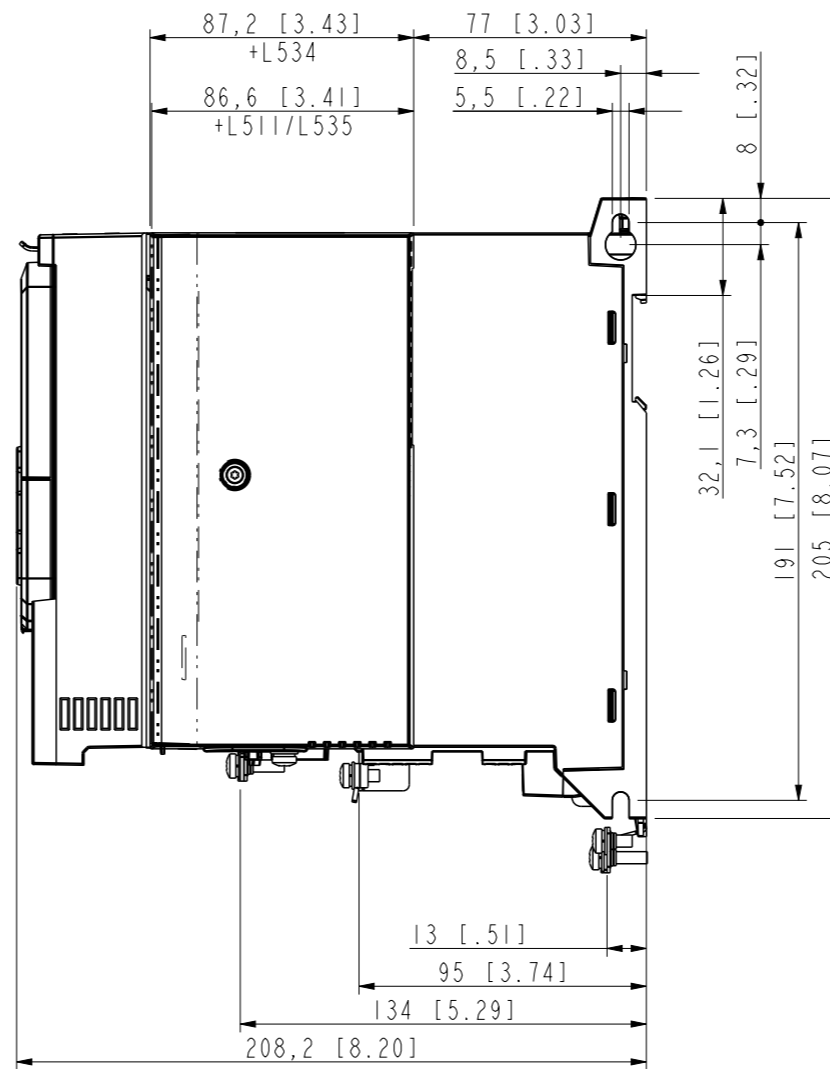
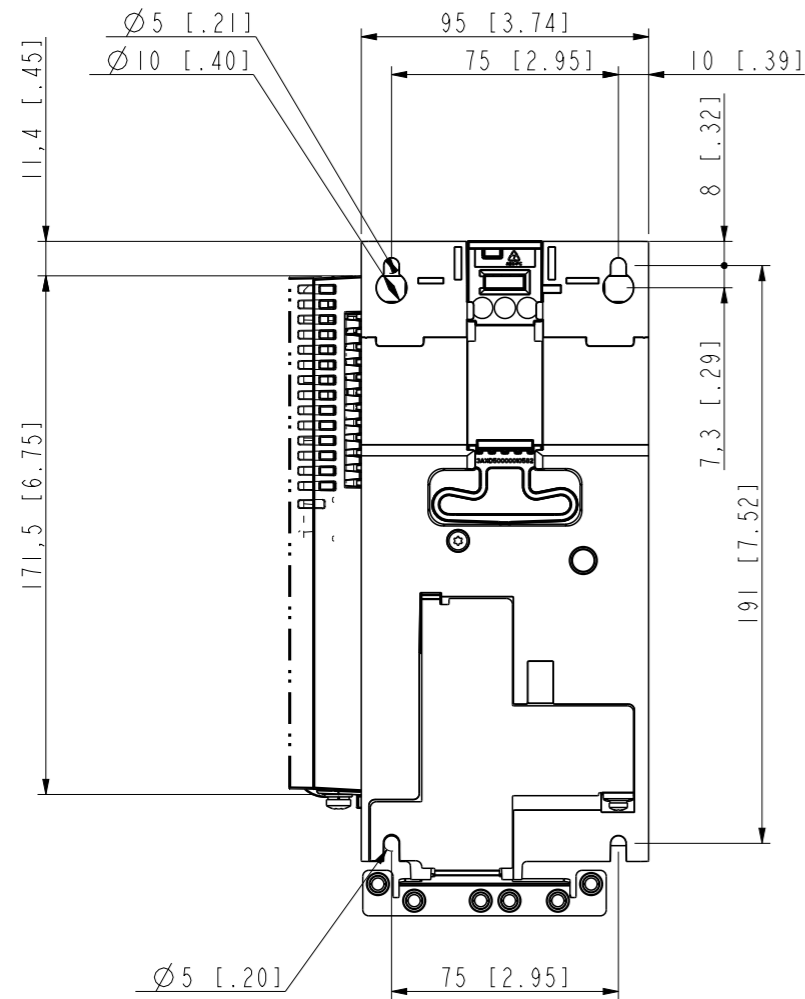
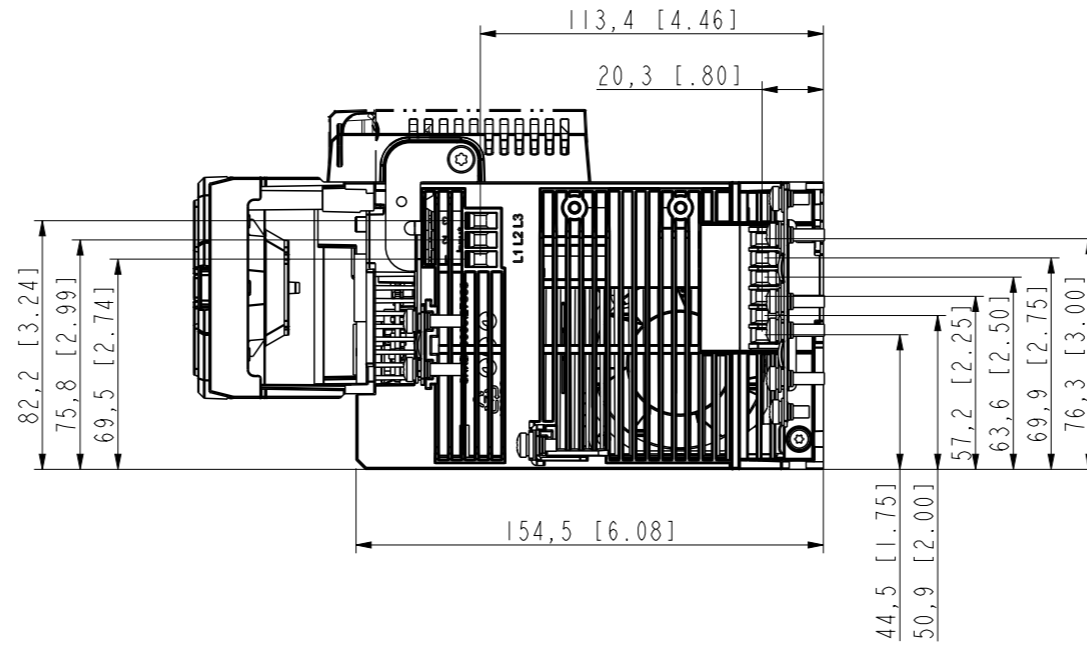


Based on	Customer	Prepared	A.Piirainen	01-Nov-17	Title	DIMENSION DRAWING		Doc. des.	DIMENSION DRAWING		Scale	2:5	Form	A3	Lang.	EN
		Check.	M.Valli	18-Jan-19		ACS/ACH480 R2 400V		Resp.dept.	Rev.ind.	C (AP)					Sheet	2
Cust. Doc. No.		Appr.	A.Tanczos	18-Jan-19				Doc. No.	3AXD50000168071						Total	4
DMS Number	3AXDI0000643370		Project name													



1	2	3	4	5	6	7	8
3AXD50000168071		C.6+		We reserve all rights in this document and in the information contained therein. Reproduction, use or disclosure to third parties without express authority is strictly forbidden.		First angle projection. Original drawing made with 3D CAD. Set the correct scale factor when adding dimensions after DWG/DXF conversion.	
ACS480_R2_400V (ASSEM)		-1.16		© ABB Oy. PROPRIETARY AND SECRET INFORMATION. CONFIDENTIAL			
B	Added sheet for UL Type I		19-Feb-18	A.Piirainen	500000921793		
C	New sheets for side options		17-Jan-19	A.Tanczos	500001054118		

Frame R2, IP20 +L511/L534/L535

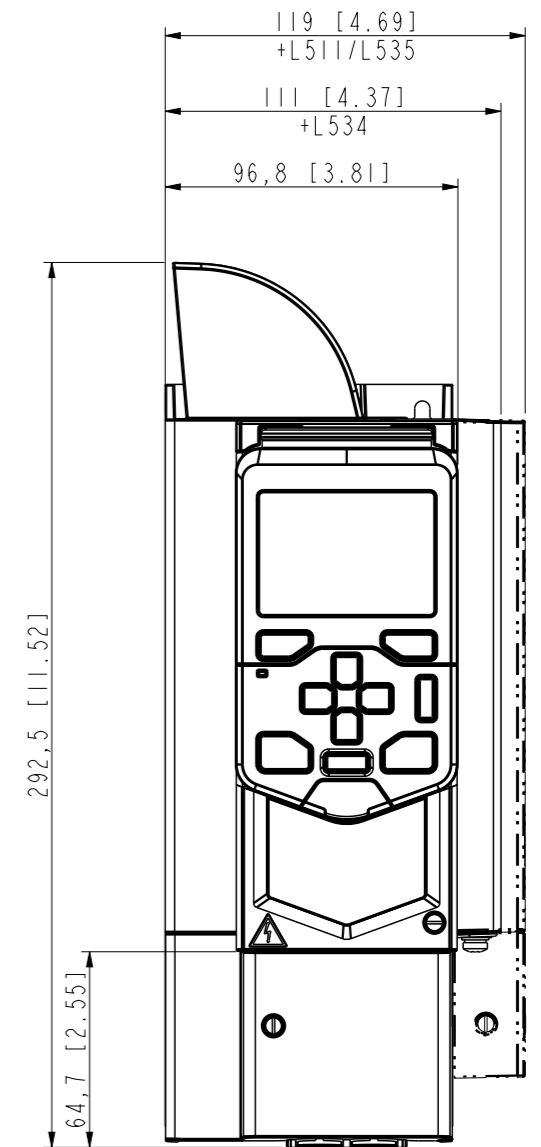
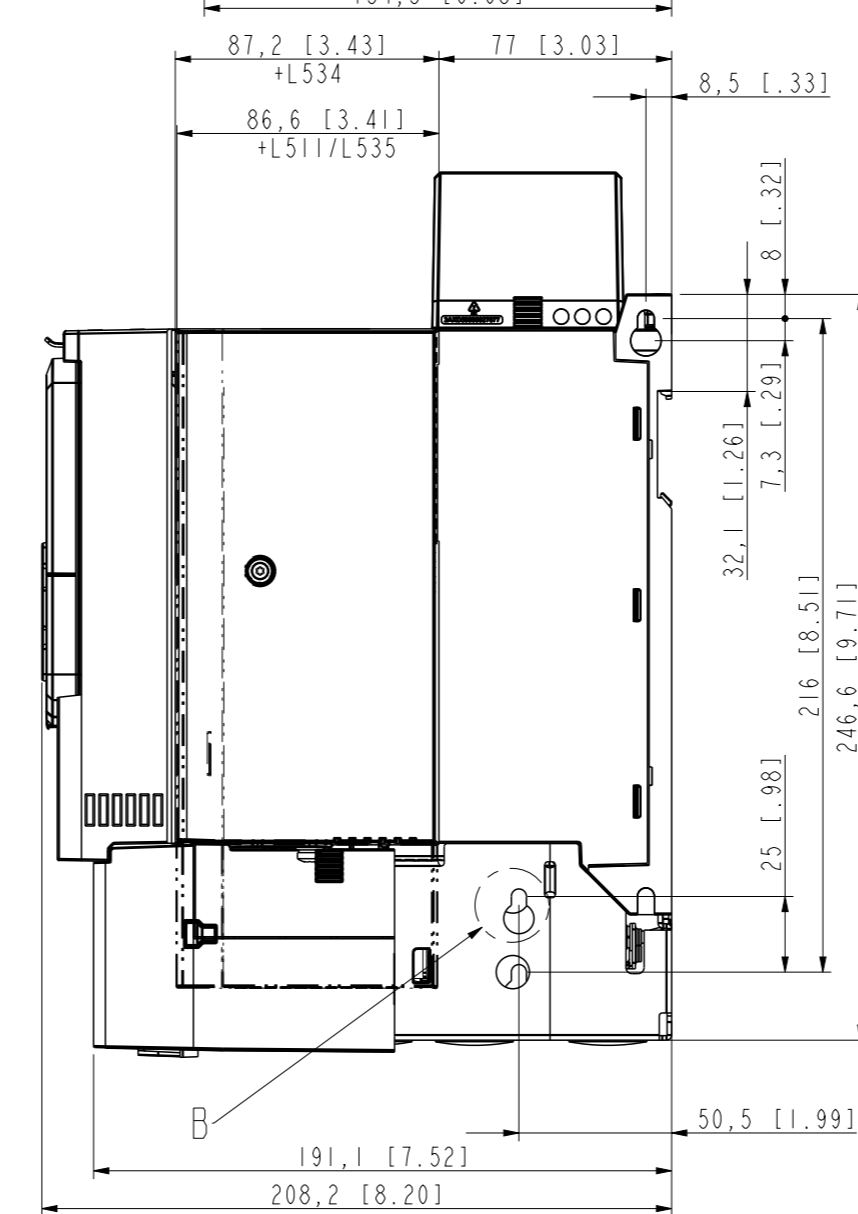
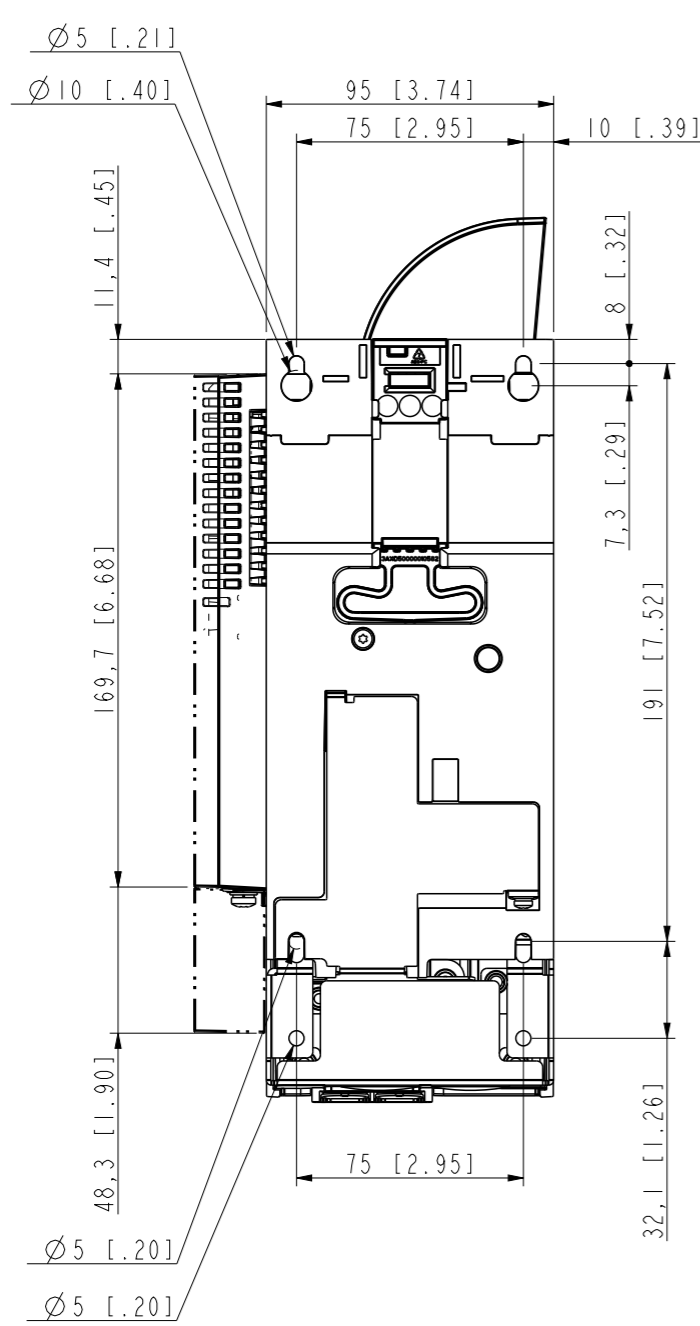
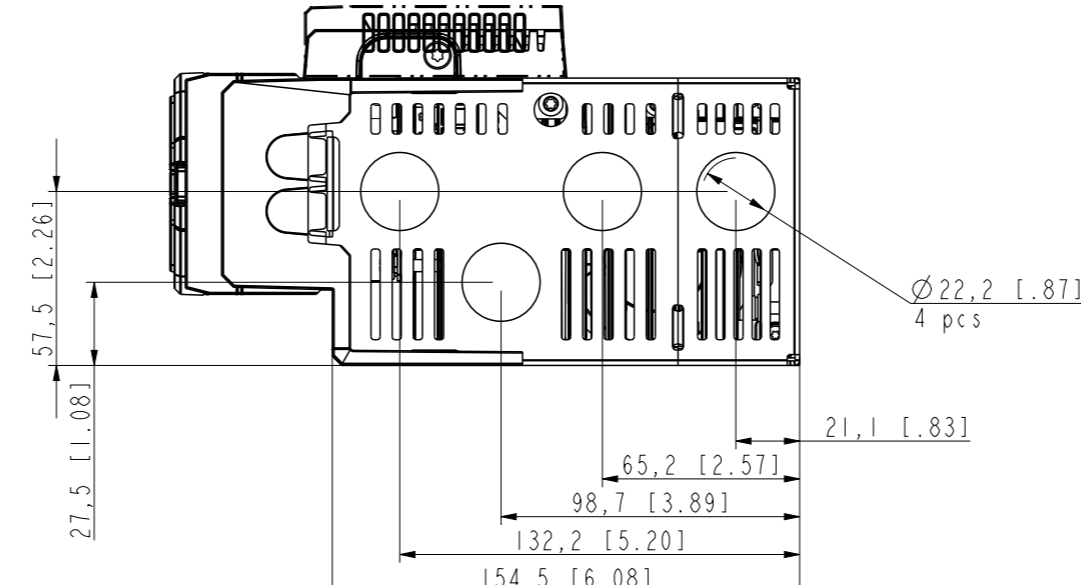
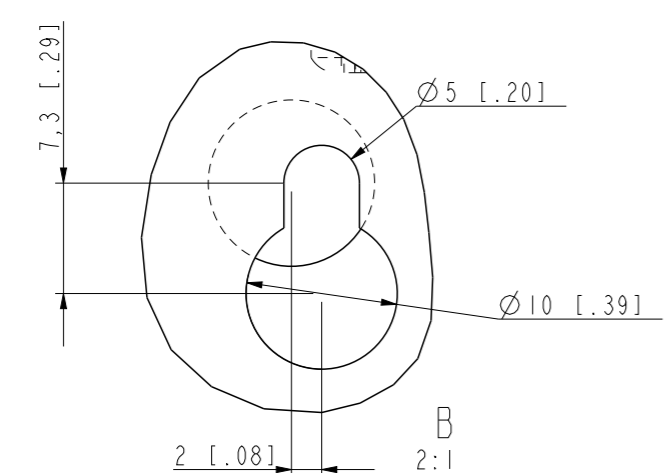


Based on	Prepared	A.Piirainen	01-Nov-17	Title	DIMENSION DRAWING		Doc. des.	Scale	Form		
Customer	Check.	M.Valli	18-Jan-19	ACS/ACH480 R2 400V		DIMENSION DRAWING	2:5	A3			
	Appr.	A.Tanczos	18-Jan-19				Resp.dept.	Rev.ind.	C (AP)	Lang.	EN
Cust. Doc. No.	Project name						Doc. No.	3AXD50000168071		Sheet	3
DMS Number	Weight kg	3547413358.79				Total	4				

3AXD50000168071 C.6+ We reserve all rights in this document and in the information contained therein. Reproduction, use or disclosure to third parties without express authority is strictly forbidden. First angle projection. Original drawing made with 3D CAD. Set the correct scale factor when adding dimensions after DWG/DXF conversion.

B	Added sheet for UL Type 1	19-Feb-18	A.Piirainen	500000921793
C	New sheets for side options	17-Jan-19	A.Tanczos	500001054118

Frame R2, UL Type 1 +L511/L534/L535



Based on	Prepared	A.Piirainen	01-Nov-17	Title	DIMENSION DRAWING		Doc. des.	Scale	Form	
Customer	Check.	M.Valli	18-Jan-19	ACS/ACH480 R2 400V		DIMENSION DRAWING	2:5	A3		
	Appr.	A.Tanczos	18-Jan-19				Rev.ind.	C (AP)	Lang.	EN
Cust. Doc. No.	Project name					Doc. No.	3AXD50000168071		Sheet	4
DMS Number	3AXDI0000643370	Weight kg	3547413358.79			Total	4			