

Membrane Type High Static Pressure

1200 SERIES



- Rugged, high working static pressure dry or liquid-filled gauge
- Ranges from 0 inH₂O to 100 inH₂O through 0 psid to 600 psid
- 4-1/2" and 6" gauge sizes
- Standard black anodized aluminum case
- 316 stainless steel wetted parts

APPLICATIONS

- Back flow testing
- Chemical processing
- Cryogenic systems
- Filter monitoring
- Flow indication
- Oilfield & offshore

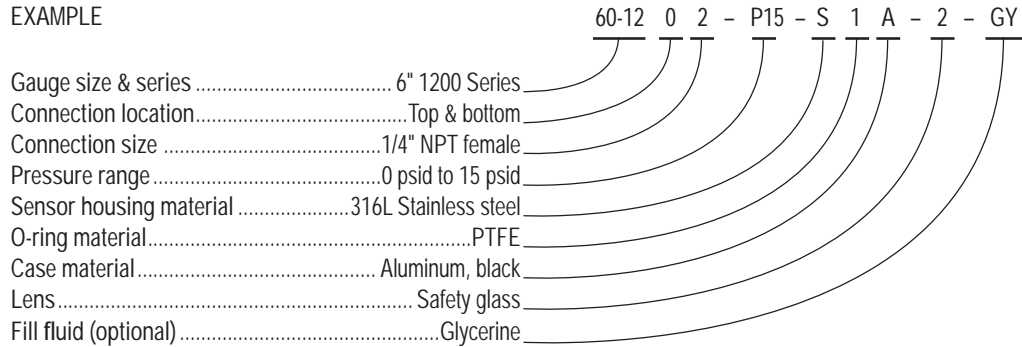
SPECIFICATIONS

Pressure ranges	0 inH ₂ O to 100 inH ₂ O through 0 psid to 600 psid
Max. working static pressure	3,000 psig
Accuracy	±1% of full scale or rising pressure
Temperature ranges	Media -40 °F to 200 °F (-40 °C to 93 °C) Ambient -40 °F to 200 °F (-40 °C to 93 °C) Storage -40 °F to 200 °F (-40 °C to 93 °C)
Measuring element	Monel 500
O-ring material	PTFE
Connection	1/4" NPT female, back connection
Sensor housing material	316L stainless steel
Case	Black anodized aluminum
Bezel	316L stainless steel
Lens	Acrylic
Pointer	Balanced aluminum, black finish
Dial	Aluminum, white background with black scale
Movement	Stainless steel
Gauge fill fluid	Glycerine

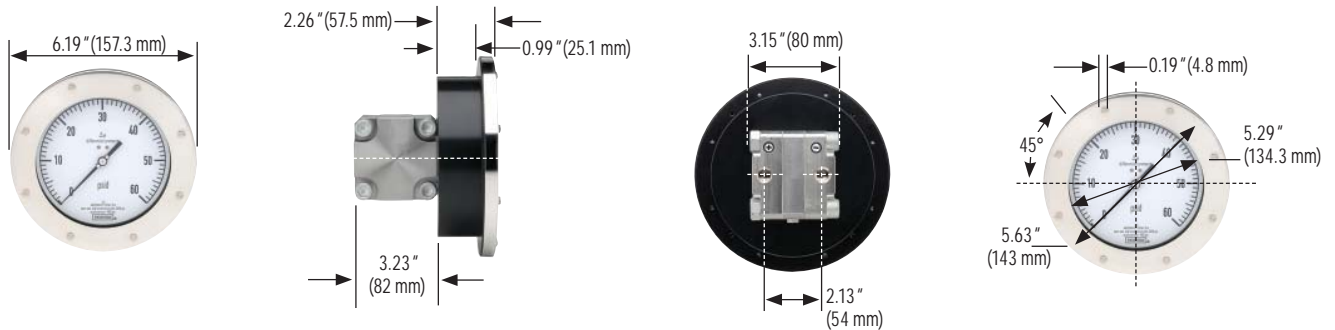
ORDERING INFORMATION						
GAUGE SIZES & SERIES	45 - 12	4-1/2"	60 - 12	6"		
CONNECTION LOCATIONS	0	Top & bottom	1	Back		
CONNECTION SIZE	2 1/4" NPT Female					
PRESSURE RANGES	W100	0 inH ₂ O to 100 inH ₂ O	W400	0 inH ₂ O to 400 inH ₂ O	P100	0 psid to 100 psid
	W150	0 inH ₂ O to 150 inH ₂ O	P15	0 psid to 15 psid	P230	0 psid to 230 psid
	W200	0 inH ₂ O to 200 inH ₂ O	P30	0 psid to 30 psid	P300	0 psid to 300 psid
	W300	0 inH ₂ O to 300 inH ₂ O	P60	0 psid to 60 psid	P400	0 psid to 400 psid
SENSOR HOUSING MATERIAL	S	316L Stainless steel				
O-RING MATERIAL	1 PTFE					
CASE MATERIALS	A	Aluminum, black	S	316L Stainless steel		
LENSES	1	Acrylic	2	Safety glass		
FILL FLUIDS (optional)	GY	Glycerine	SL	Silicone	HL	Halocarbon®

Please consult your local NOSHOK Distributor or NOSHOK, Inc. for availability and delivery information.

EXAMPLE



4-1/2" Gauge **Panel Cut-Out Dimensions**



6" Gauge **Panel Cut-Out Dimensions**

