

POLY-DISC® COUPLINGS

PT COMPONENTS

DODGE® POLY-DISC FLEXIBLE COUPLINGS RESIST CHEMICAL ATTACK



POLY-DISC flexible couplings use a non-metallic disc molded of a polyurethane compound to transmit torque. A special heat treatment after molding, refines the physical properties of the disc that allow it to remain pliable to cushion shock loads and still have resistance to most common chemicals such as acids, alkalis and petroleum products. The disc has an operating temperature range of -90° F to +170° F.

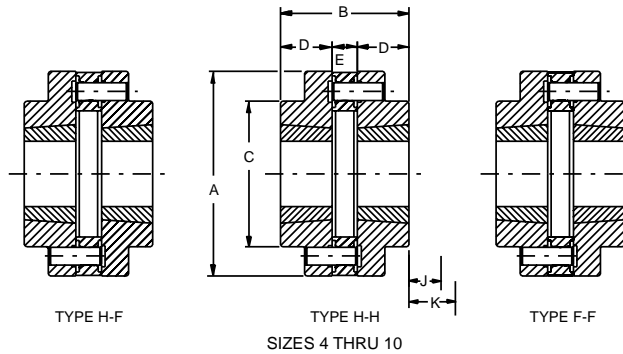
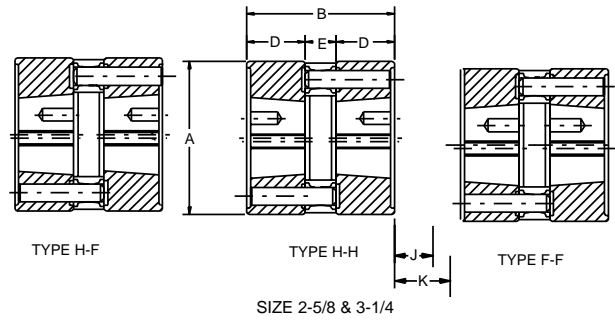
This coupling design features "captured pins" which reduce hole elongation in the element and pin wear on the flange. The disc has a light press fit over the pins which prevents the accumulation of abrasive particles between the disc and pins, eliminating sliding friction. Misalignments (2° angular, 1/32" parallel) are accommodated by the flexing of the element

rather than the clearance between disc and pins. Consequently, the POLY-DISC coupling offers longer life and smoother, quieter operation.

Automatic flange spacing, accomplished by space buttons molded into disc, speeds installation. The remaining parts of the coupling are machined all over. Both flanges are taper bored to receive TAPER-LOCK® bushings, which permit quick and easy installation on shafts of different diameters without costly reborring.

Shafts of 1/2" to 3-1/4" may be coupled by seven stock sizes of Poly-Disc. Three types—HH, HF, and FF—permit a choice of installing the bushings from inside or outside the face of the flange.

DODGE® POLY-DISC FLEXIBLE COUPLINGS RESIST CHEMICAL ATTACK



Coupling Size	Bushing Size	Min. Bore	Max. Bore	Hp/100	Torque (in-lb)	Max. RPM	A	B	C	D	E	J	K	Weight (Lbs)	Inertia (Lb-Ft ²)	Hole In disc
2-5/8	1008	1/2	1	0.29	180	3600	2.63	2.56	2.63	1.00	0.69	0.63	0.75	2.5	2.3	6
3-1/4	1210	1/2	1-1/4	0.57	360	3600	3.25	2.88	3.25	1.13	0.75	0.81	1.06	4.15	6.2	6
4	1215	1/2	1-1/4	0.95	600	3600	4.00	3.63	2.63	1.50	0.63	0.81	1.06	5.8	10	8
5-1/4	1615	1/2	1-11/16	2.29	1440	3600	5.25	3.75	3.25	1.50	0.75	0.81	1.06	12.1	34.4	8
7	2517	1/2	2-11/16	4.6	2900	3000	7.00	4.38	4.97	1.75	0.88	1.00	1.63	25.9	141.2	10
8	2517	1/2	2-11/16	10	6300	2400	8.00	4.63	5.00	1.75	1.13	1.00	1.63	34.1	246.7	12
10	3030	15/16	3-1/4	17.26	10900	2000	10.00	7.5	6.00	3.00	1.50	1.31	2.69	77.7	866	12



POLY-DISC Part Numbers

Coupling Size	Bushing Size	T-L Flanges (2) Req'd		Disc (1) Req'd
		Type H	Type F	
2-5/8	1008	008057	008058	008030
3-1/4	1210	008059	008060	008031
4	1215	008041	008040	008032
5-1/4	1615	008043	008042	008033
7	2517	008045	008044	008034
8	2517	008047	008046	008035
10	3030	008049	008048	008036

Complete coupling consists of:
 (2) TAPER-LOCK Flanges (as selected) and (1) POLY-DISC Element.
 NOTE: TAPER-LOCK bushings ordered separately.



World Headquarters

P.O. Box 2400, Fort Smith, AR 72902-2400 U.S.A., Ph: (1) 479.646.4711, Fax (1) 479.648.5792, International Fax (1) 479.648.5895

Baldor - Dodge

6040 Ponders Court, Greenville, SC 29615-4617 U.S.A., Ph: (1) 864.297.4800, Fax: (1) 864.281.2433

www.baldor.com